

6S50机心组装指南

When you use the blower to clean up dust, please make sure to set the date dial at "09", "19" or "29".

通知

当你用吹尘设备吹去机心灰尘时，请先将日历调到"09","19"或"29"后进行。

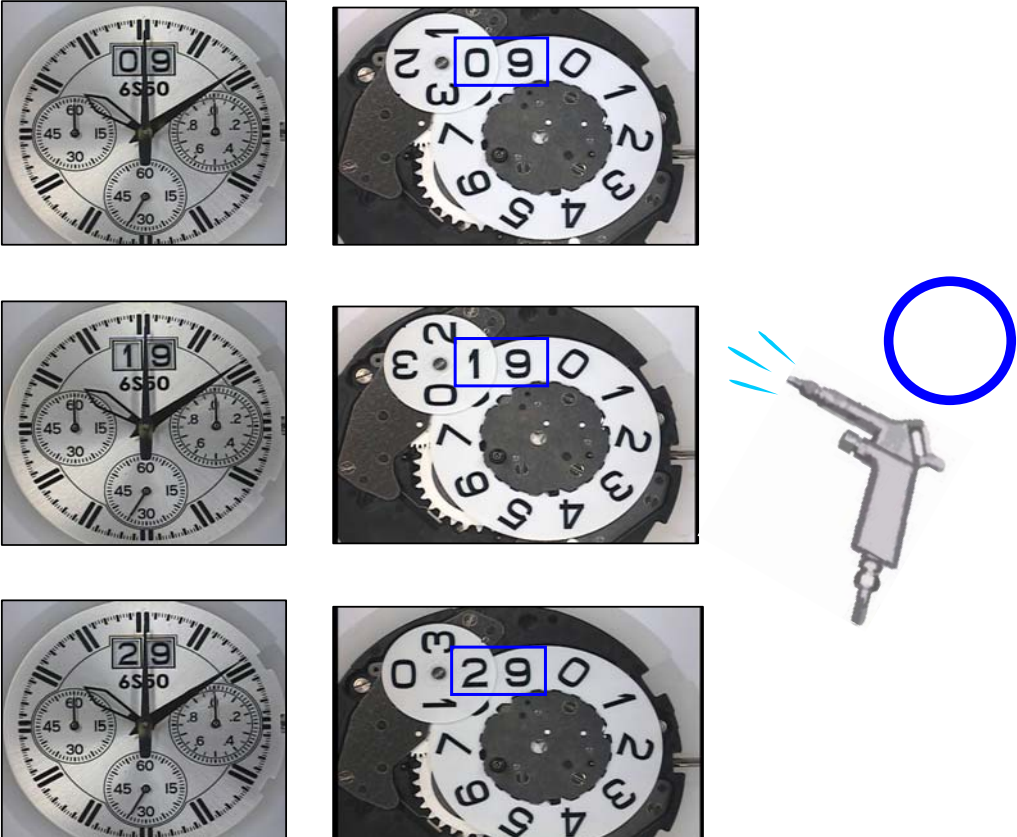
NG



* When the date dial is **not** set at "09", "19", "29" please **do not** use the blower (not even over the dial).

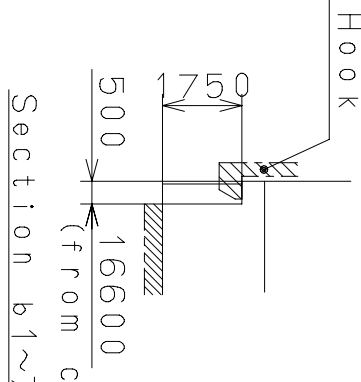
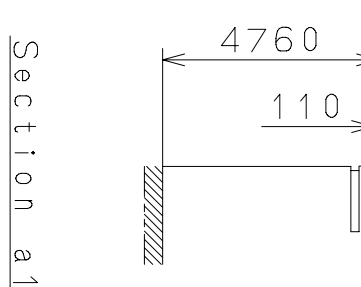
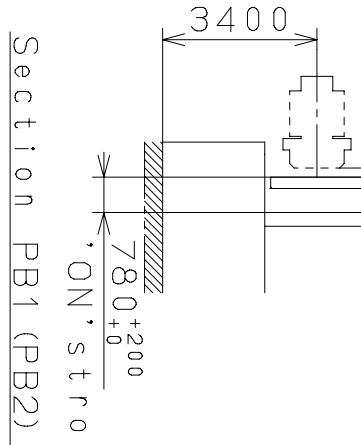
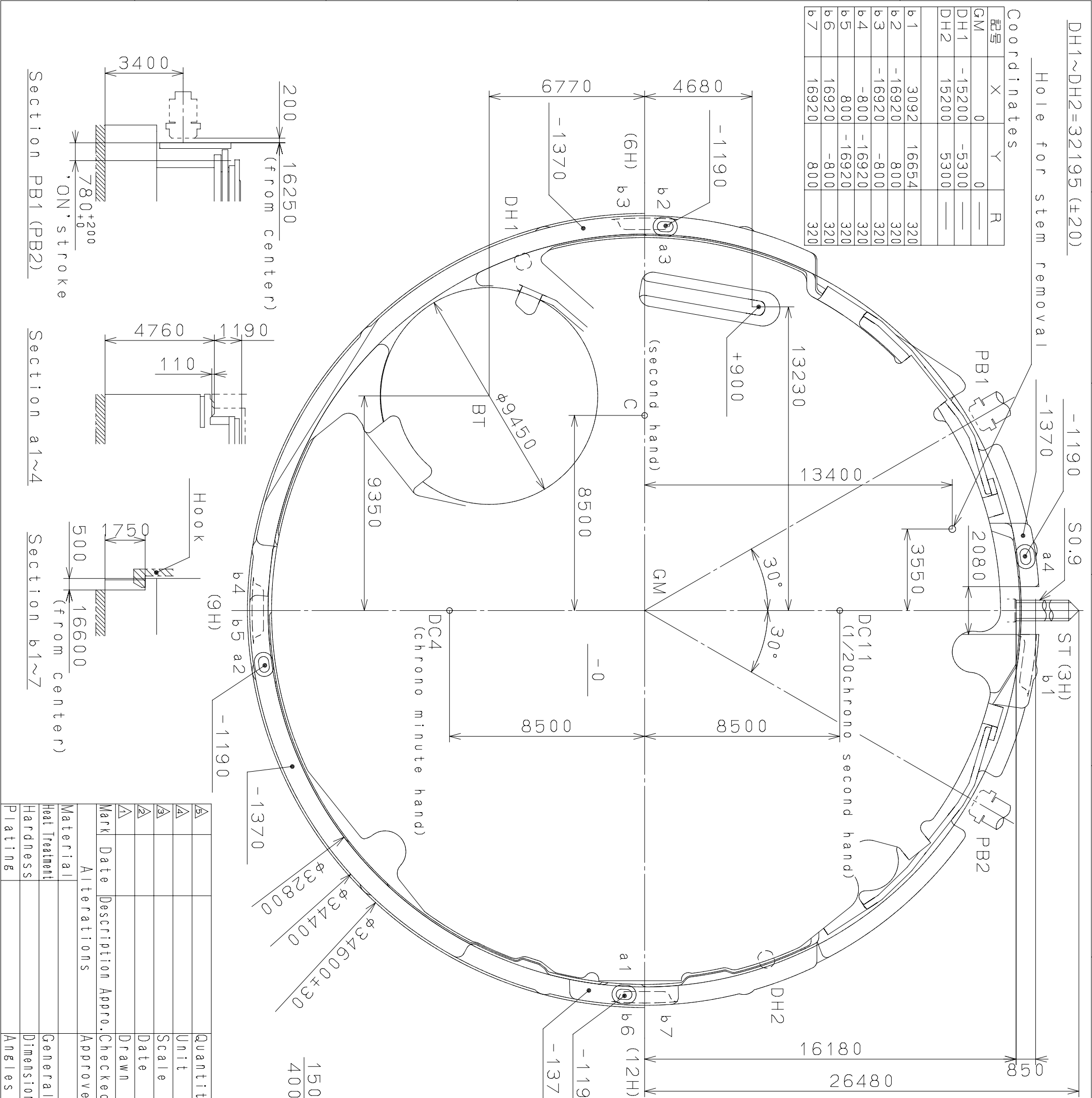
* 当日历不在09, 19, 29位置时，勿对表盘使用吹尘设备

OK



Hole for stem removal

記号	X	Y	R
GM	0	0	—
DH1	-15200	-5300	—
DH2	15200	5300	—
b1	3092	16654	320
b2	-16920	800	320
b3	-16920	-800	320
b4	-800	-16920	320
b5	800	-16920	320
b6	16920	-800	320
b7	16920	800	320



Mark	Date	Description	Appr.	Checked	Drawn	Approved	Name:
Δ							N. Suzuki
△							
△							
△							
△							
△							
△							

Alterations

Material

Heat Treatment

Hardness

Plating

General Tolerances

Dimensions

Angles

Quantity

Unit

Scale

Date

Checked

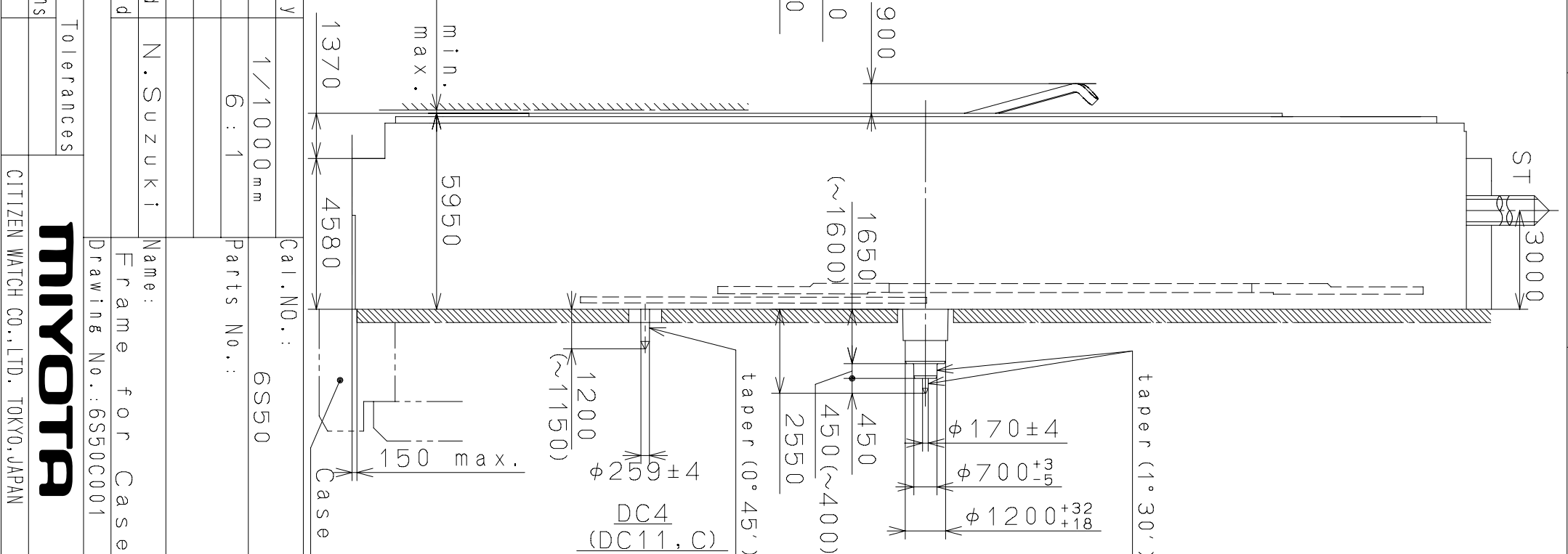
Approved

Cal. NO.: G550

Parts No.:

Frame for Case

Drawing No.: G550C001

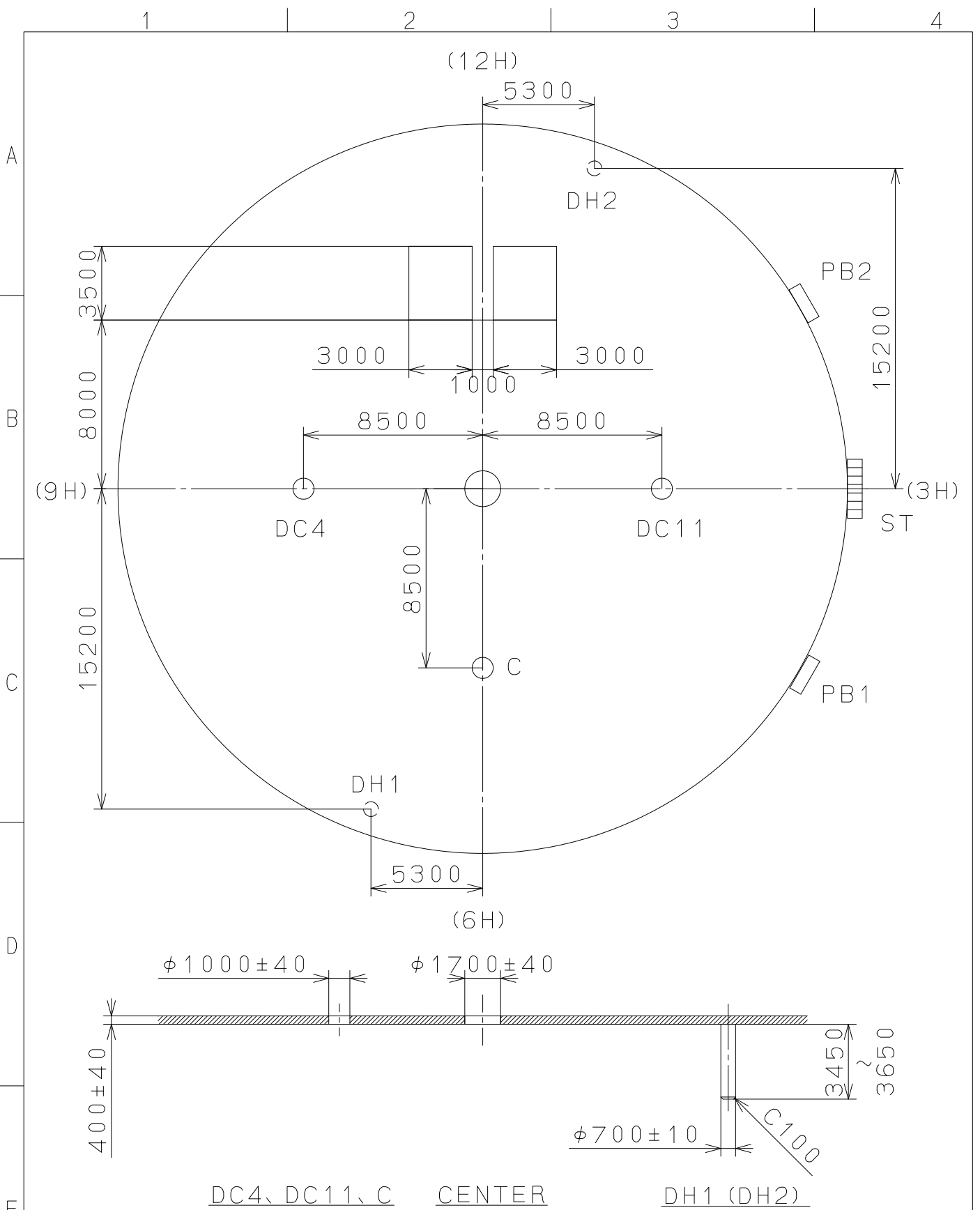


MIYOTA

CITIZEN WATCH CO., LTD. TOKYO, JAPAN

2011/02/25 (10:10:16)

This drawing is provisional and subject to our reconfirmation and/or revision without notice.



DC4, DC11, C

CENTER

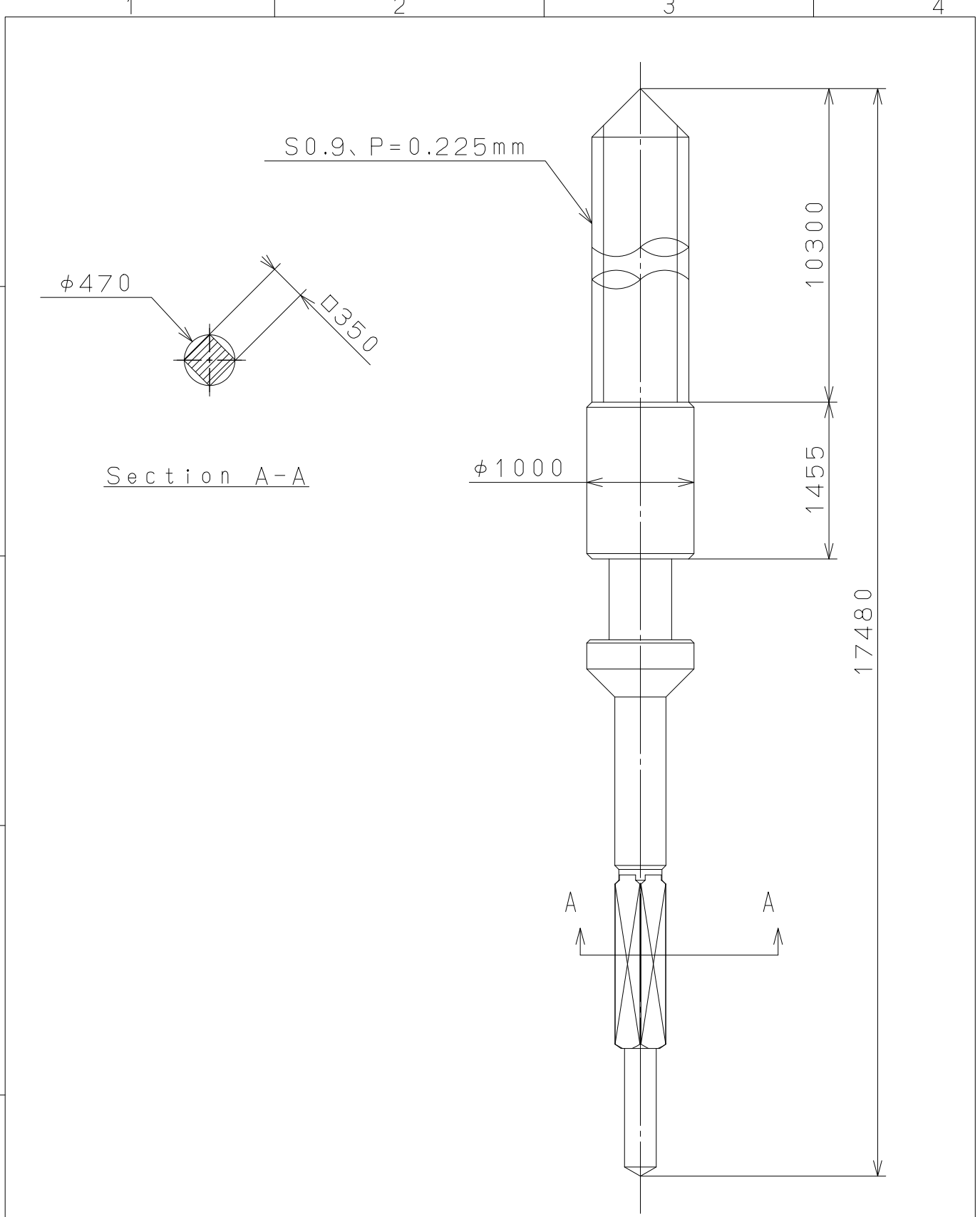
DH1 (DH2)

△			Quantity		Cal.NO.:
△			Unit	1/1000 _{mm}	6S50-00A
△			Scale	4:1	Parts No.:
△			Date		
△			Drawn		
Mark	Date	Description	Appr.	Checked	Name:
		Alterations		Approved	Indications for Dial
Material					Drawing No.: 6S50D000
Heat Treatment				General Tolerances	MIYOTA
Hardness				Dimensions	
Plating				Angles	
					CITIZEN WATCH CO., LTD. TOKYO, JAPAN

2010/07/26 (09:03:08)

This drawing is provisional and subject to our reconfirmation and/or revision without notice.

A
B
C
D
E
F



△5			Quantity		Cal.NO.:
△4			Unit	1/1000 mm	
△3			Scale	20:1	Parts No.:
△2			Date		065-A13
△1			Drawn		
Mark	Date	Description	Appr.	Checked	Name:
		Alterations	Approved	N. Suzuki	SETTING STEM
Material					Drawing No.: A130S000
Heat Treatment			General Tolerances	MIYOTA CITIZEN WATCH CO., LTD. TOKYO, JAPAN	
Hardness			Dimensions		
Plating			Angles		