

Watch Movement Specification and Drawing

Slim / Small Movement

VJ32B



Movement Size: **10½"**
 Diameter: **Φ23.70mm**
 Height: **2.71mm**

Items	Ver.	Items	Ver.
Specification	1		
Appearance	1		
Casing	1		
Hand Fitting	1		
Hand Setting Stem	1		
Dial - 1	1		
Dial - 2	1		
Dial - 3	1		
Casing Ring	1		
Assembly Plan	1		
Hands	1		

CAL.VJ32B 10½ Ligne Quartz Movement

Three Hands with Date

1. FUNCTION

- Jewel 0 jewel
- Accuracy Less than ± 20 seconds / month (Normal temperature range)
- Battery life Approx. 3 years
- Regulation hands unbalance
 - Hour hand : Less than $0.30 \mu\text{N}\cdot\text{m}$ (30 mg·mm)
 - Minute hand : Less than $0.30 \mu\text{N}\cdot\text{m}$ (30 mg·mm)
 - Second hand : Less than $0.07 \mu\text{N}\cdot\text{m}$ (7 mg·mm)
- Additional function Date display with quick date correction

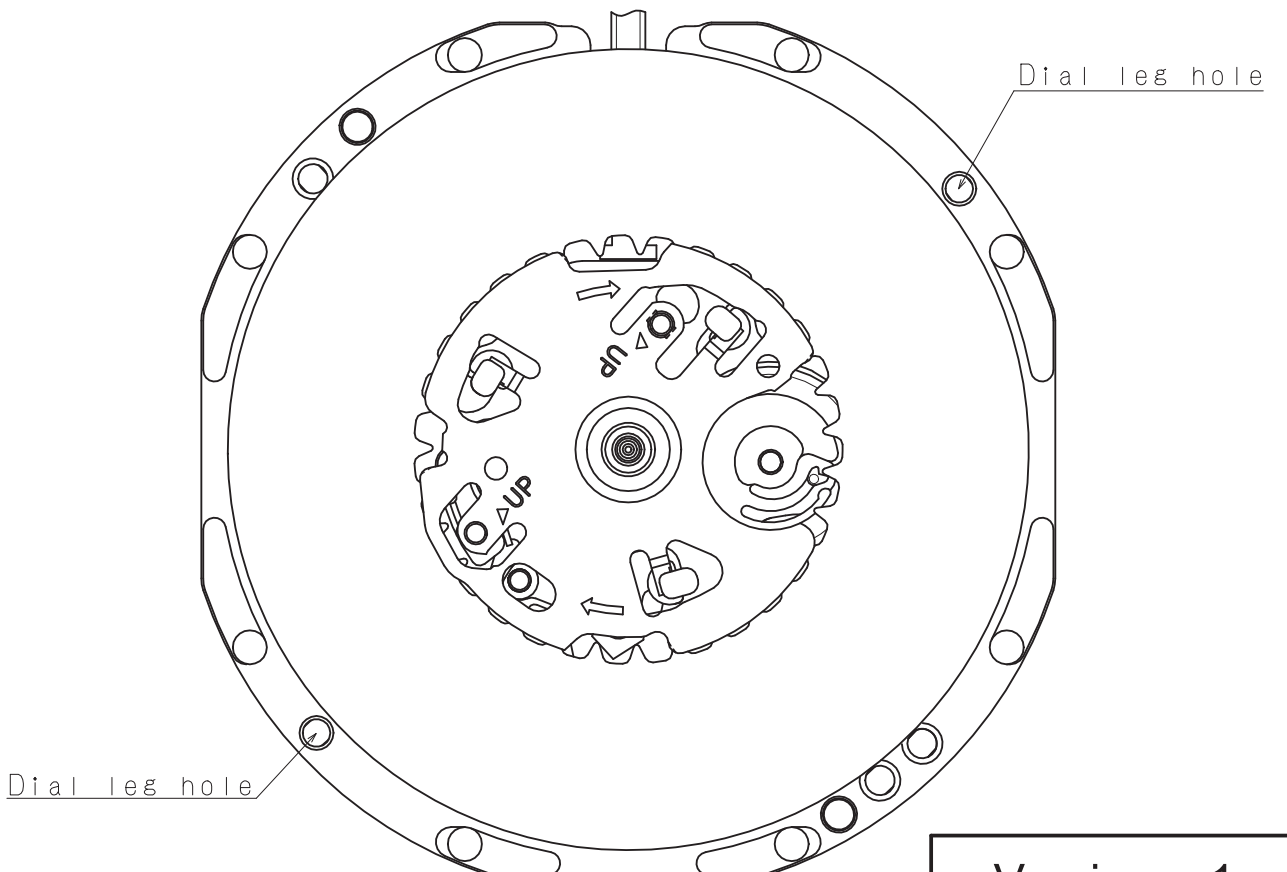
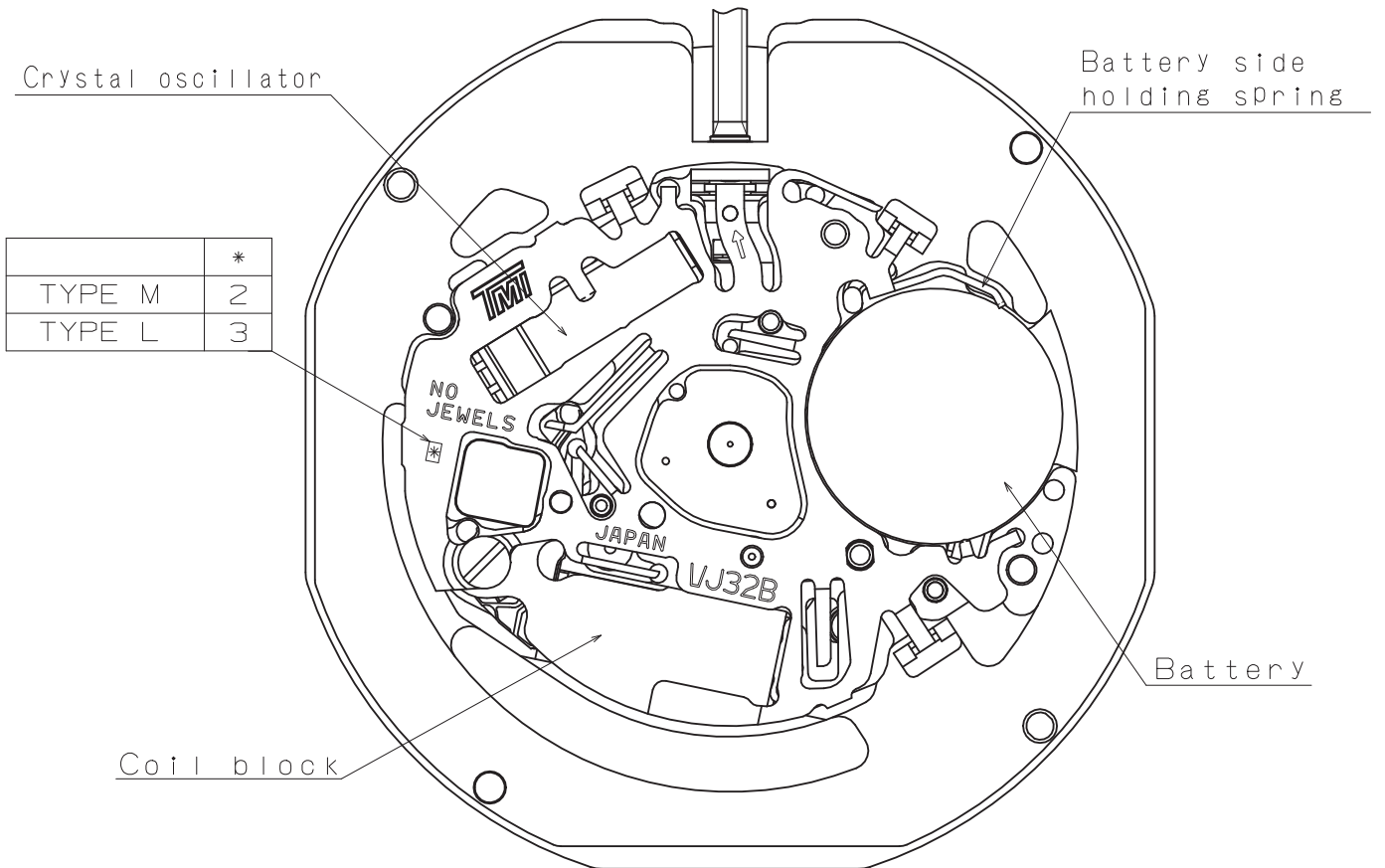
2. USE AND TEST CONDITION

- Battery SR621SW (Recommended battery is SEIZAIKEN)
- Operation temperature range From $-5\text{ }^{\circ}\text{C}$ to $+50\text{ }^{\circ}\text{C}$
- Antimagnetic $\geq 1600\text{ A/m}$ (Direct current magnetic field)
- Test of accuracy 10 seconds (Duration of measurement)

*** All specifications are subject to change without notice.**

Appearance

VJ32B

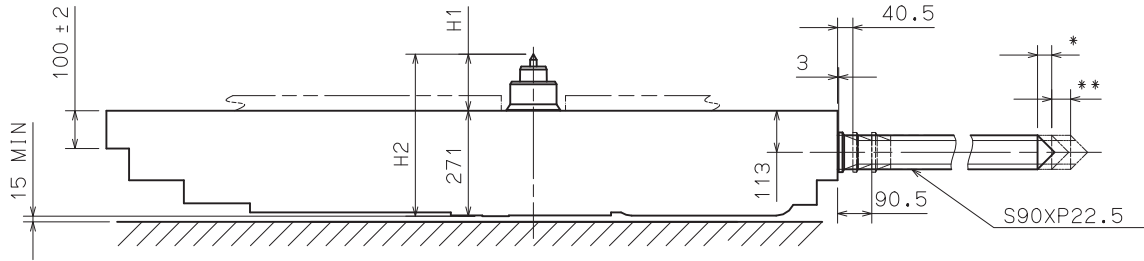


Version : 1

Battery Side holding spring Type.

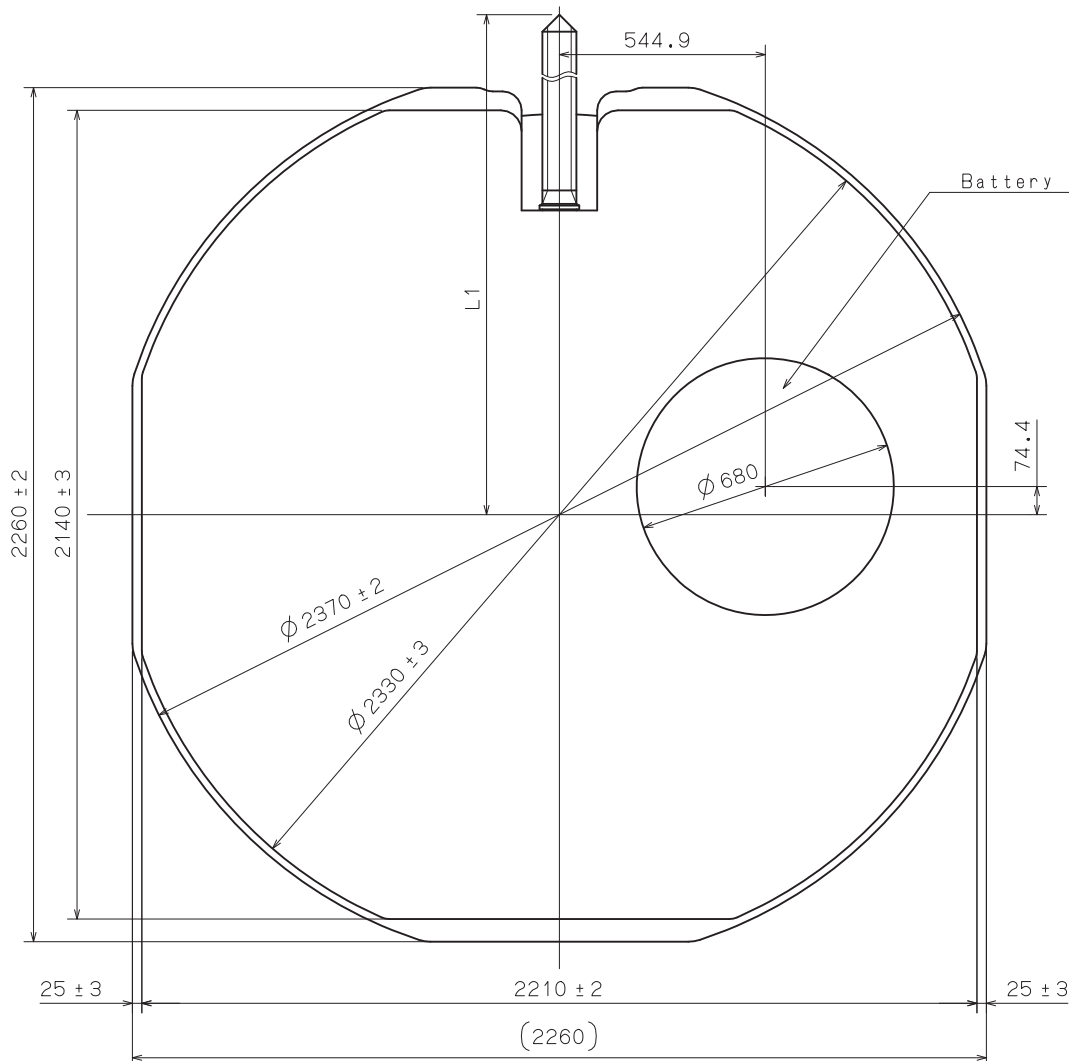
* First Pull out Stroke 37.5

** Second Pull out Stroke 50



Center post	中心柱位	TYPE M 一般針高	TYPE L 高針
Maximum height from main plate surface 與機芯平面的最大高度	H1	149.7	208.8
Total height incl. movement 機芯總高度	H2	420.7	479.8

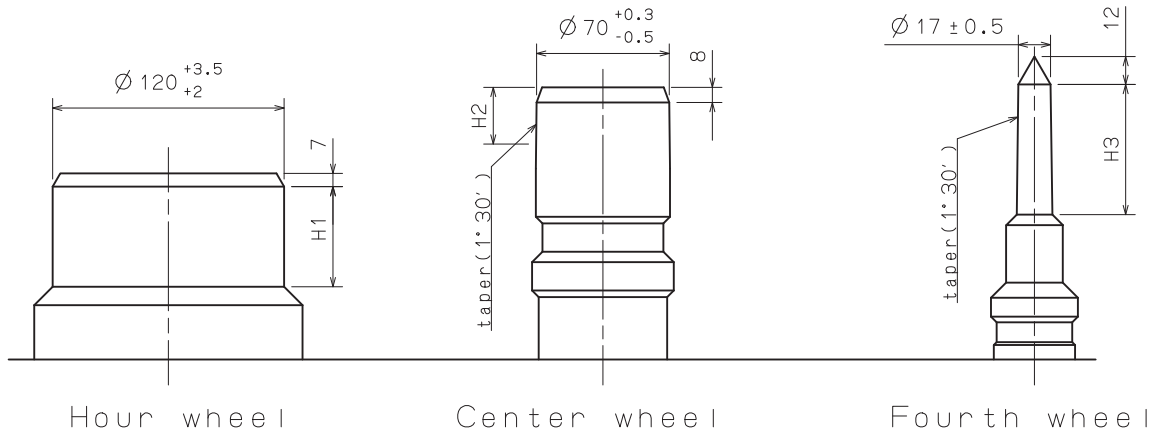
Hand Setting Stem	TYPE A	TYPE B
L1	2003	2413



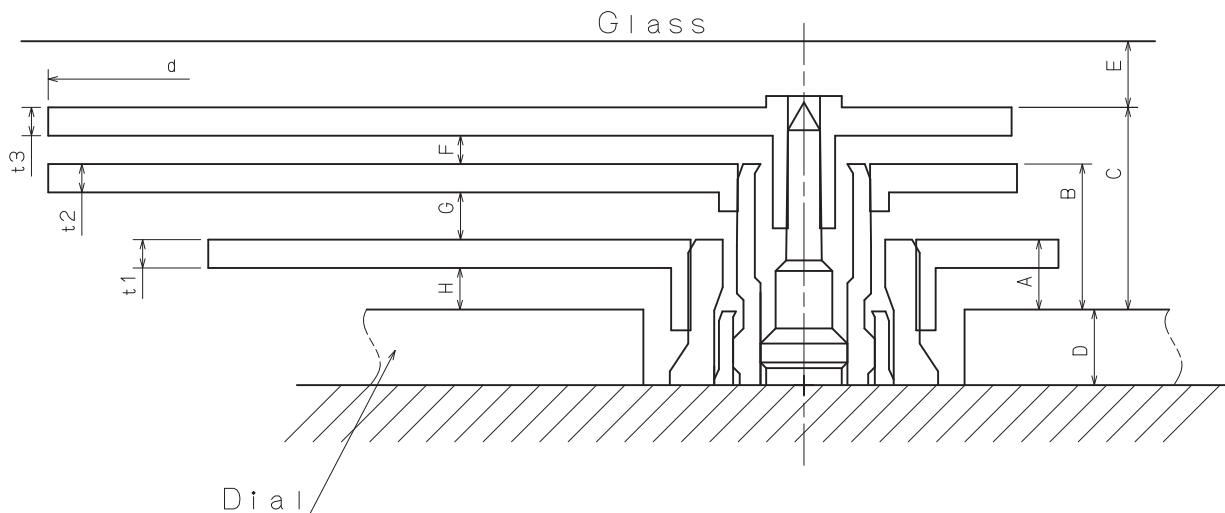
Unit : 1=1/100mm

Version : 1

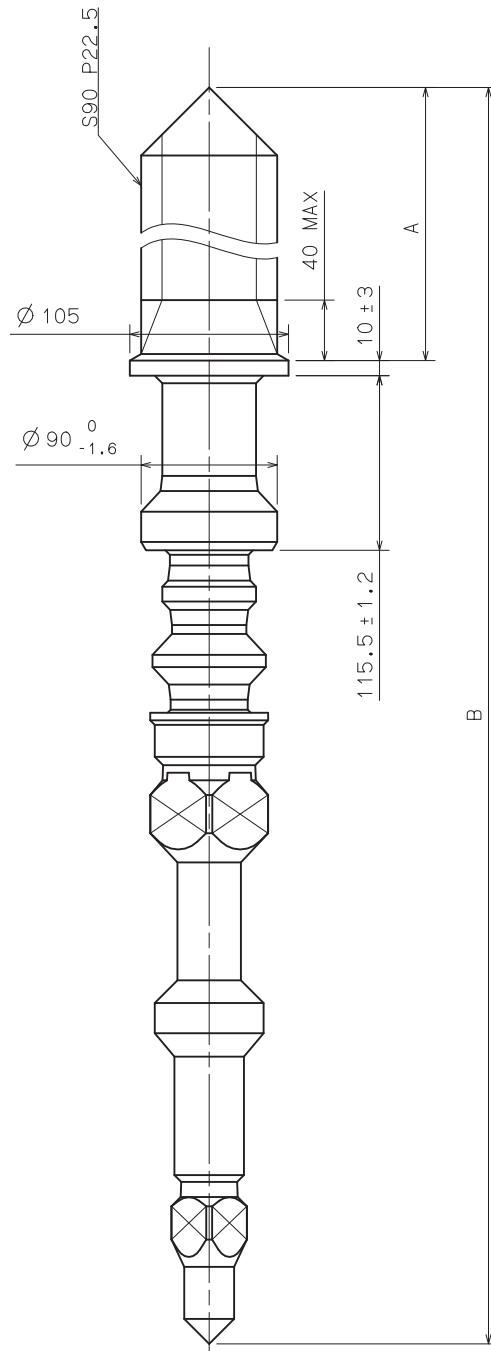
Hour hand unbalance $\leq 0.3 \mu\text{N}\cdot\text{m}$ (30mg·mm)
 Minute hand unbalance $\leq 0.3 \mu\text{N}\cdot\text{m}$ (30mg·mm)
 Second hand unbalance $\leq 0.07 \mu\text{N}\cdot\text{m}$ (7mg·mm)



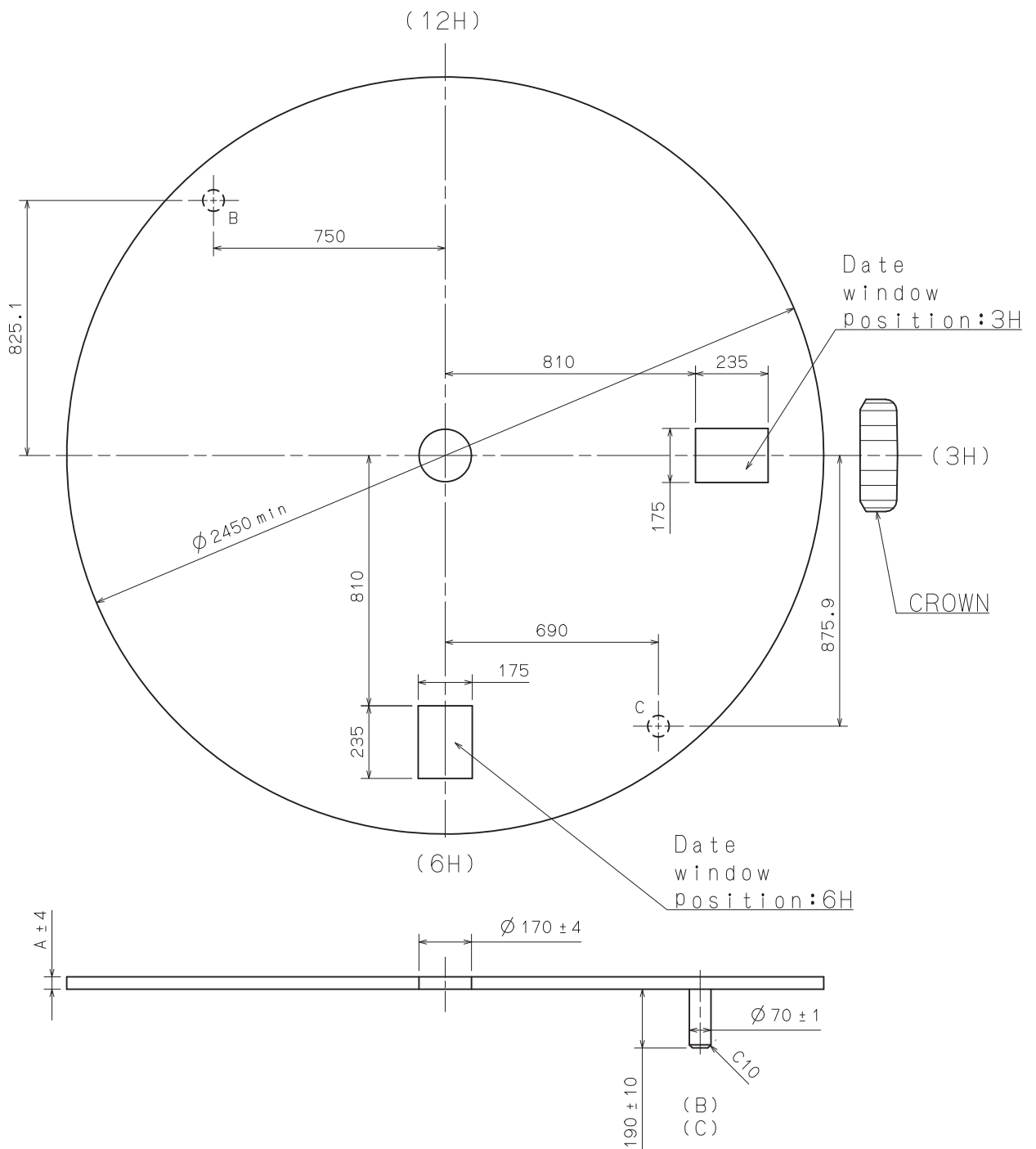
	Part No.			Dimension		
	Hour wheel 時針輪	Center wheel 分針輪	Fourth wheel 秒針輪	H1	H2	H3
TYPE M 一般針高	0273 021	0221 055	0144 097	48	27	69
TYPE L 高針	0273 023	0221 058	0144 098	57	27	69



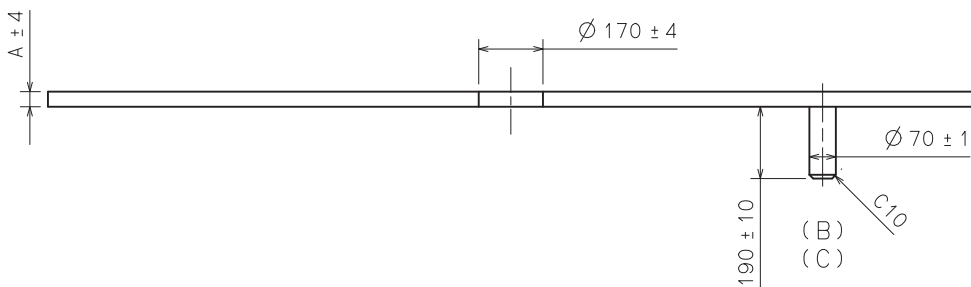
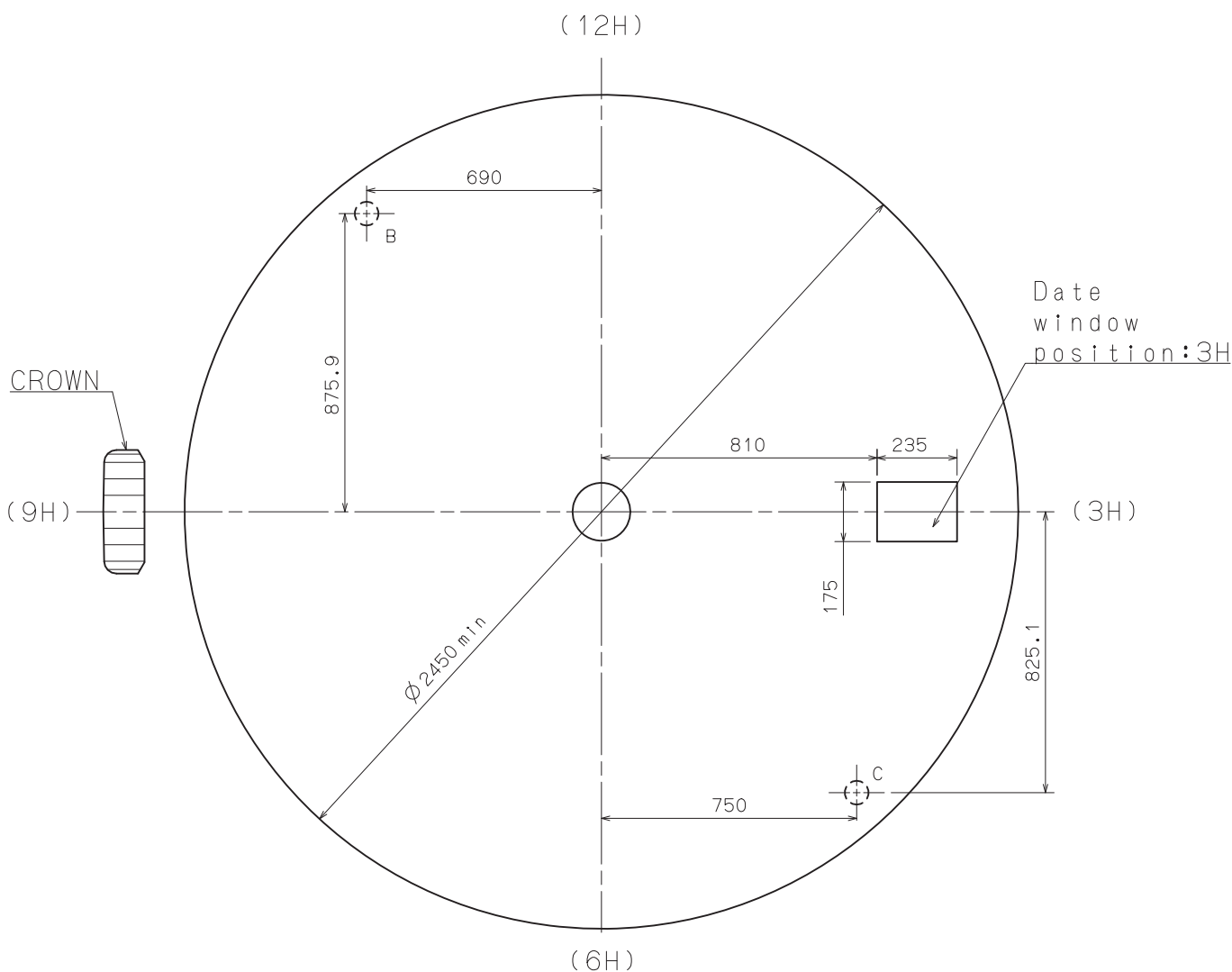
	A	B	C	D	E	F	G	H	t1	t2	t3	d
TYPE M 一般針高	37	77	107	40	35	15	25	22	15	15	15	∅ 2500
TYPE L 高針	37	86	121	85	35	20	34	22	15	15	15	∅ 2500



	Part No.	A	B
TYPE A	0351 332	1185	1835.5
TYPE B	0351 001	1595	2245.5



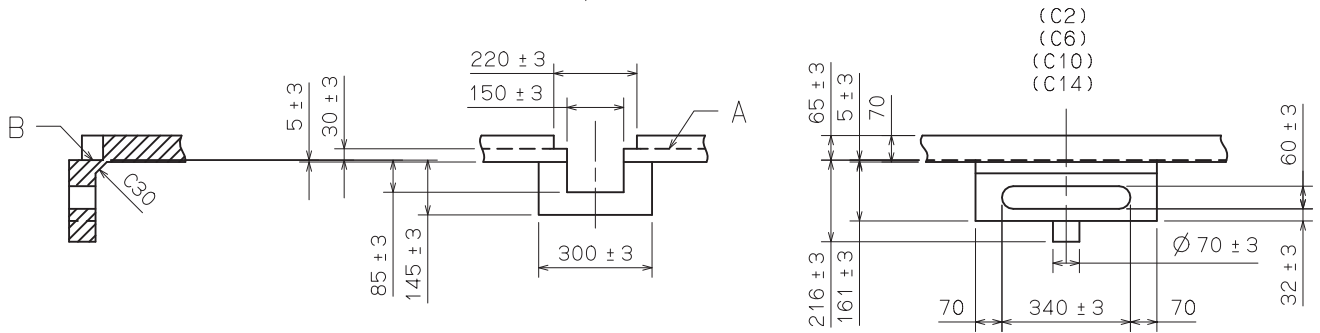
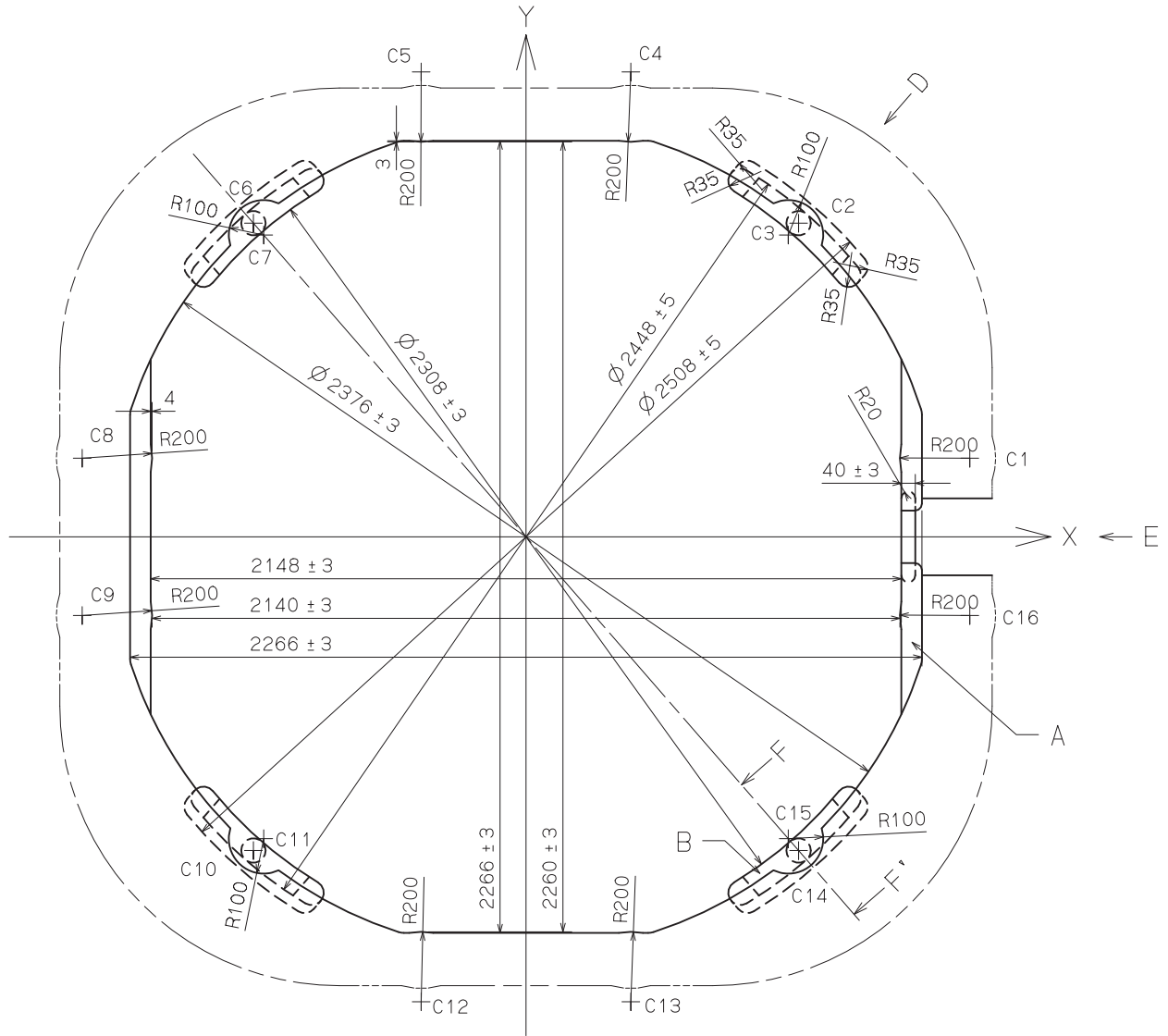
	TYPE M	TYPE L
A	40	85



	TYPE M	TYPE L
A	40	85

Casing Ring

VJ32B



SECTIONAL VIEW of F-F'

SIDE VIEW from E DIRECTION

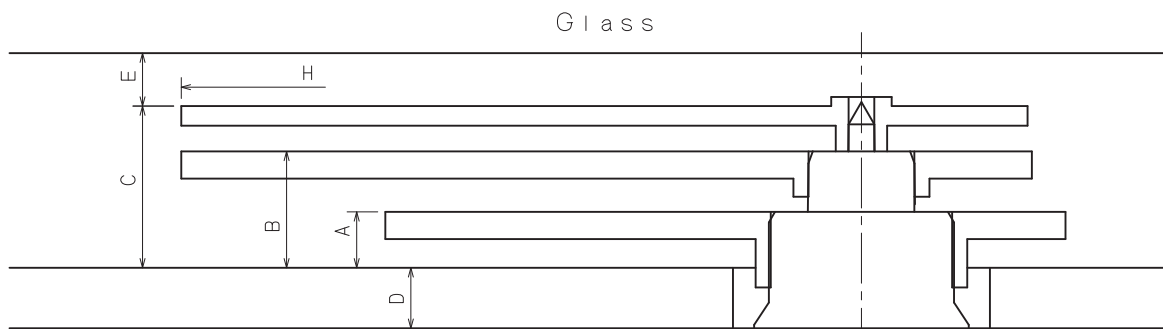
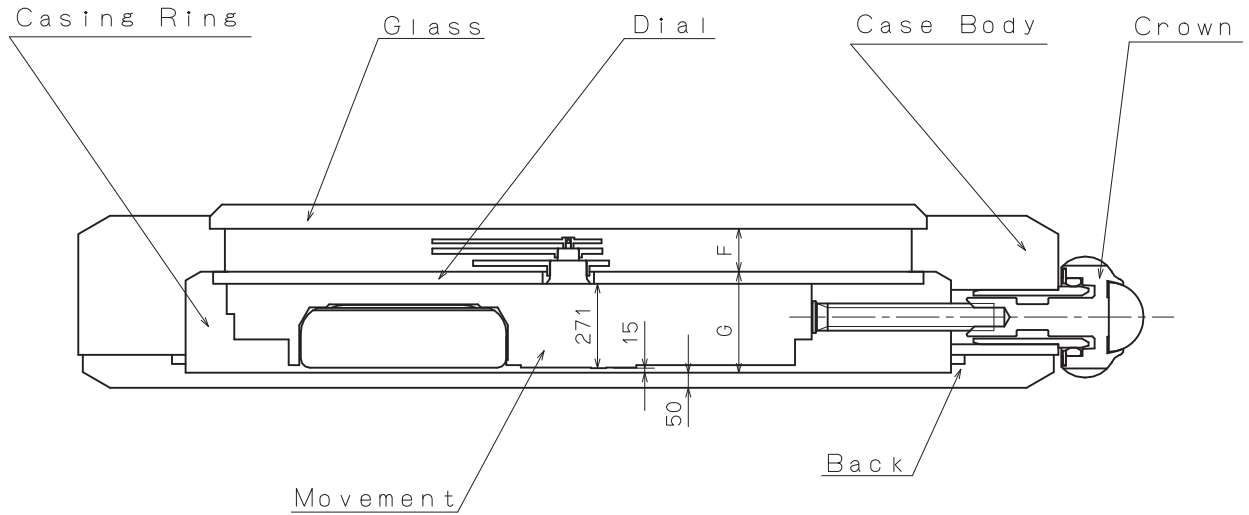
SIDE VIEW from D DIRECTION

No.	X	Y
C1	1270.00	225.00
C2	780.05	897.35
C3	750.53	863.39
C4	300.00	1130.00
C5	-300.00	1130.00
C6	-780.05	897.35
C7	-750.53	863.39
C8	-1270.00	225.00

No.	X	Y
C9	-1270.00	-225.00
C10	-780.05	-897.35
C11	-750.53	-863.39
C12	-300.00	-1130.00
C13	300.00	-1130.00
C14	780.05	-897.35
C15	750.53	-863.39
C16	1270.00	-225.00

Unit : 1=1/100mm

Version : 1



	A	B	C	D	E	F	G	H
TYPE M	37	77	107	40	35	142	326	∅ 2500
TYPE L	37	86	121	85	35	156	371	∅ 2500

