

## Watch Movement Specification and Drawing

Slim / Small Movement

# VJ43B



Movement Size: **11½"**  
 Diameter: **Φ26.40mm**  
 Height: **2.94mm**

Items	Ver.	Items	Ver.
Specification	1	Dial - 8	1
Appearance - 1	1	Dial - 9	1
Appearance - 2	1	Casing Ring	1
Casing	1	Assembly Plan	1
Hand Fitting	1	Hands	1
Hand Setting Stem	1		
Dial - 1	1		
Dial - 2	1		
Dial - 3	1		
Dial - 4	1		
Dial - 5	1		
Dial - 6	1		
Dial - 7	1		

## CAL.VJ43B 11½ Ligne Quartz Movement

### Three Hands with Date & Day

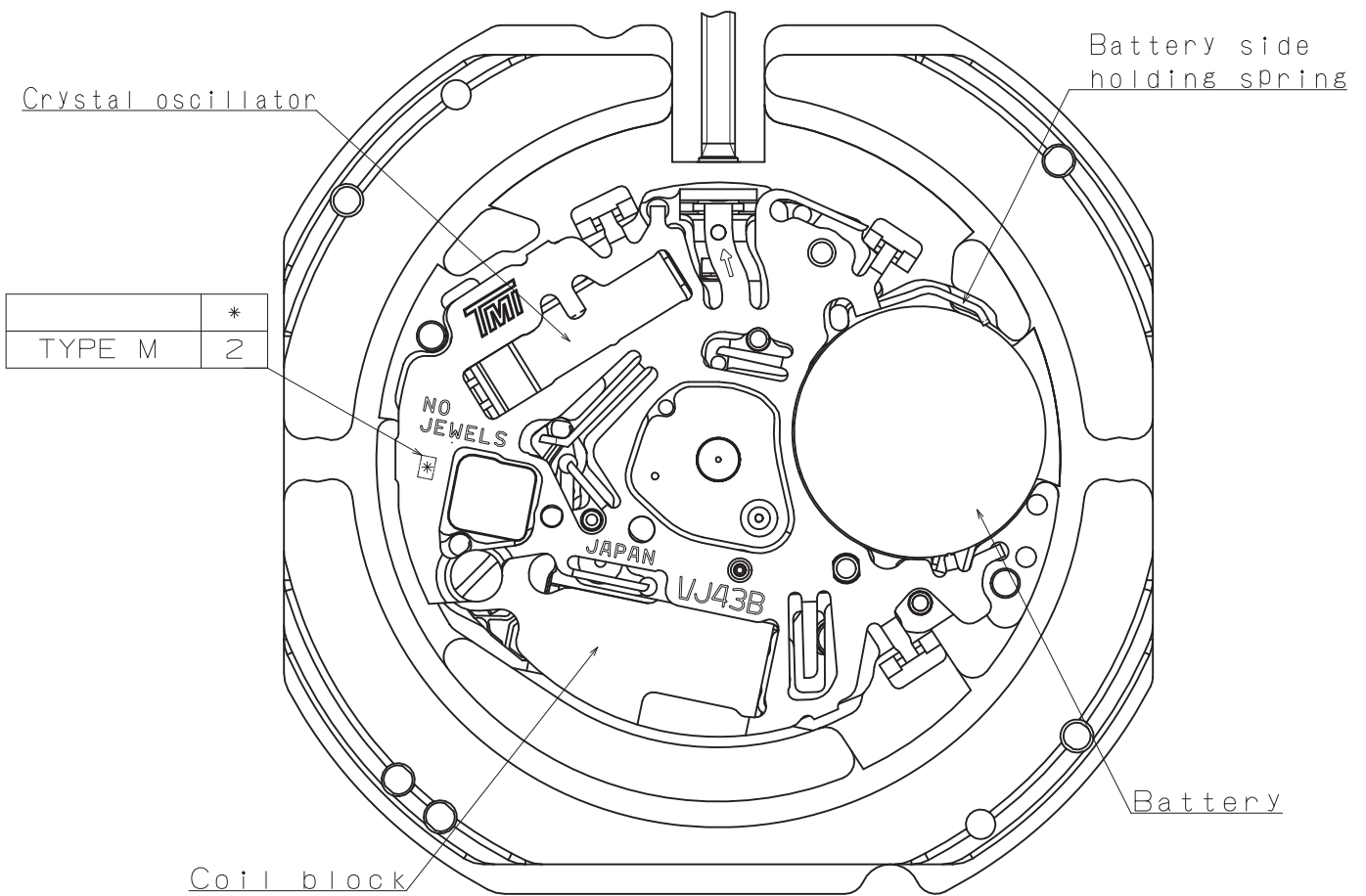
#### 1. FUNCTION

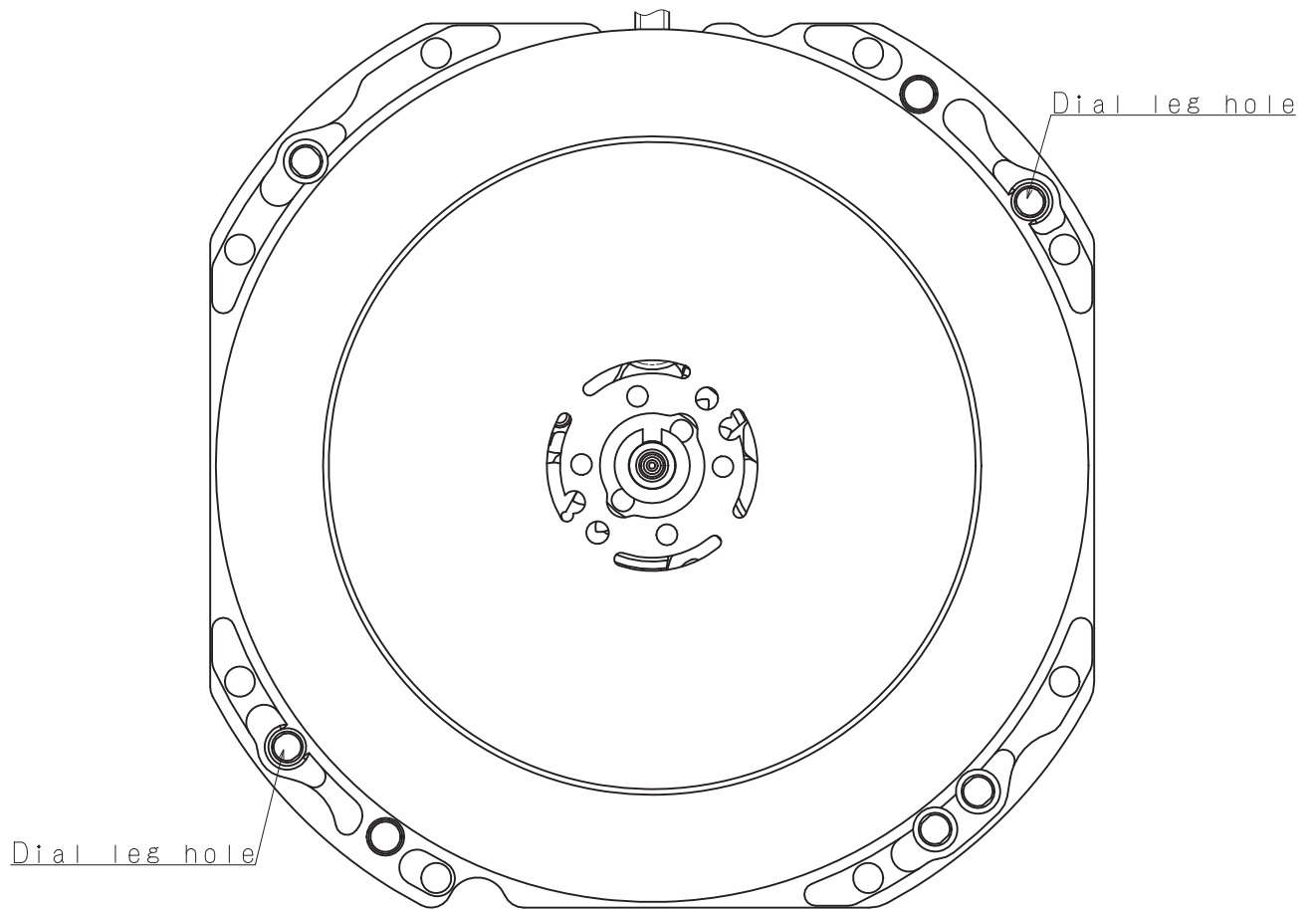
- Jewel 0 jewel
- Accuracy Less than  $\pm 20$  seconds / month (Normal temperature range)
- Battery life Approx. 3 years
- Regulation hands unbalance
  - Hour hand : Less than  $0.30 \mu\text{N}\cdot\text{m}$  ( 30 mg·mm )
  - Minute hand : Less than  $0.30 \mu\text{N}\cdot\text{m}$  ( 30 mg·mm )
  - Second hand : Less than  $0.07 \mu\text{N}\cdot\text{m}$  ( 7 mg·mm )
- Additional function Date & Day display with quick date & day correction

#### 2. USE AND TEST CONDITION

- Battery SR621SW (Recommended battery is SEIZAIKEN)
- Operation temperature range From  $-5\text{ }^{\circ}\text{C}$  to  $+50\text{ }^{\circ}\text{C}$
- Antimagnetic  $\geq 1600\text{ A/m}$  (Direct current magnetic field)
- Test of accuracy 10 seconds (Duration of measurement)

**\* All specifications are subject to change without notice.**





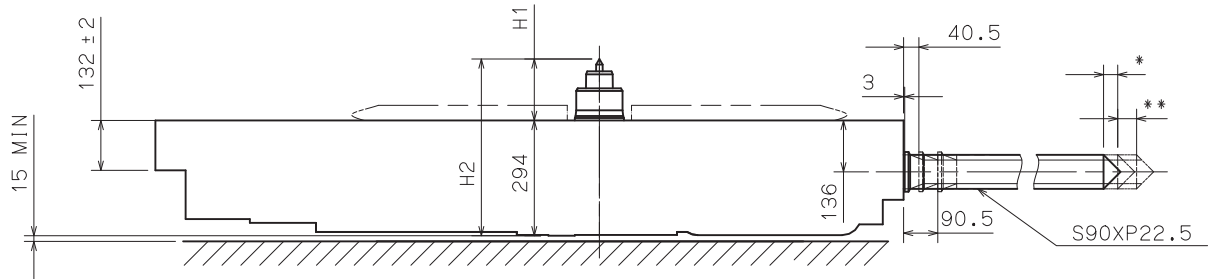
# Casing

# VJ43B

Battery Side holding Spring Type.

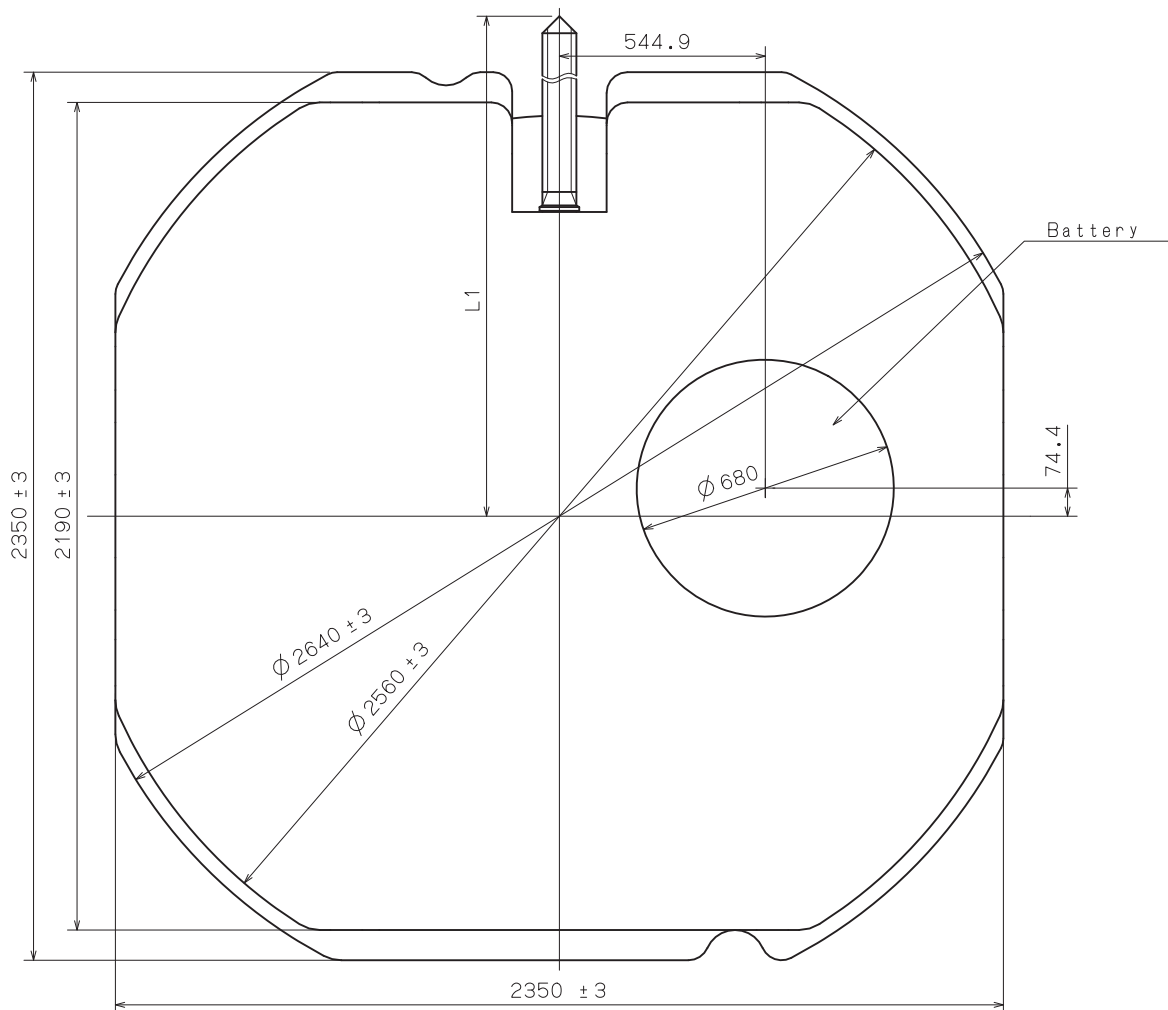
\* First Pull out Stroke 37.5

\*\* Second Pull out Stroke 50



Center post 中心柱位		TYPE M 一般針高
Maximum height from main plate surface 與機芯平面的最大高度	H1	162.7
Total height incl. movement 機芯總高度	H2	456.7

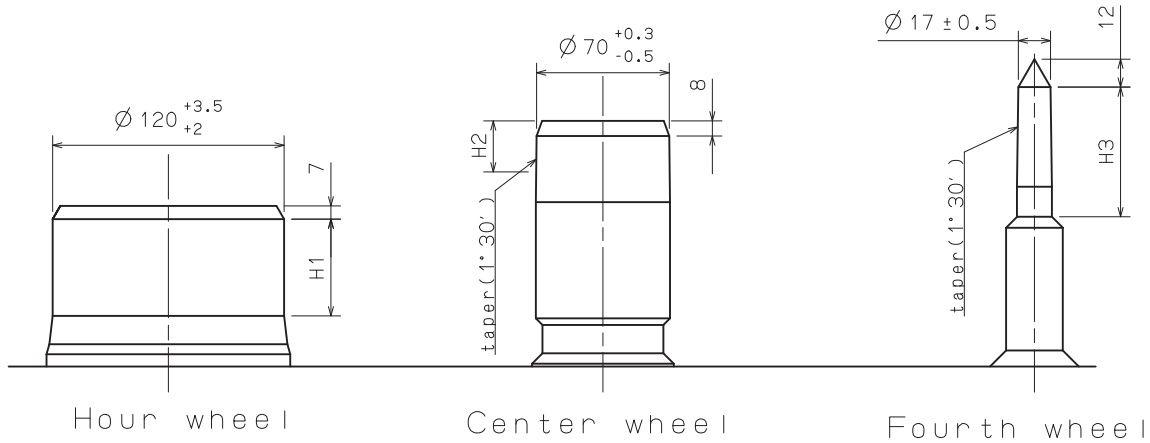
Hand Setting Stem	TYPE A
L1	2413



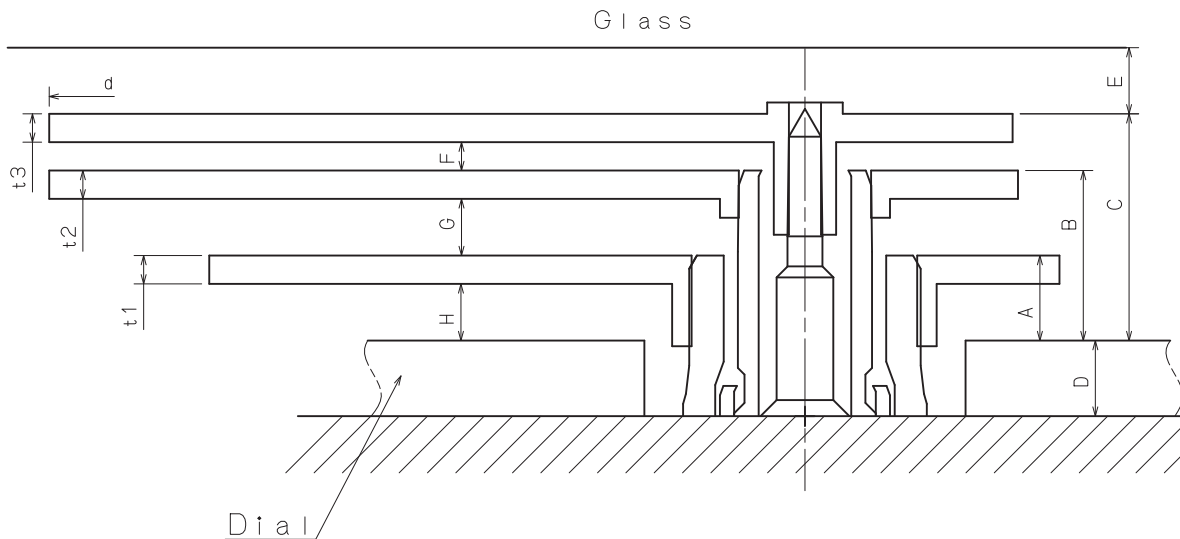
Unit : 1=1/100mm

Version : 1

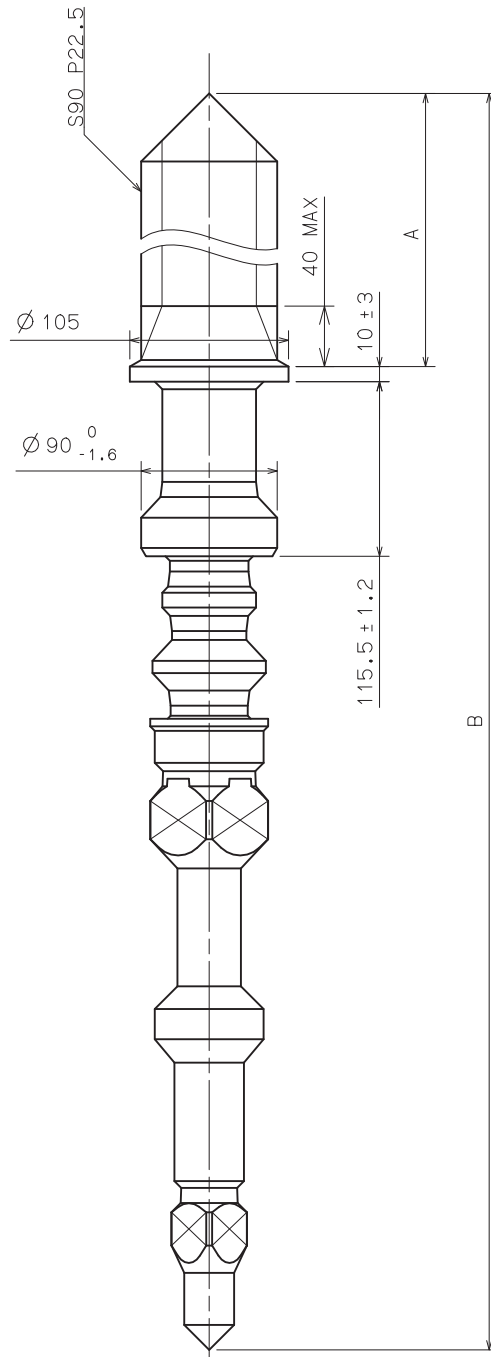
Hour hand unbalance  $\leq 0.3\mu\text{N}\cdot\text{m}$  (30mg·mm)  
 Minute hand unbalance  $\leq 0.3\mu\text{N}\cdot\text{m}$  (30mg·mm)  
 Second hand unbalance  $\leq 0.07\mu\text{N}\cdot\text{m}$  (7mg·mm)



	Part No.			Dimension		
	Hour wheel 時針輪	Center wheel 分針輪	Fourth wheel 秒針輪	H1	H2	H3
TYPE M 一般針高	0273 017	0221 066	0144 125	51	27	69



	A	B	C	D	E	F	G	H	t1	t2	t3	d
TYPE M 一般針高	45	90	120	40	35	15	30	30	15	15	15	$\phi 2500\text{MAX}$

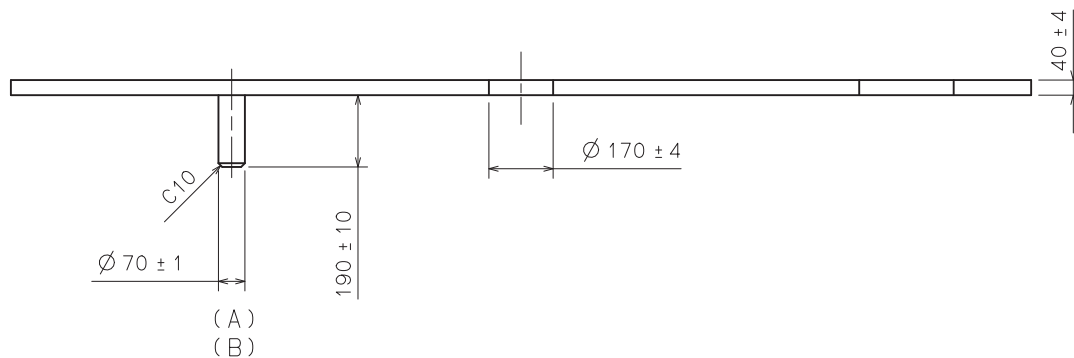
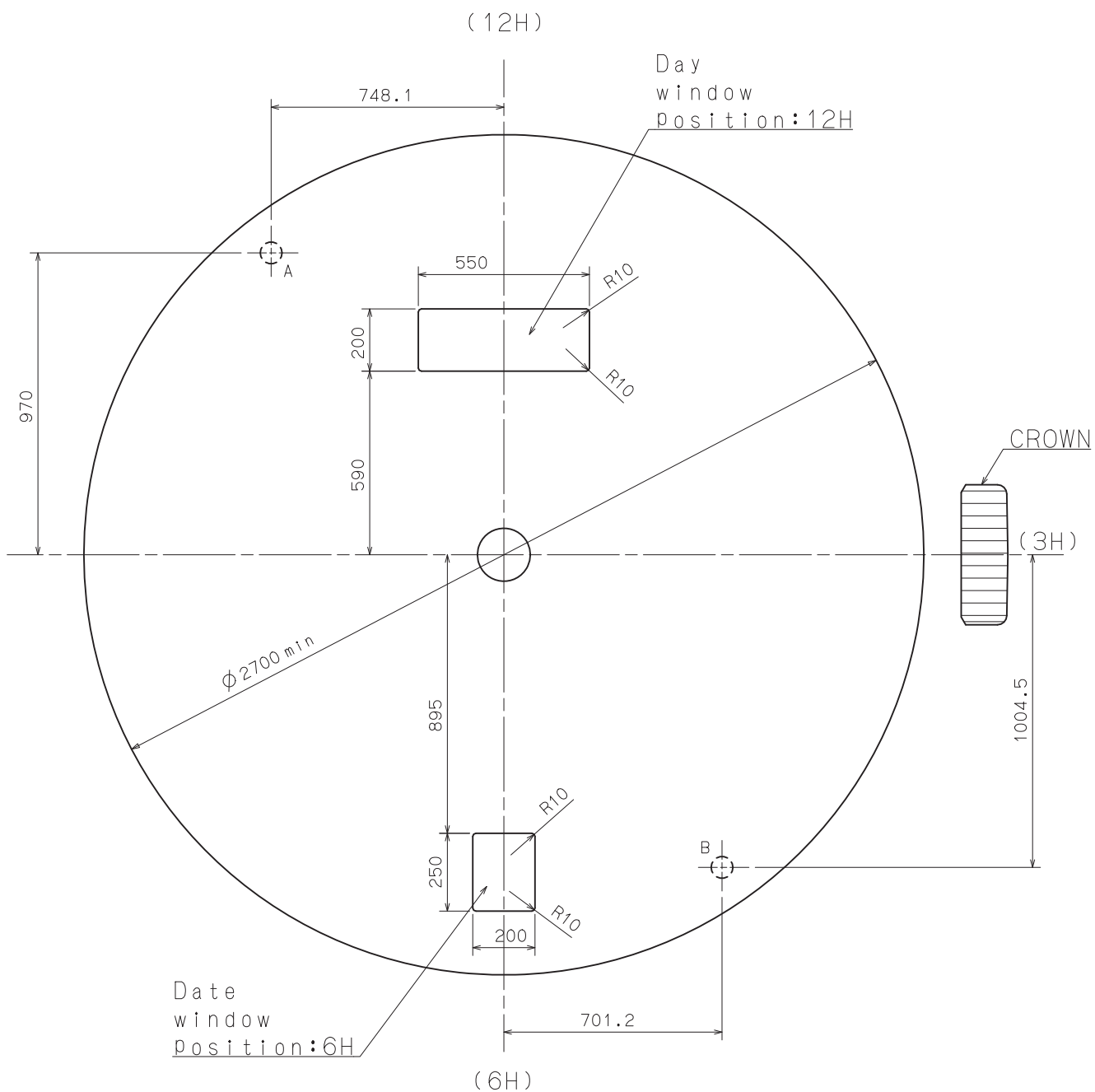


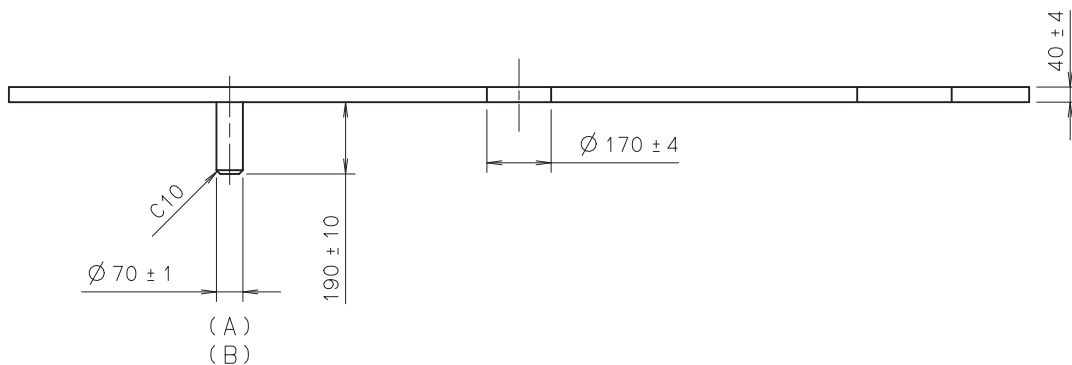
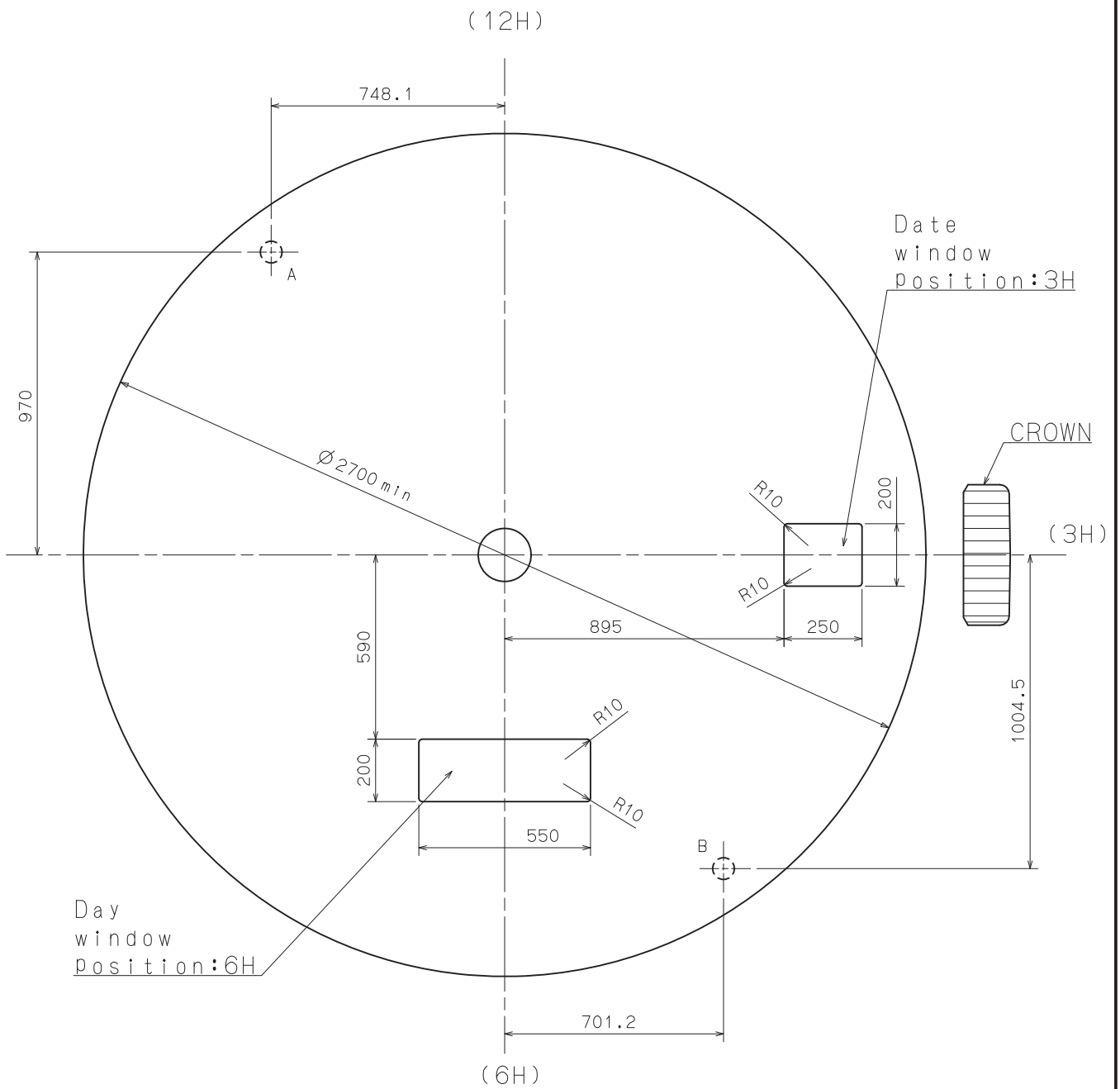
	Part No.	A	B
TYPE A	0351 001	1595	2245.5

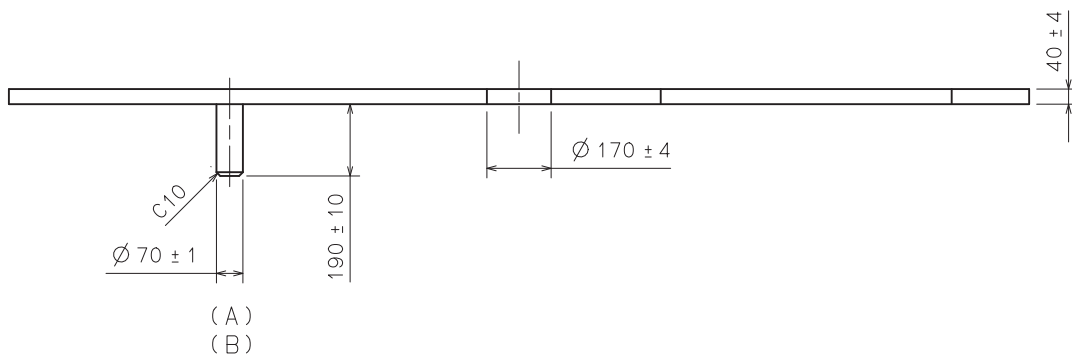
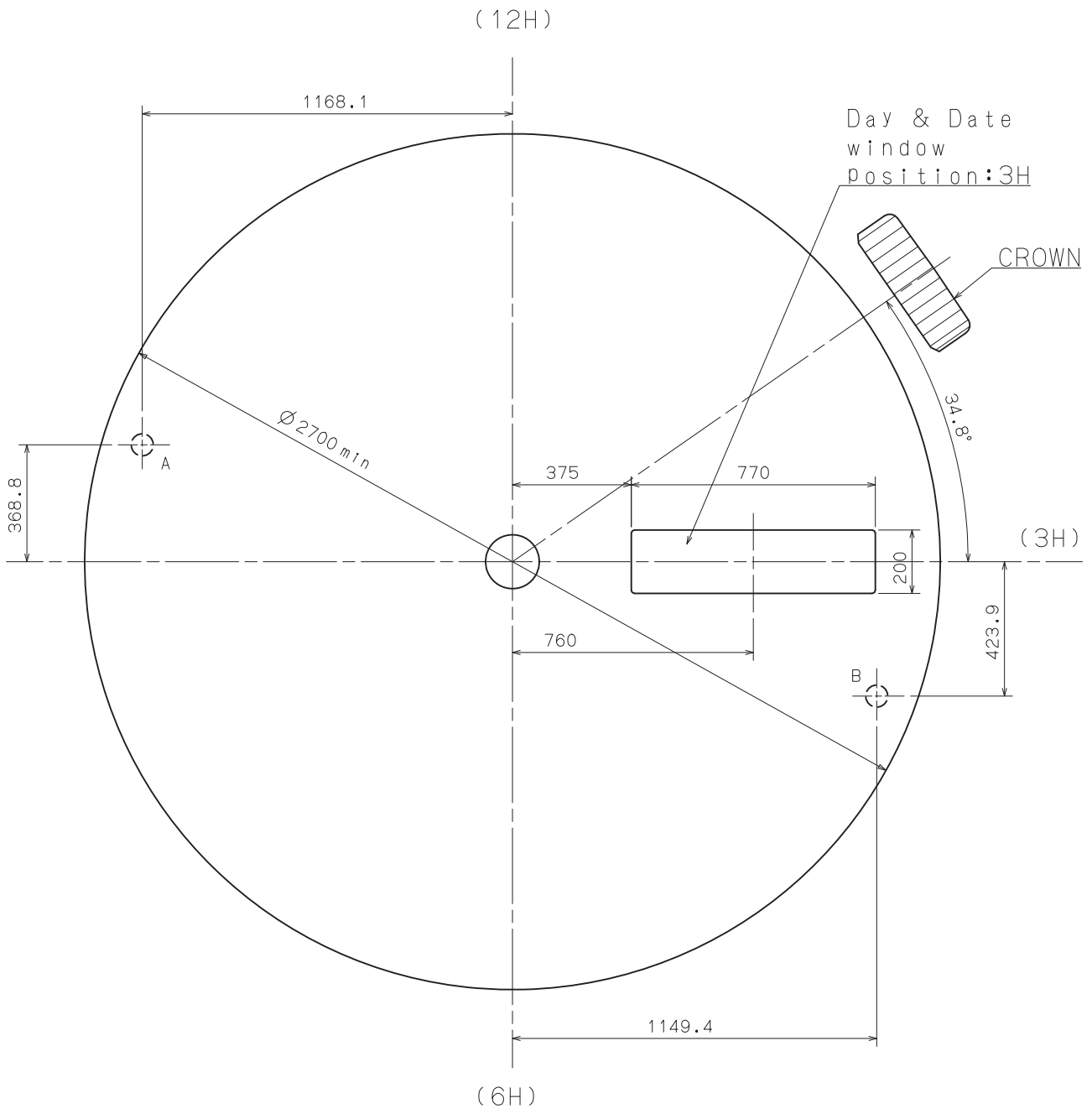


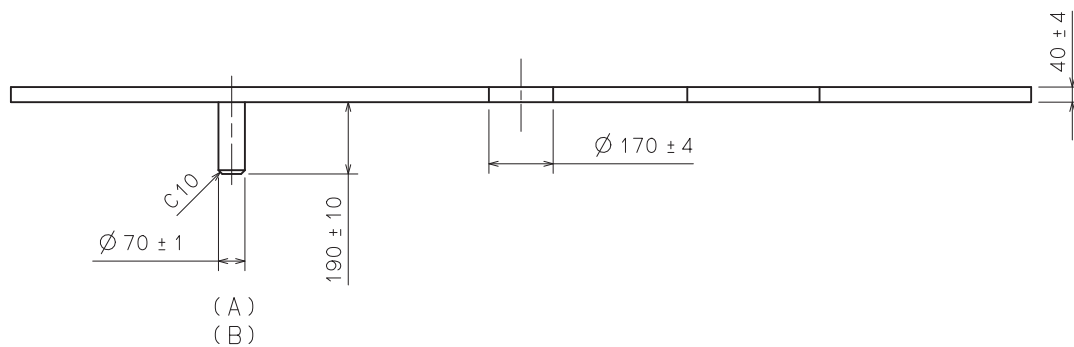
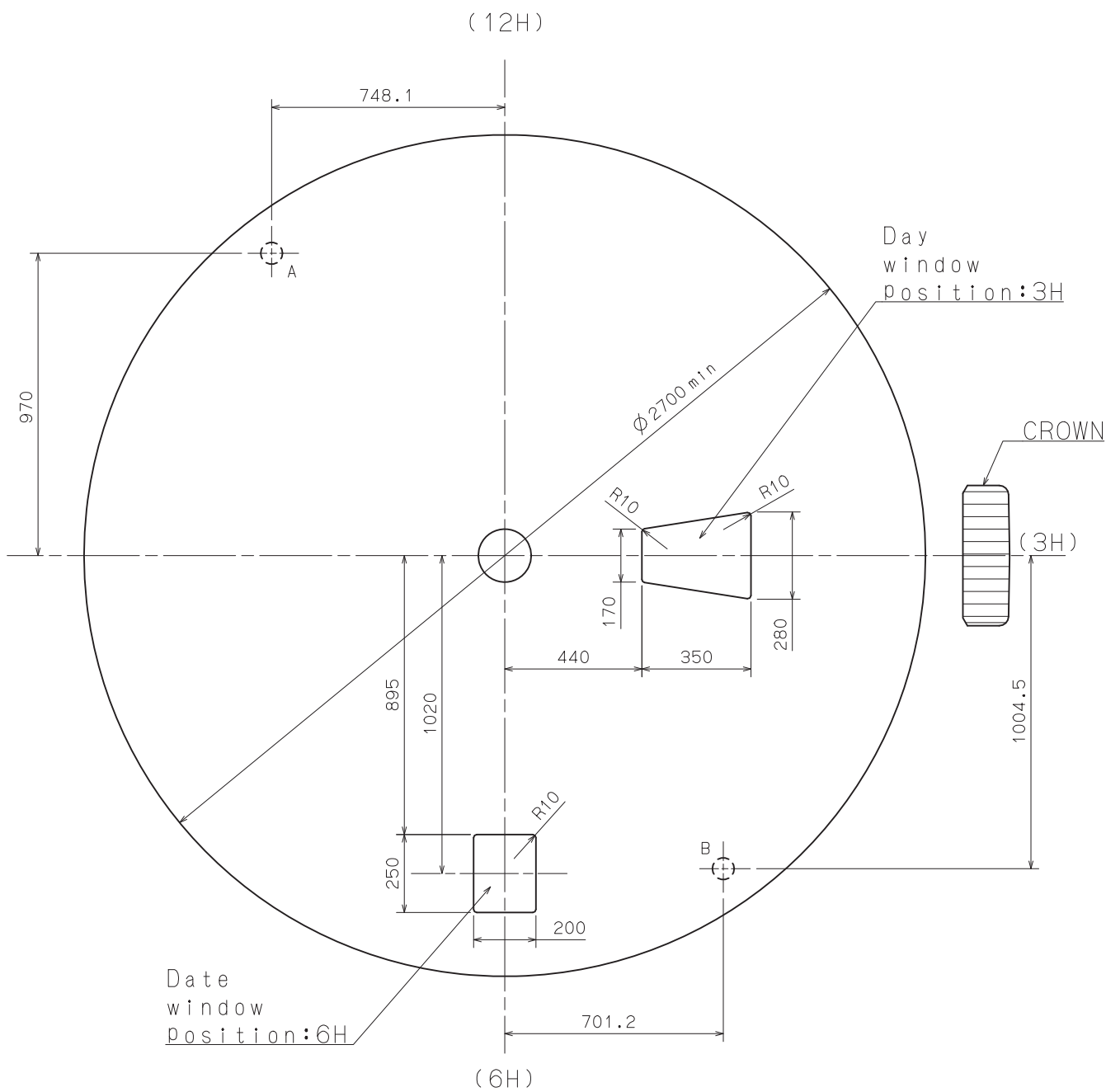


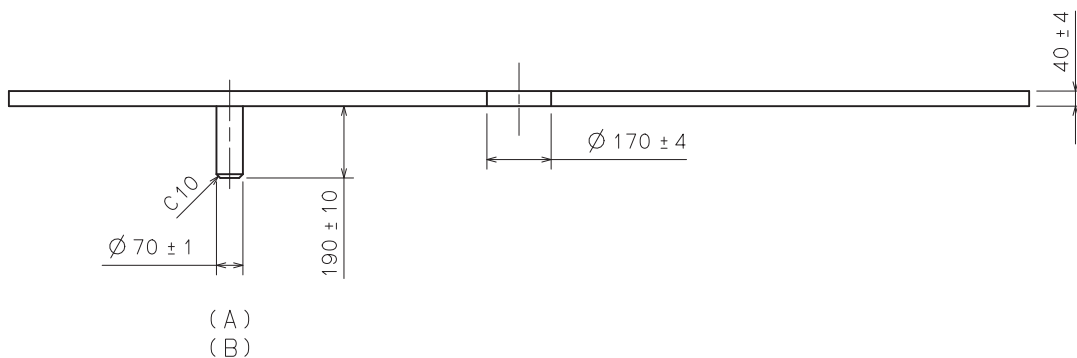
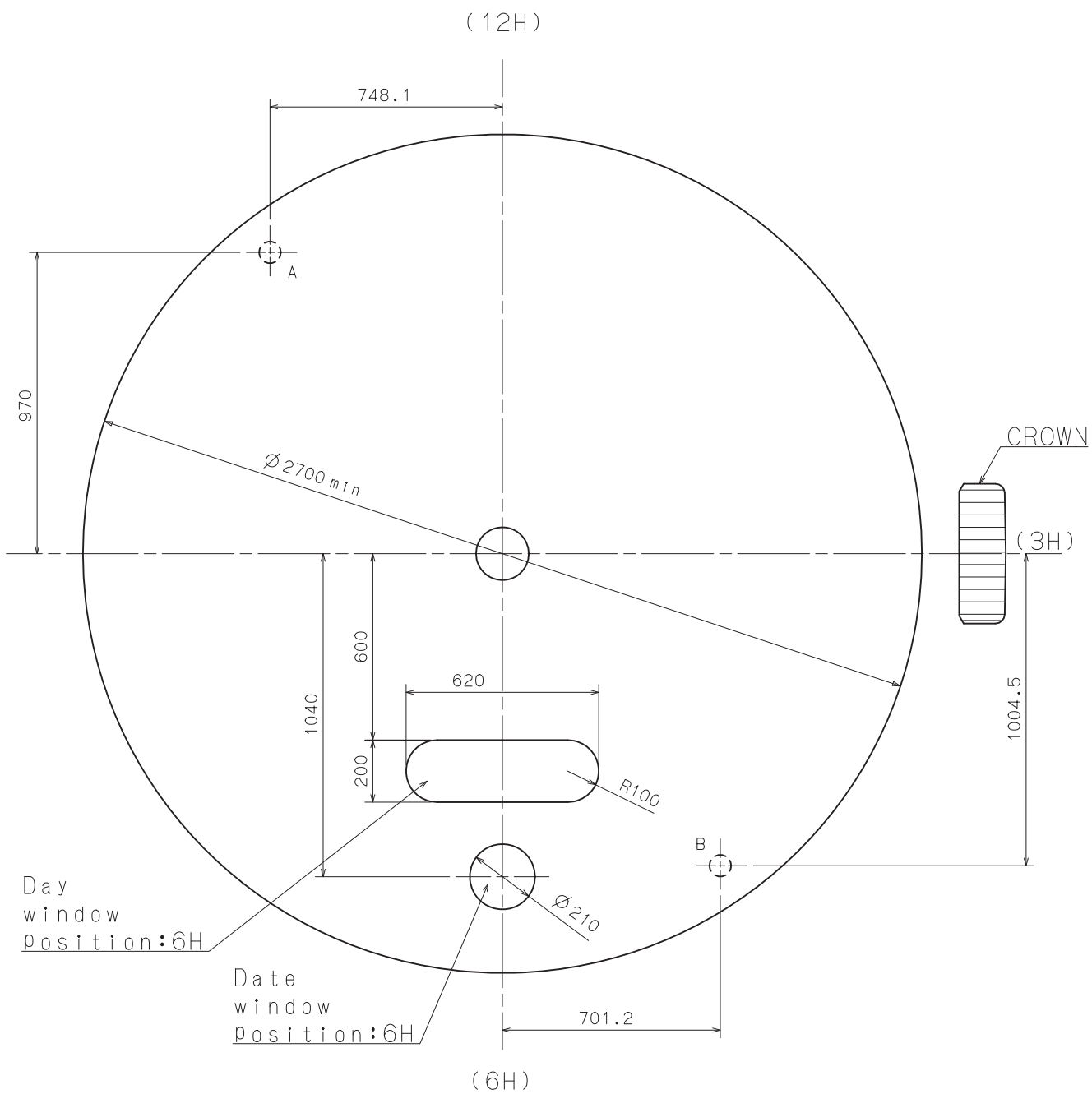


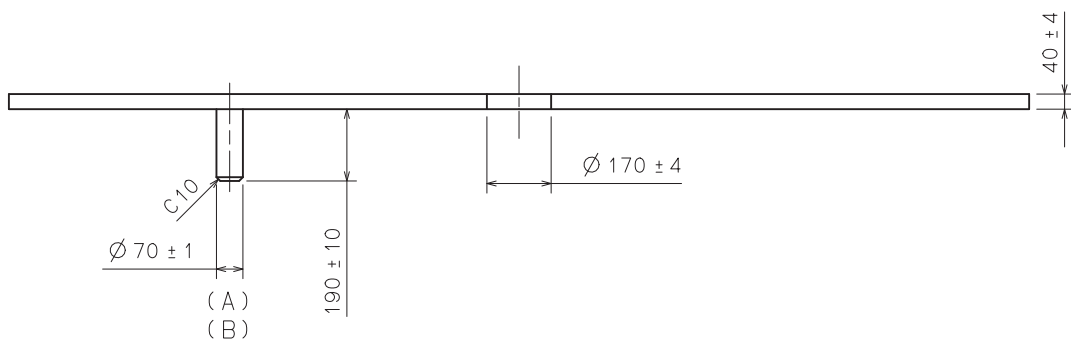
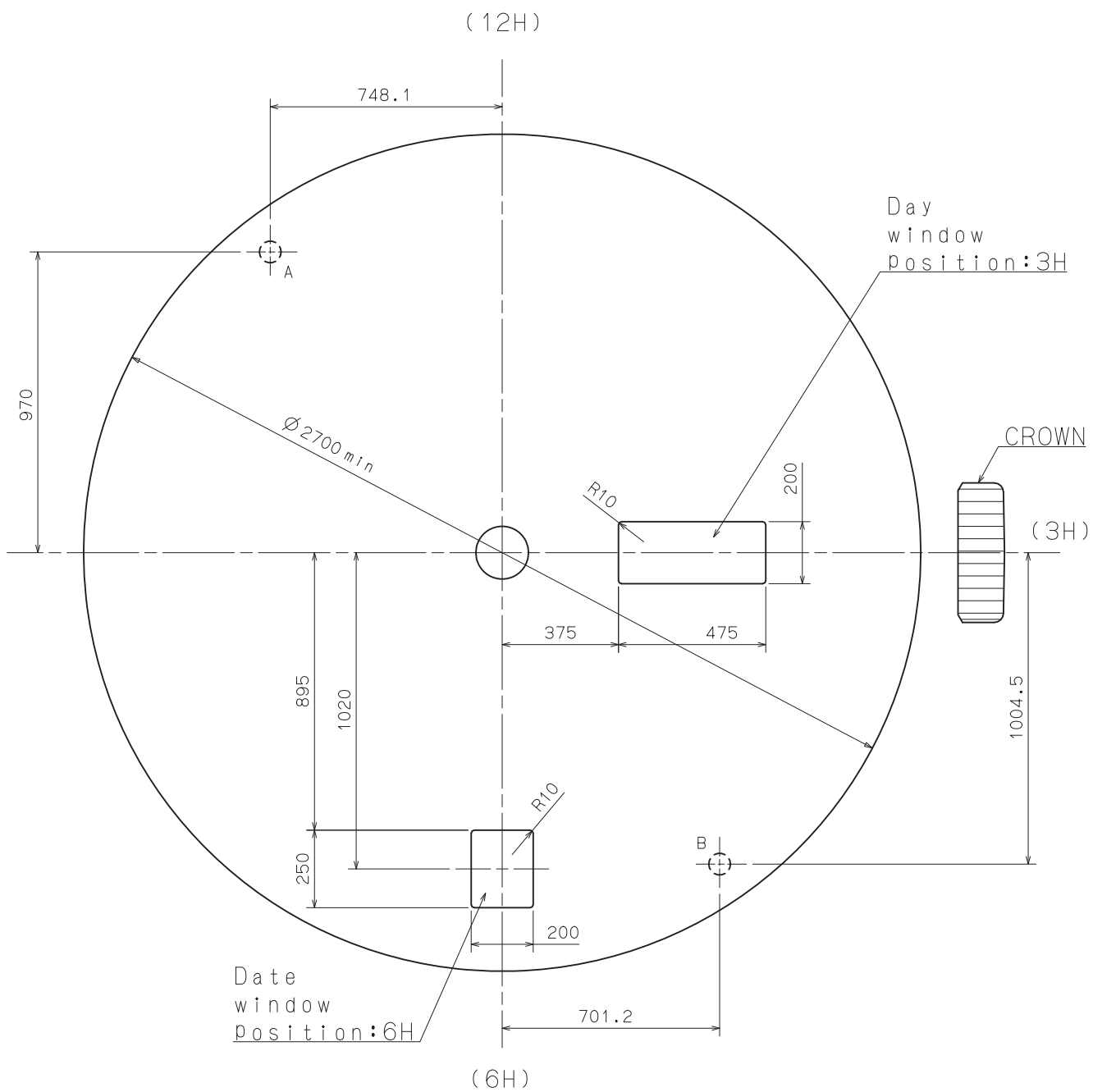


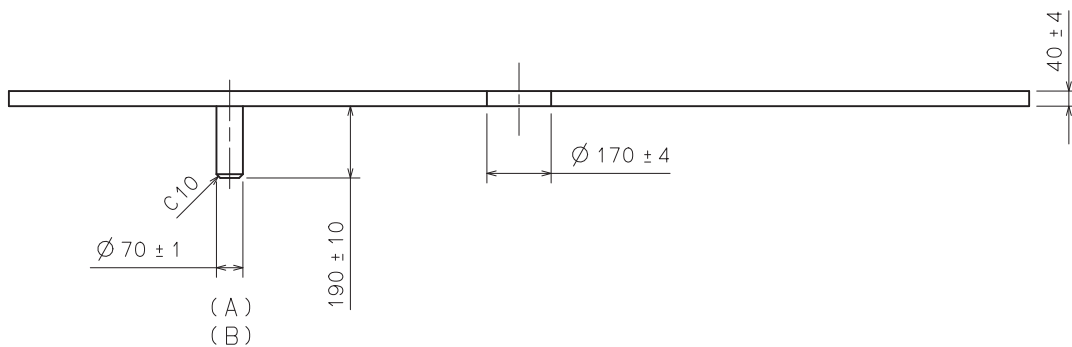
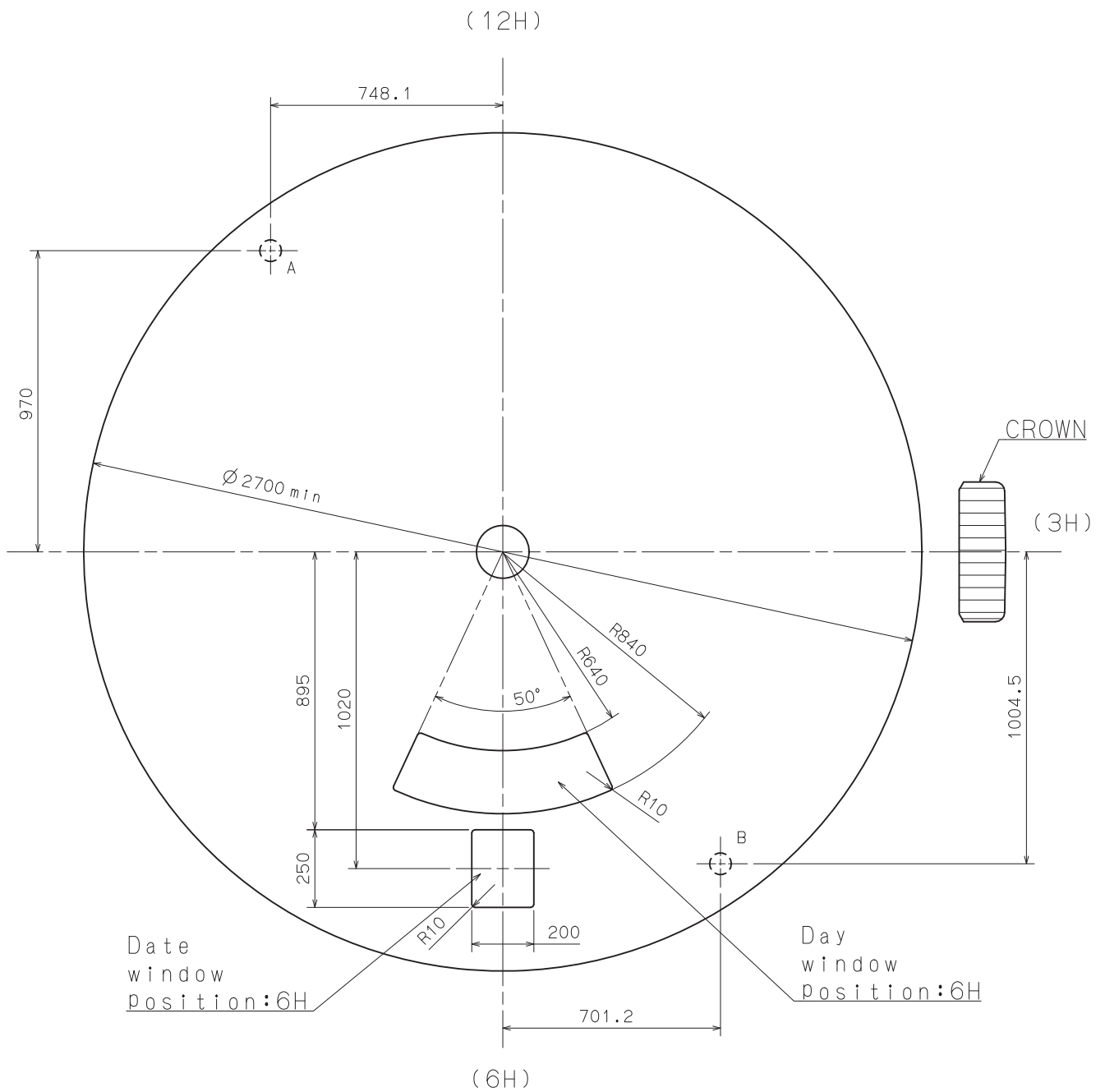










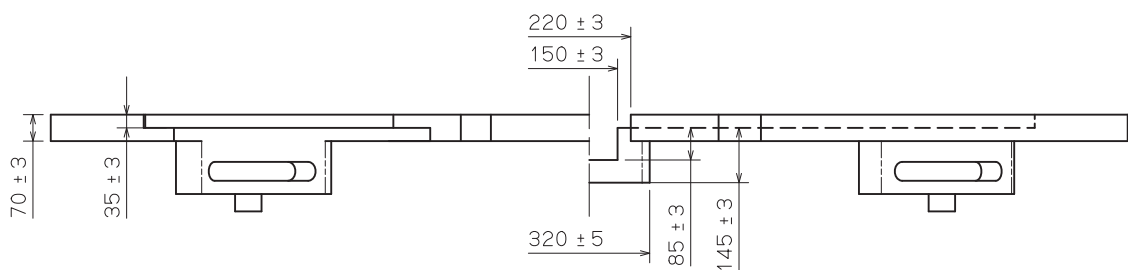
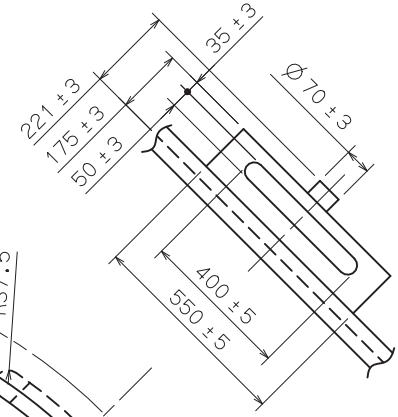
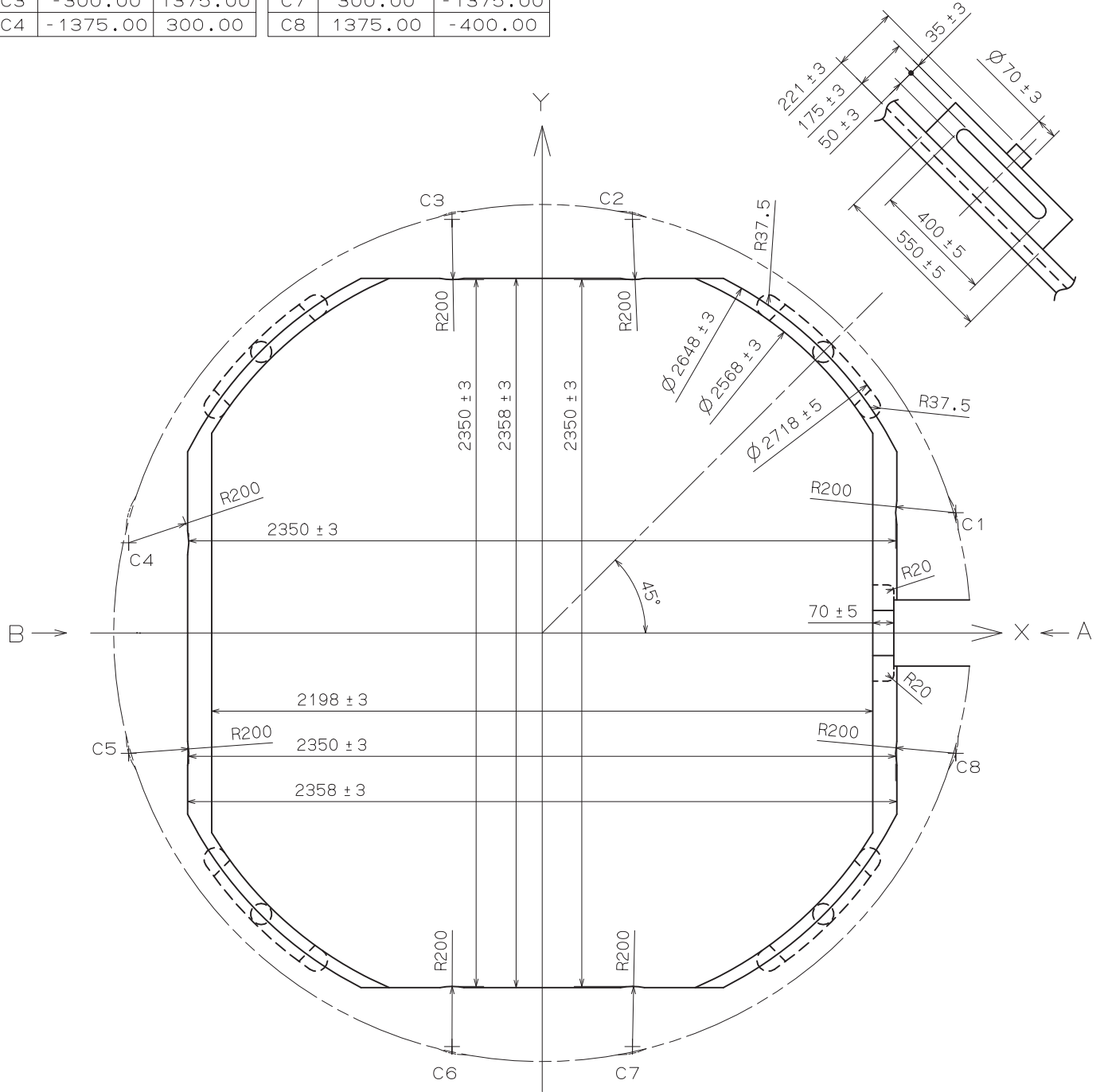




# Casing Ring

VJ43B

No.	X	Y	No.	X	Y
C1	1375.00	400.00	C5	-1375.00	-400.00
C2	300.00	1375.00	C6	-300.00	-1375.00
C3	-300.00	1375.00	C7	300.00	-1375.00
C4	-1375.00	300.00	C8	1375.00	-400.00



SIDE VIEW from B DIRECTION

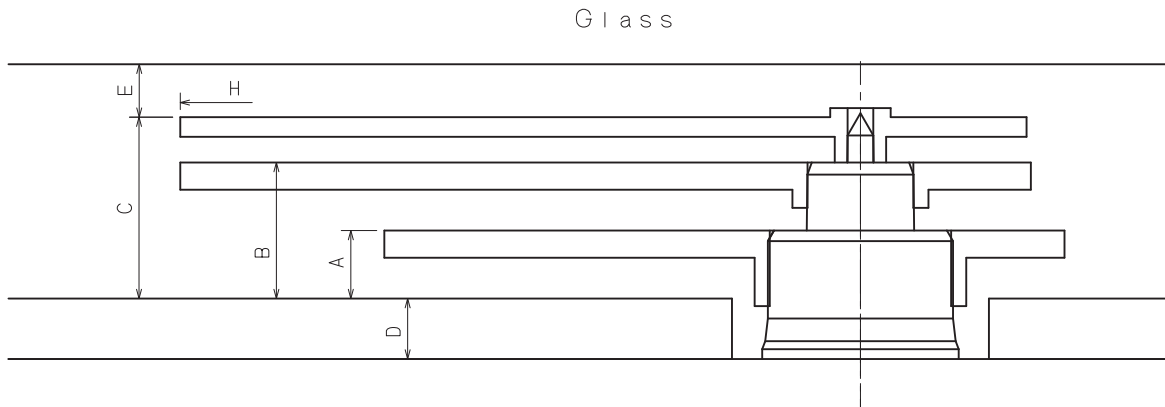
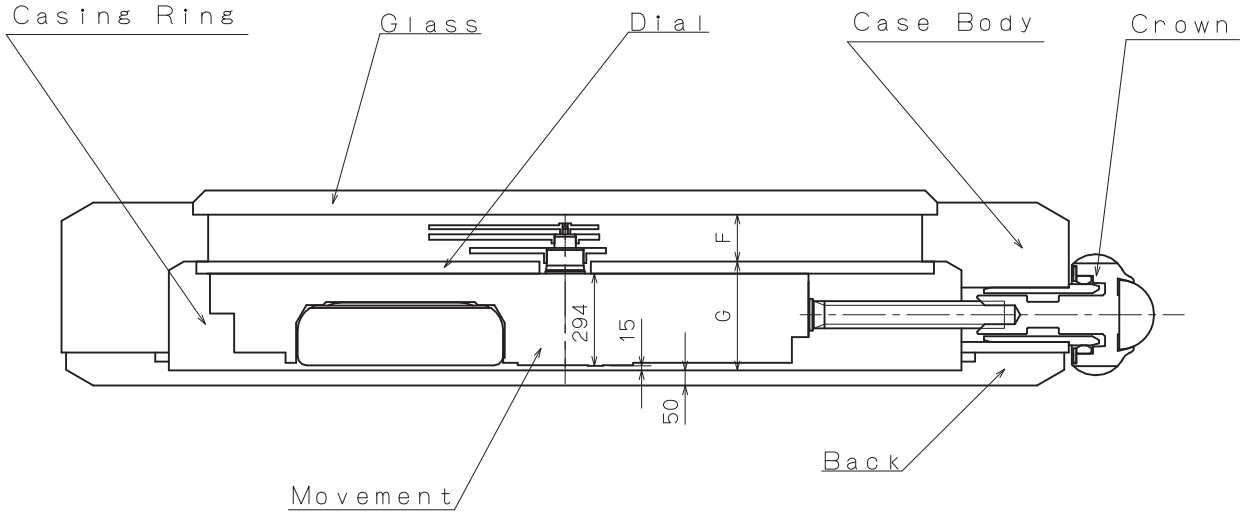
SIDE VIEW from A DIRECTION

Unit : 1=1/100mm

Version : 1

# Assembly Plan

VJ43B

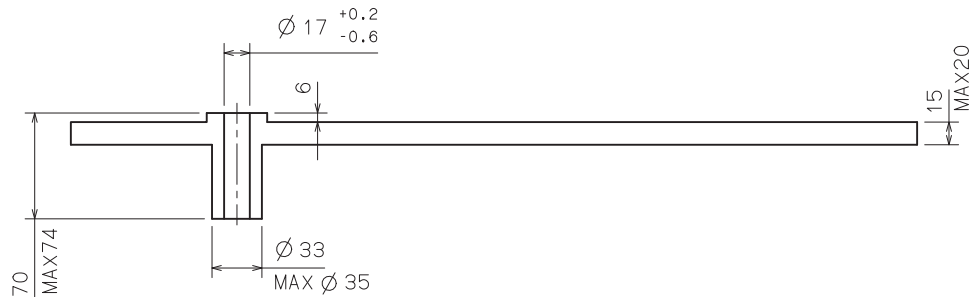


	A	B	C	D	E	F	G	H
TYPE M	45	90	120	40	35	155	349	∅ 2500MAX

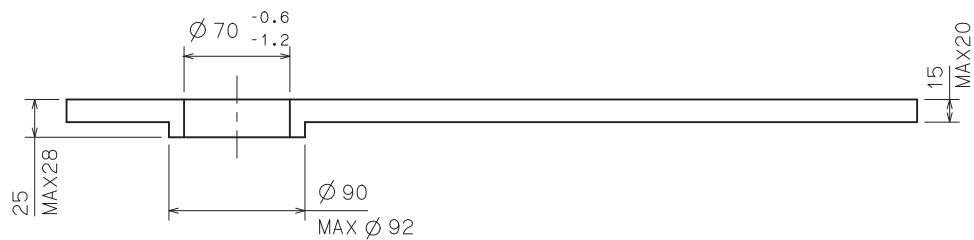
Unit : 1=1/100mm

Version : 1

SECOND



MINUTE



HOUR

