

Watch Movement Specification and Drawing

Basic Chronograph Movement

**VD5FA**



Movement Size: **12 3/4"**  
 Diameter: **Φ29.50mm**  
 Height: **4.57mm**

Items	Ver.	Items	Ver.
Specification	1		
Appearance	1		
Casing	1		
Hand Fitting	1		
Hand Setting Stem	1		
Dial - 1	1		
Dial - 2	1		
Assembly Plan - 1	1		
Assembly Plan - 2	1		
Hands	1		

## CAL.VD5FA 12 $\frac{3}{4}$ Ligne Quartz Movement

### Three Hands with 2 Eyes & Date

### Small Chronograph Second & Minute Hands

#### 1. FUNCTION

- Jewel 0 jewel
- Accuracy Less than  $\pm 20$  seconds / month (Normal temperature range)
- Battery life Approx. 3 years
- Regulation hands unbalance
  - Hour hand : Less than  $0.60 \mu\text{N}\cdot\text{m}$  ( 60 mg·mm )
  - Minute hand : Less than  $0.90 \mu\text{N}\cdot\text{m}$  ( 90 mg·mm )
  - Second hand : Less than  $0.09 \mu\text{N}\cdot\text{m}$  ( 9 mg·mm )
  - Small chronograph hands : Less than  $0.05 \mu\text{N}\cdot\text{m}$  ( 5 mg·mm )
- Additional function
  - Date display with quick date correction
  - Chronograph : up to 60 minutes in 1 second split time

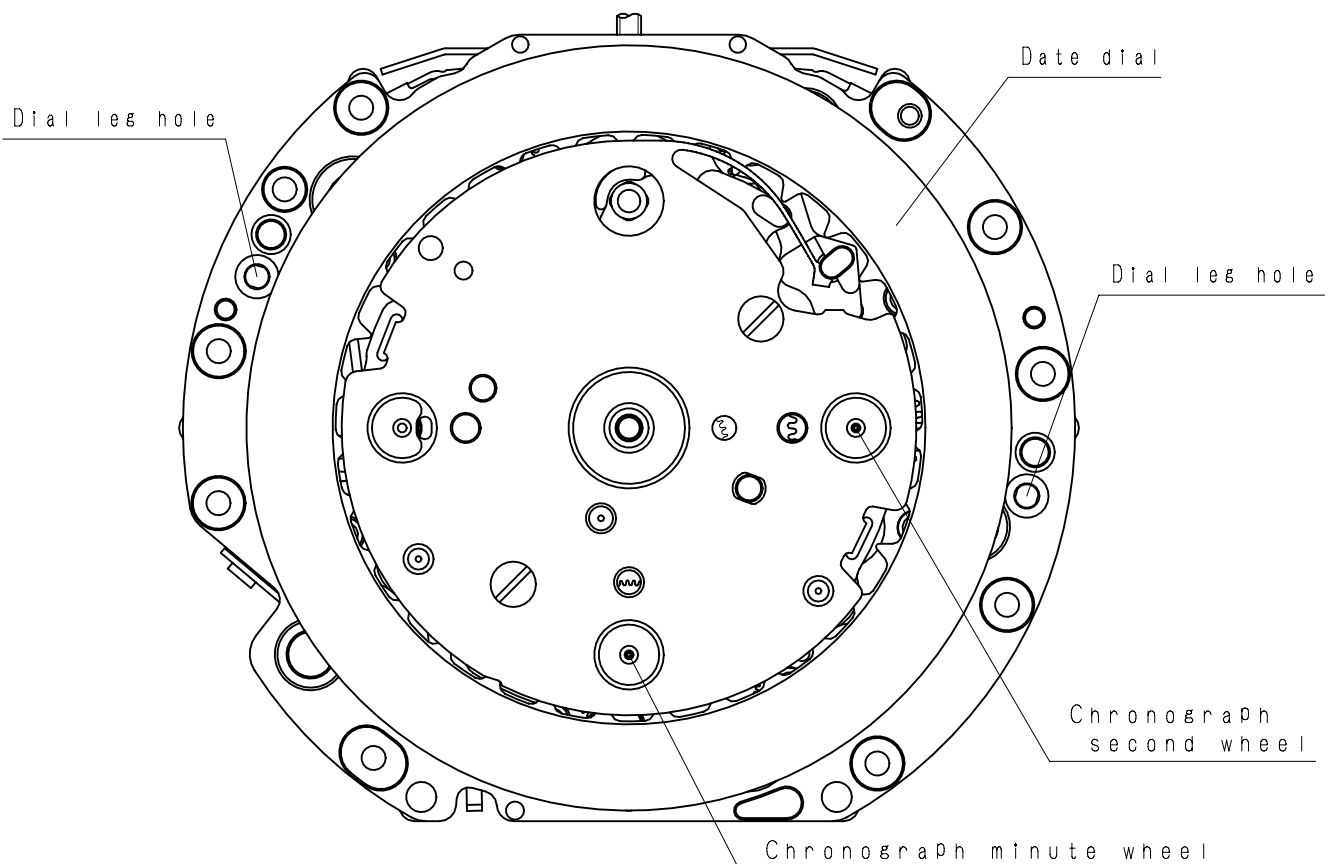
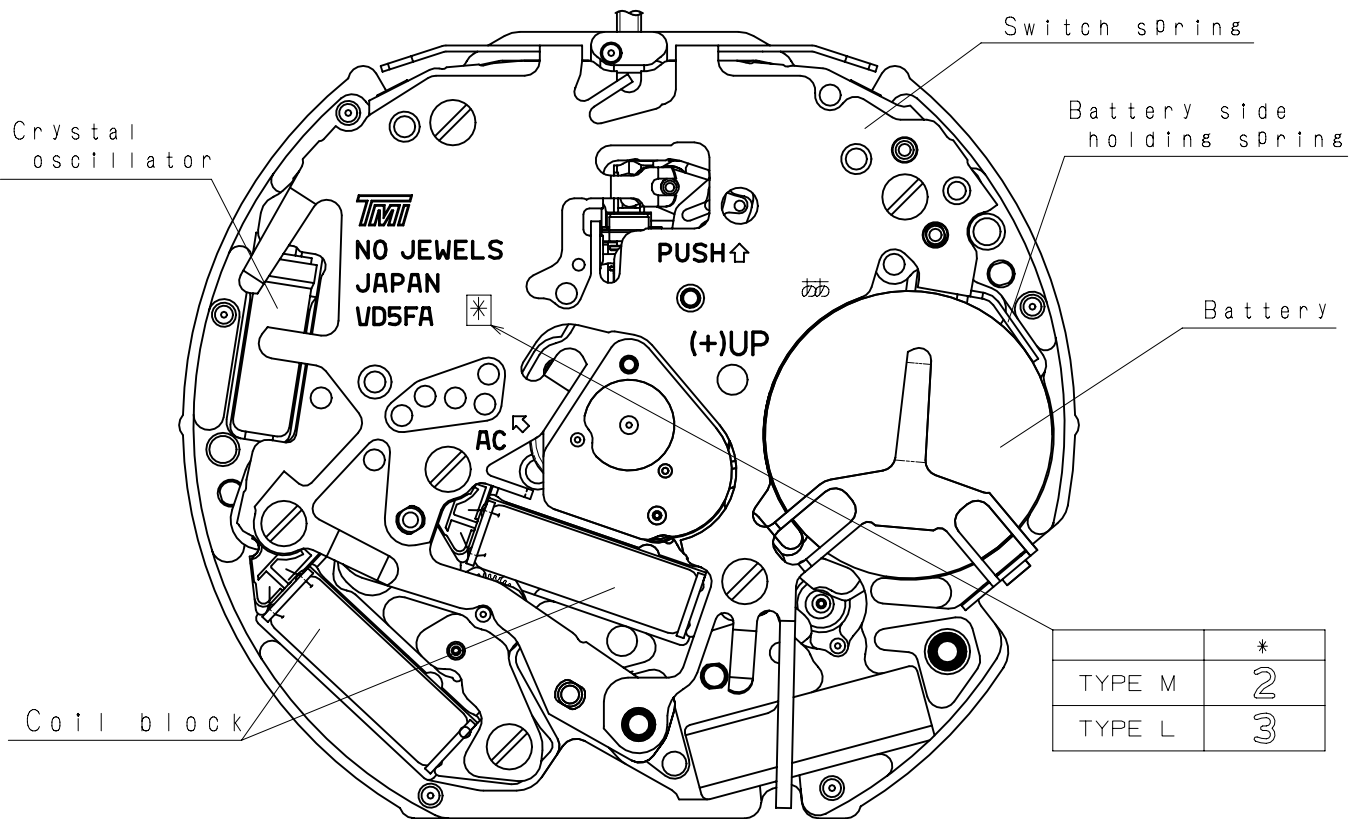
#### 2. USE AND TEST CONDITION

- Battery SR920SW (Recommended battery is SEIZAIKEN)
- Operation temperature range From  $-5^{\circ}\text{C}$  to  $+50^{\circ}\text{C}$
- Antimagnetic  $\geq 1600 \text{ A / m}$  (Direct current magnetic field)
- Test of accuracy 10 seconds (Duration of measurement)

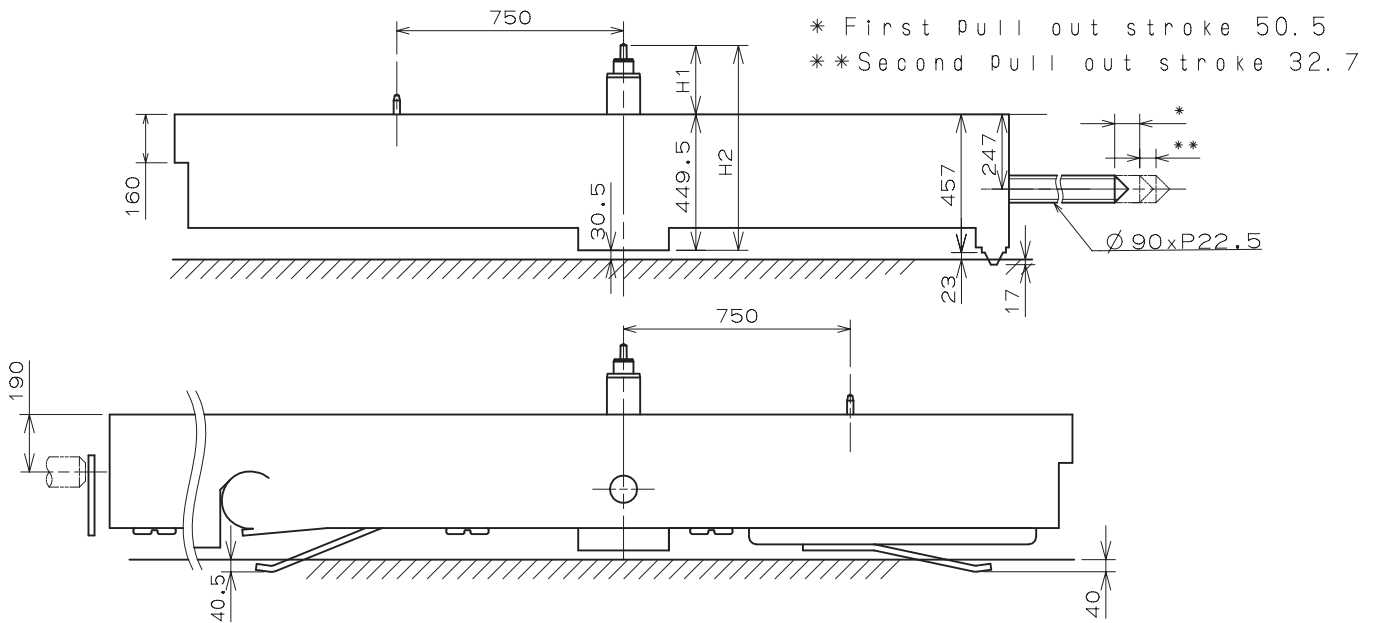
**\* All specifications are subject to change without notice.**

# Appearance

# VD5FA

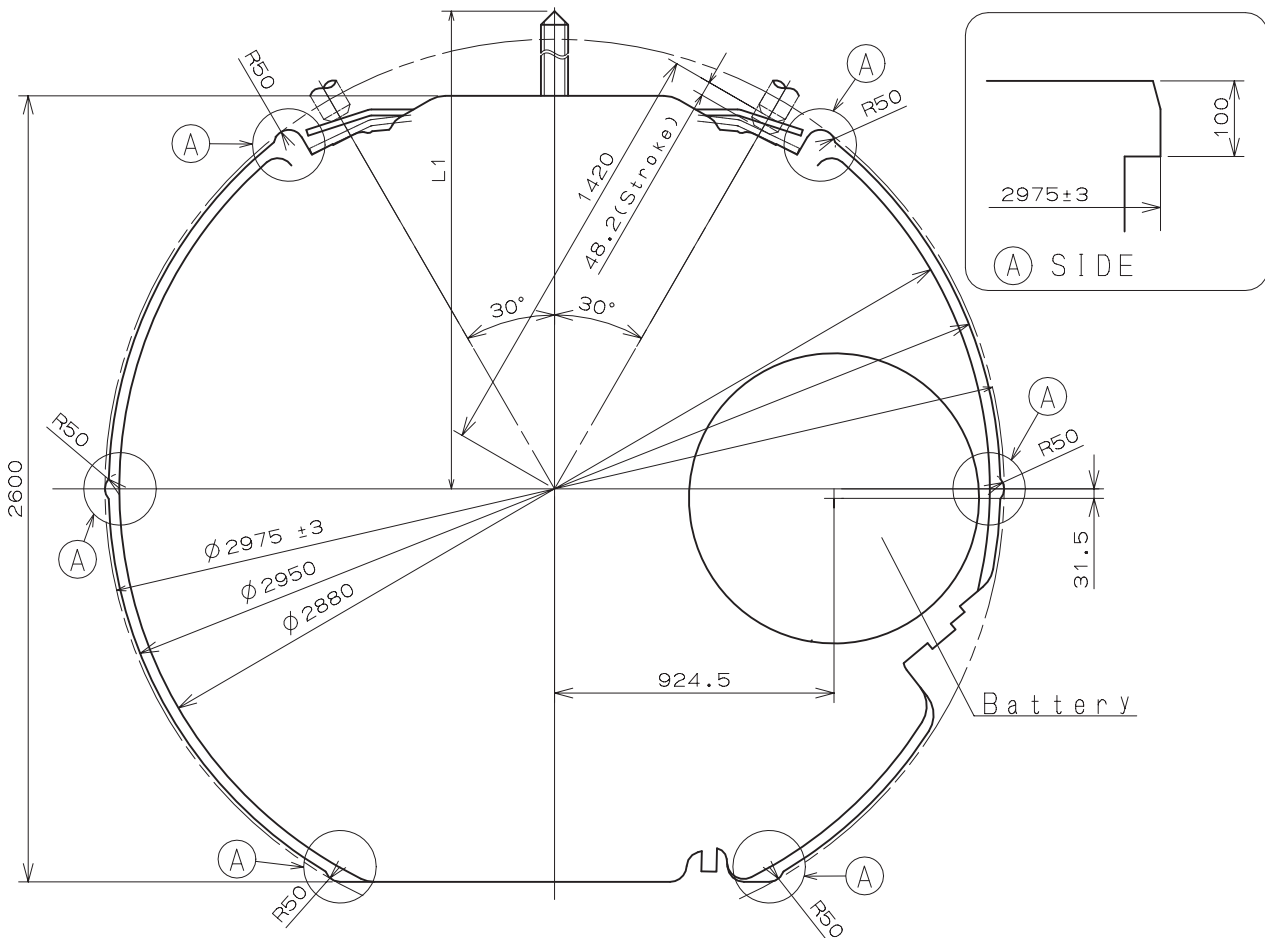


Version : 1



Center post 中心柱位	TYPE M 一般針高	TYPE L 高針
Maximum height from main plate surface 與機芯平面的最大高度	H1 228	273
Total height incl. movement 機芯總高度	H2 677.5	722.5

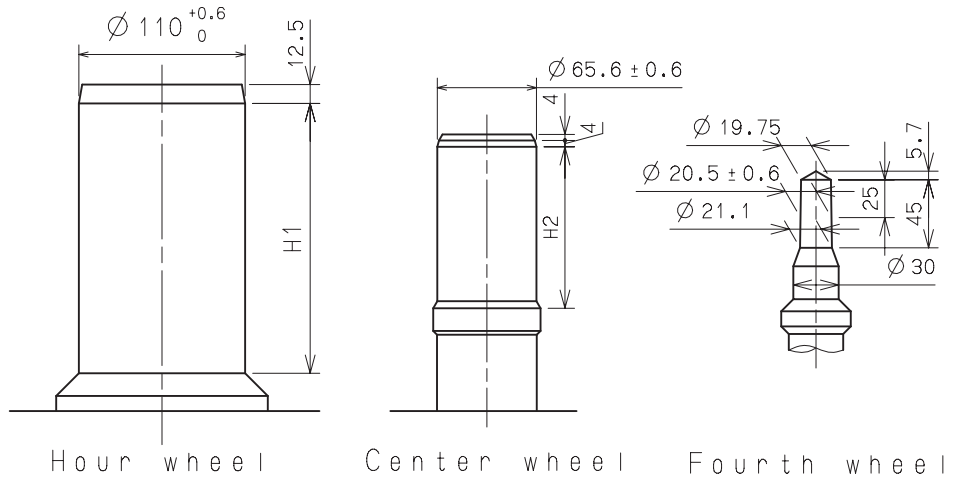
Hand Setting Stem	TYPE A	TYPE B
L1	2285	2861



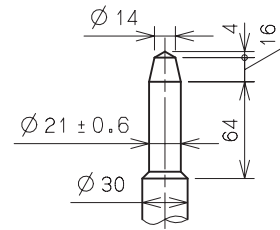
**\*Unbalance**

- Hour hand  $\leq 0.6 \mu\text{N} \cdot \text{m} (60 \text{mg} \cdot \text{mm})$
- Minute hand  $\leq 0.9 \mu\text{N} \cdot \text{m} (90 \text{mg} \cdot \text{mm})$
- Second hand  $\leq 0.09 \mu\text{N} \cdot \text{m} (9 \text{mg} \cdot \text{mm})$
- Chronograph hand  $\leq 0.05 \mu\text{N} \cdot \text{m} (5 \text{mg} \cdot \text{mm})$

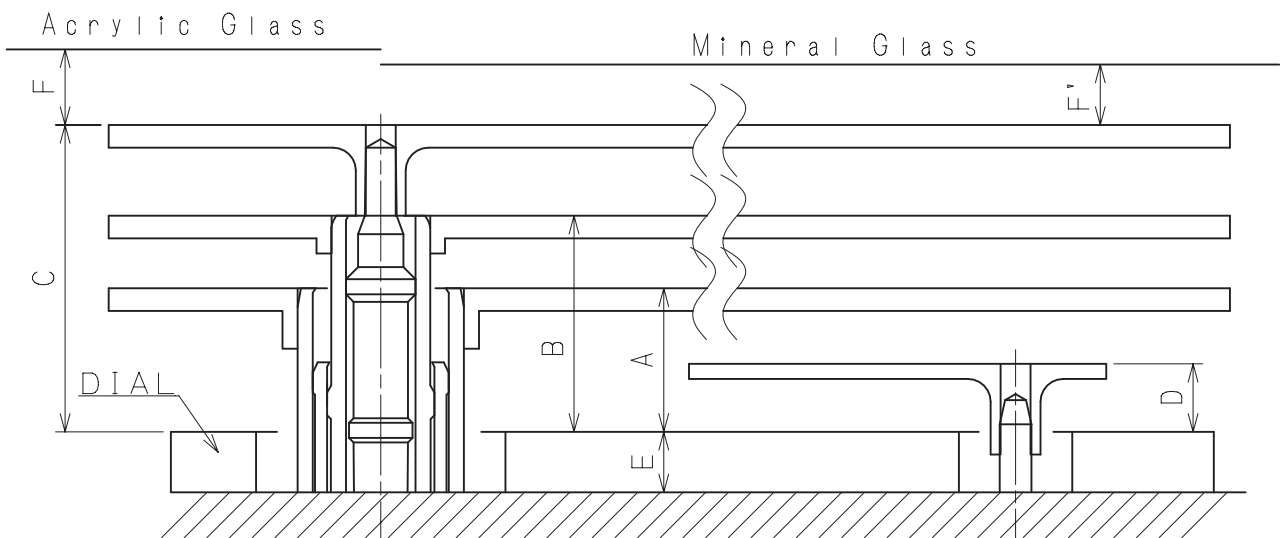
	H1	H2
TYPE M 一般針高	178.5	109
TYPE L 高針	223.5	154



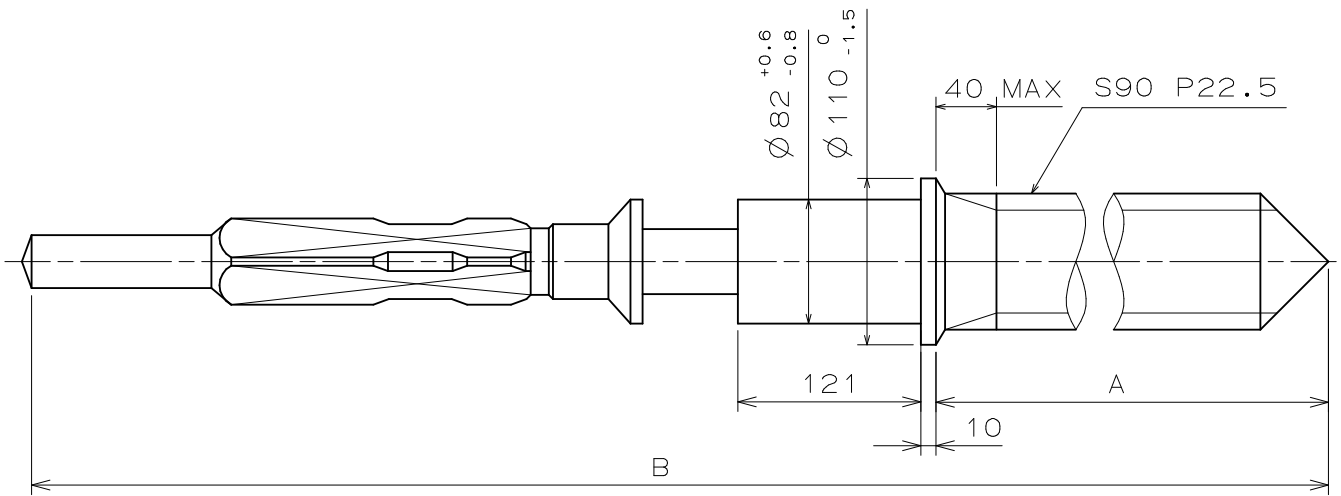
Part name		Part No.	
		TYPE M 一般針高	TYPE L 高針
Hour wheel	時針輪	0271 407	0273 037
Center wheel	分針輪	0221 203	0221 202
Fourth wheel	秒針輪	0241 178	0241 489
Chronograph minute wheel	計時分針輪	0902 008	0902 004
Chronograph second wheel	計時秒針輪	0888 009	0888 011



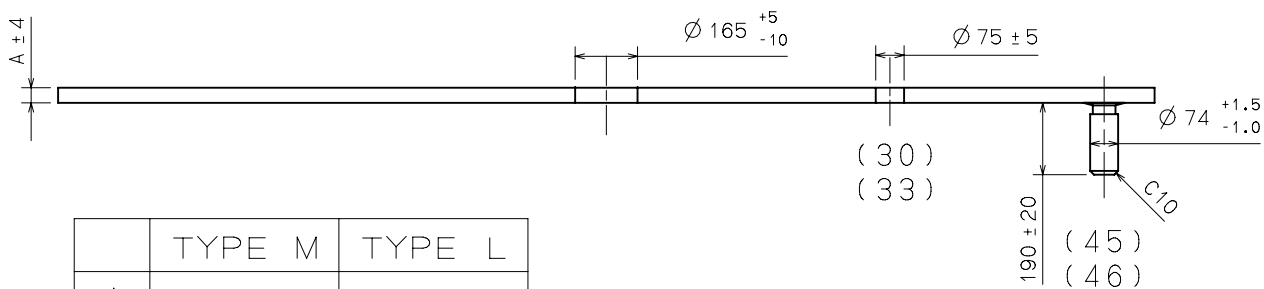
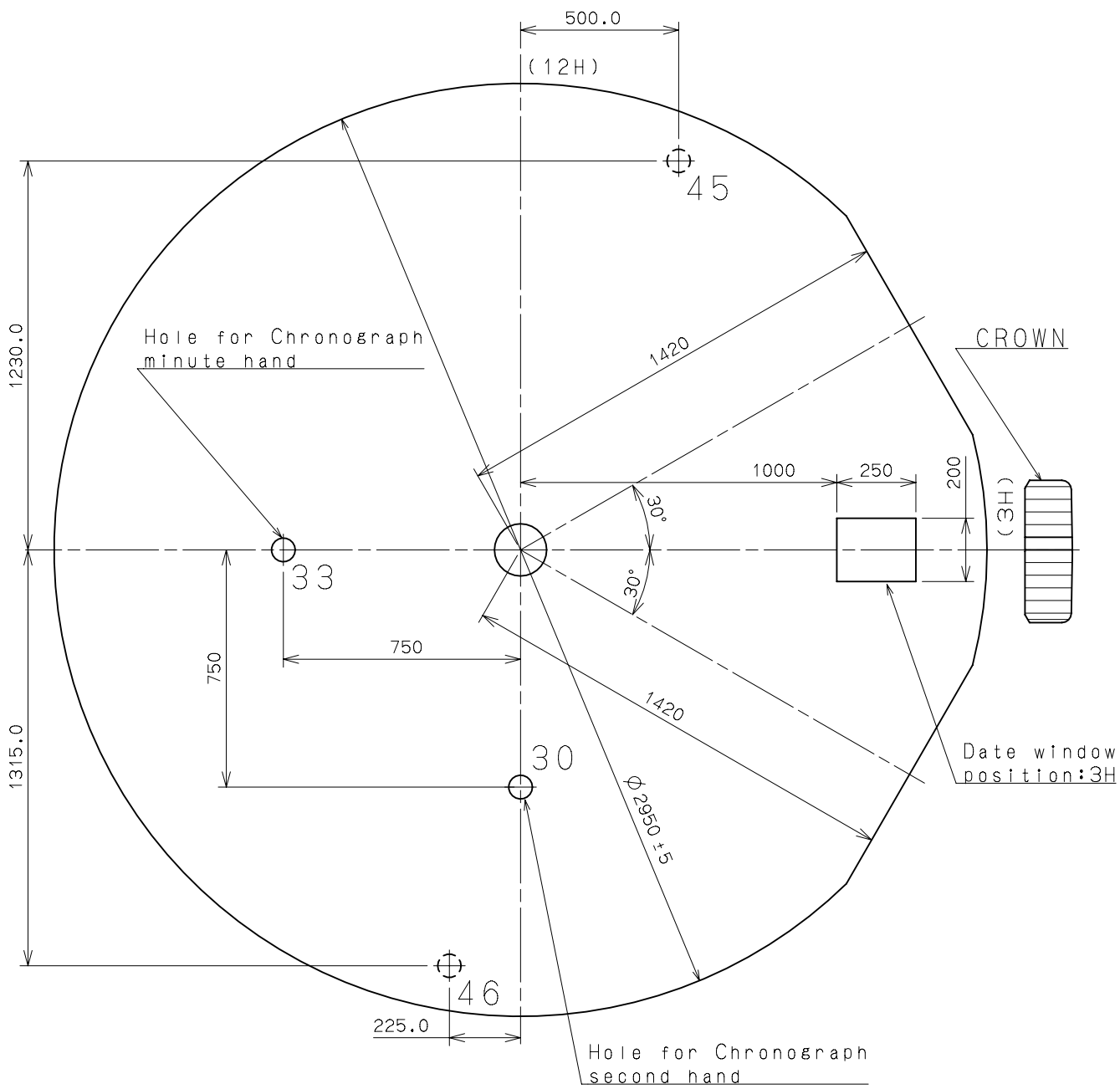
Chronograph minute wheel  
Chronograph second wheel



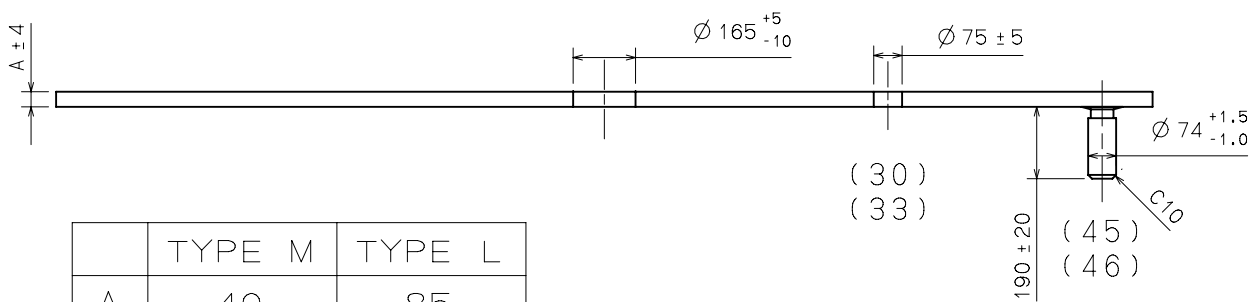
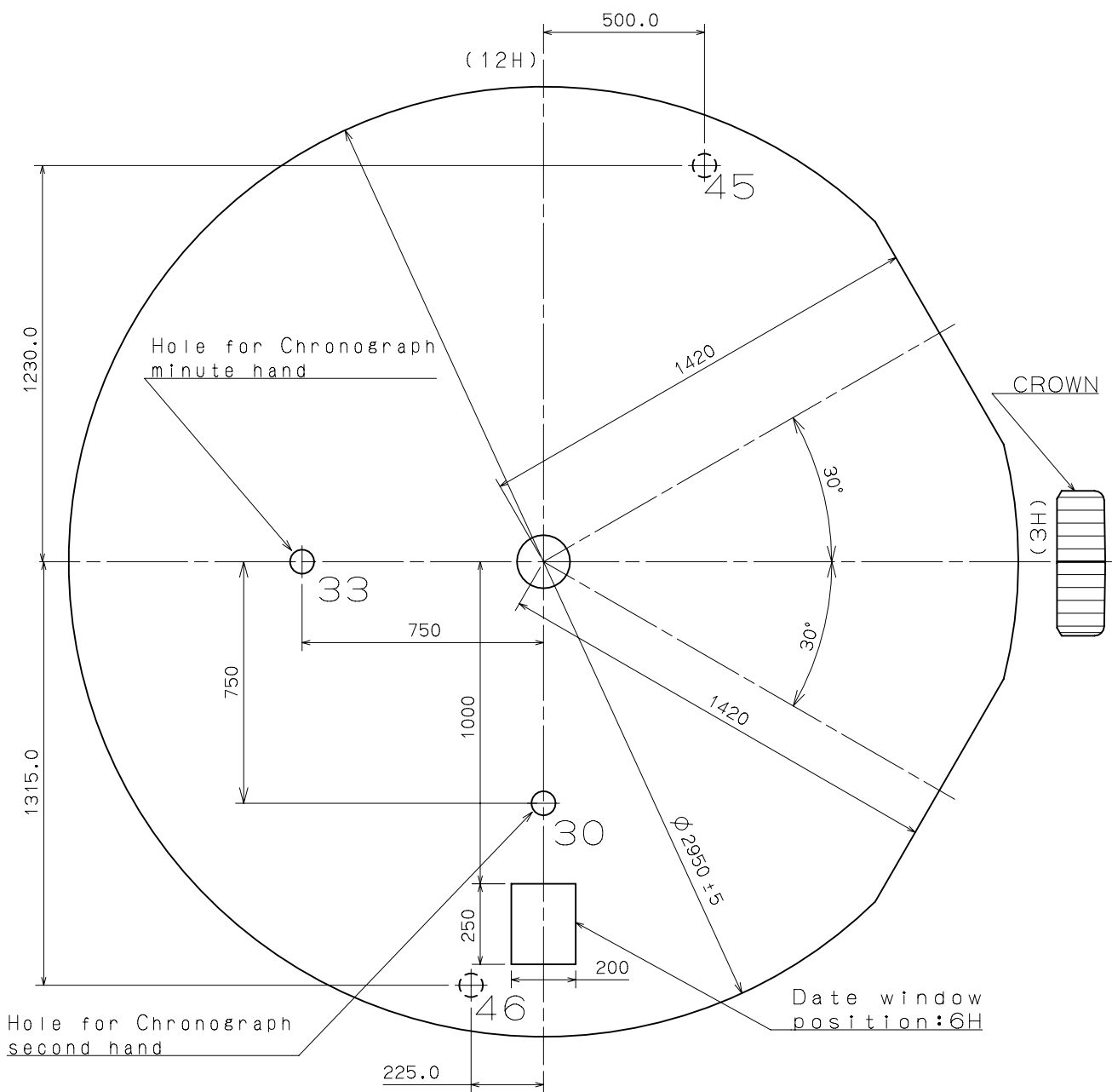
	A	B	C	D	E	F	F'
TYPE M 一般針高	95	143	203	45	40	50	40
TYPE L 高針	95	143	203	45	85	50	40



	Part No.	A	B
TYPE A	0351 177	1371	1969
TYPE B	0351 122	1947	2545

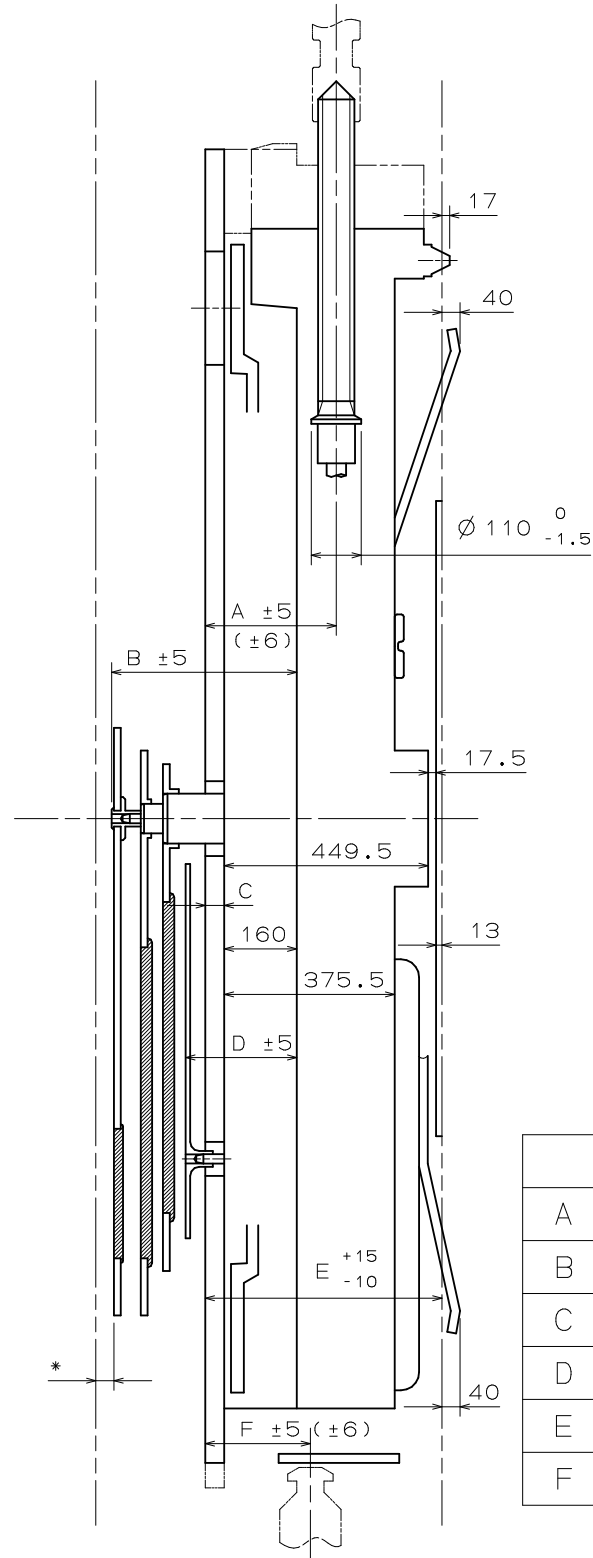


	TYPE M	TYPE L
A	40	85



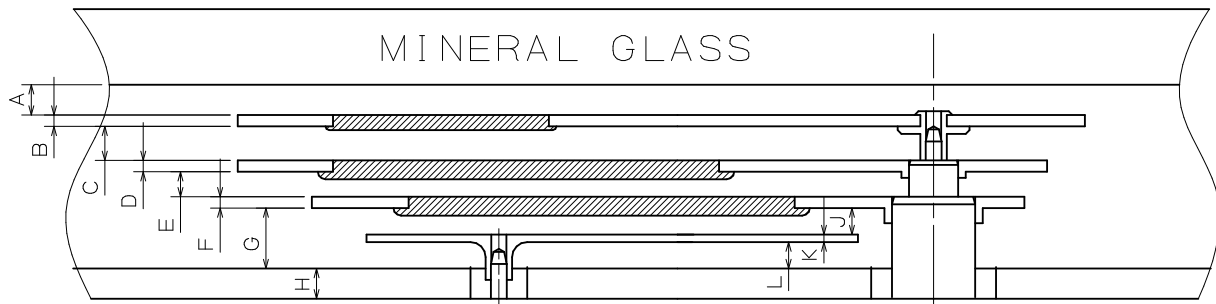
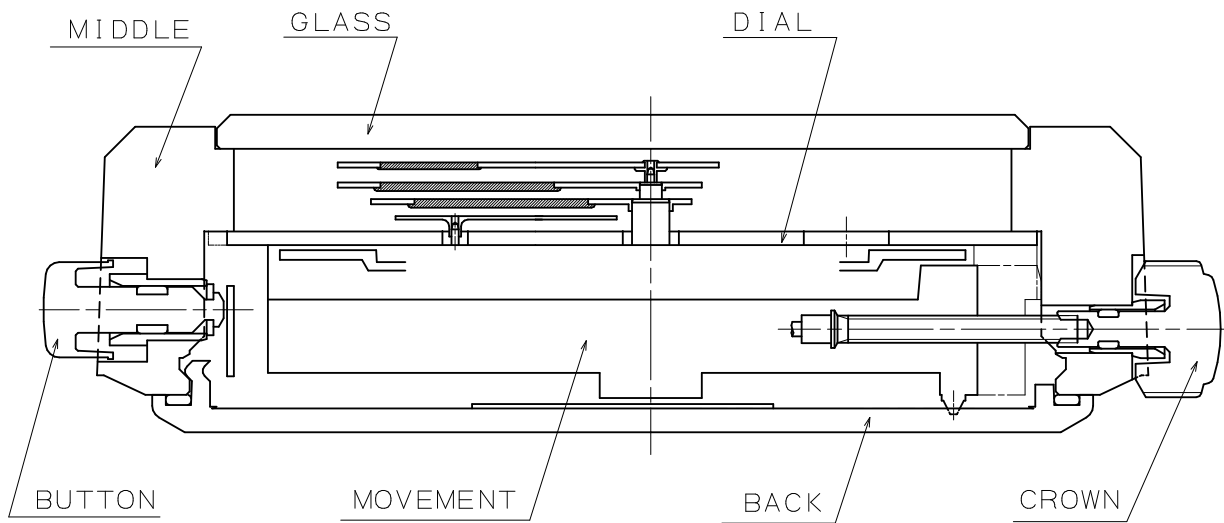
	TYPE M	TYPE L
A	40	85





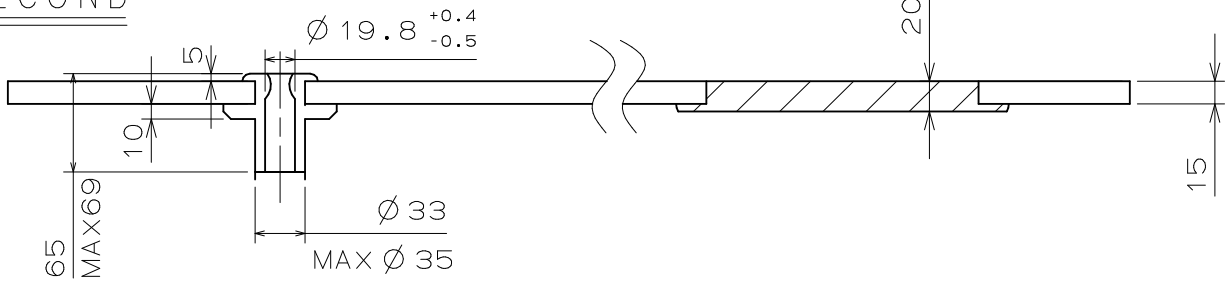
\*Acrylic Glass 50  
 \*Mineral Glass 40

	TYPE M	TYPE L
A	287	332
B	403	448
C	40	85
D	245	290
E	520	565
F	230	275

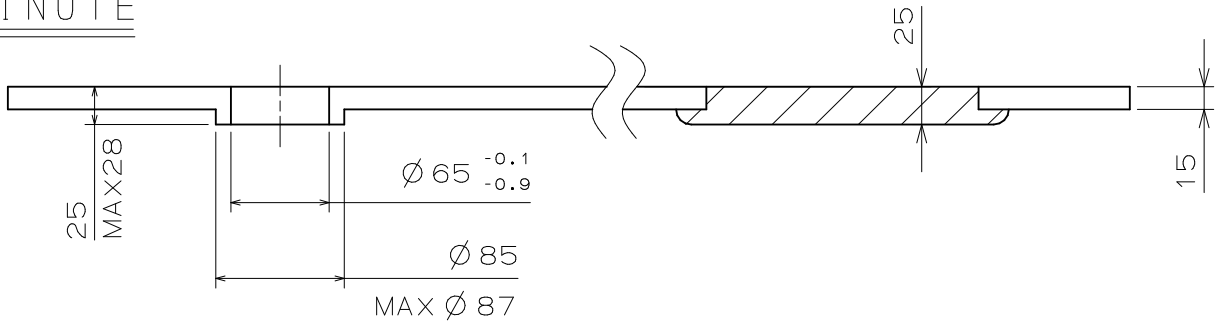


	TYPE M	TYPE L
A	40	40
B	15	15
C	45	45
D	15	15
E	33	33
F	15	15
G	80	80
H	40	85
J	35	35
K	10	10
L	35	35

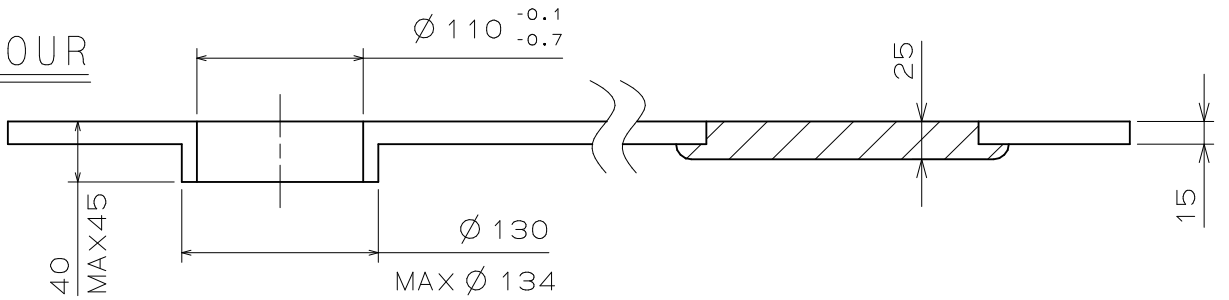
SECOND



MINUTE



HOUR



CHRONO

