

RONDA normtech 700 & 6000

Lange Batterielaufzeit und spezielle Funktionen

Caliber 715Li – 11½'''



Product Specifications

Analog quartz movement

Line normtech

Caliber 715Li

Size 11½'''

Version Swiss Made 5 Jewels / gold plated
Swiss Parts 5 Jewels / nickel plated

Standard battery life 10 Years

Hand fitting height 1

Features

- Repairable metal watch movement
- Very long battery life
- Power saving mechanism with pulled out stem: Reduction of consumption approximately 70%
- Lithium battery

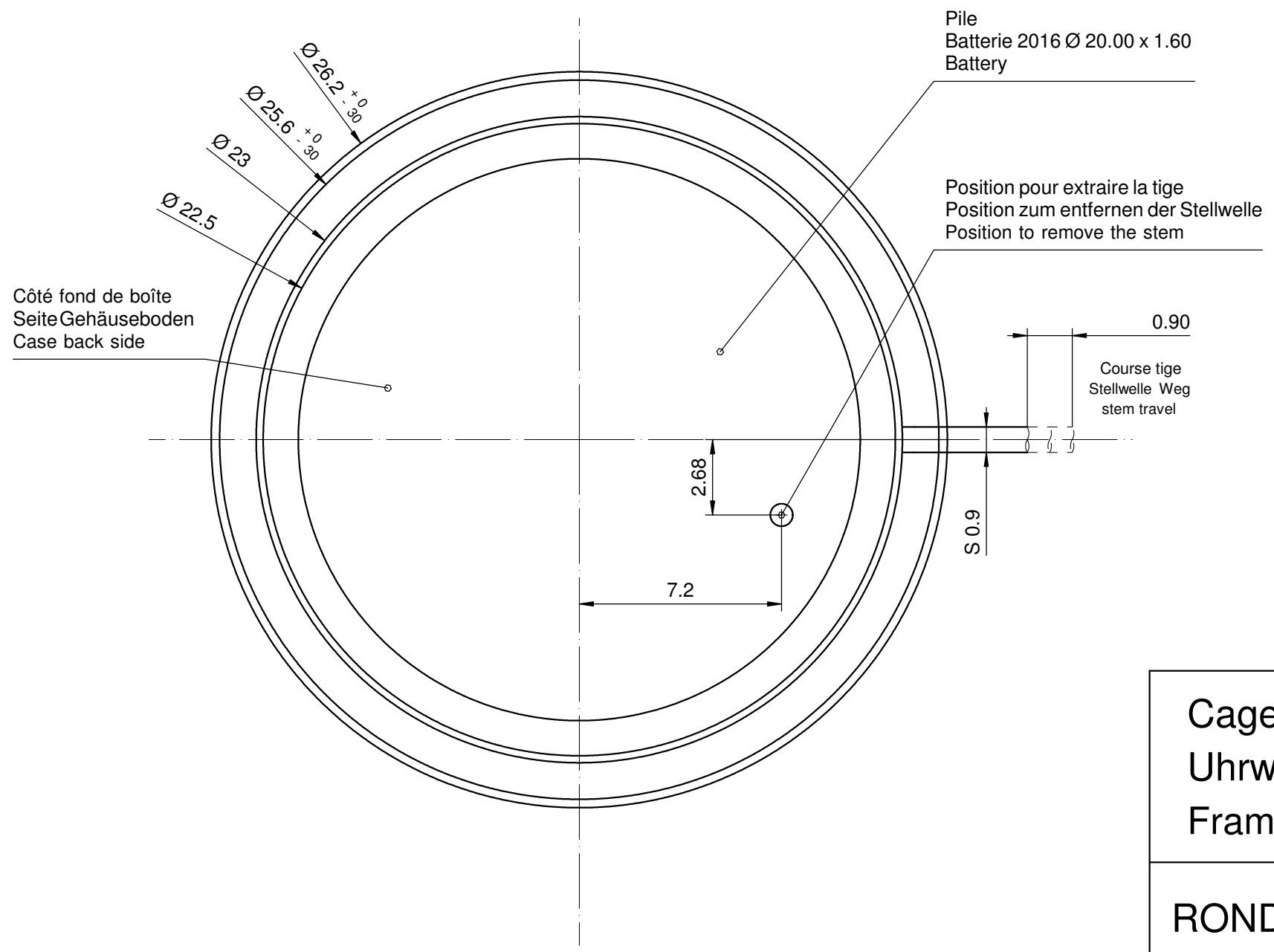
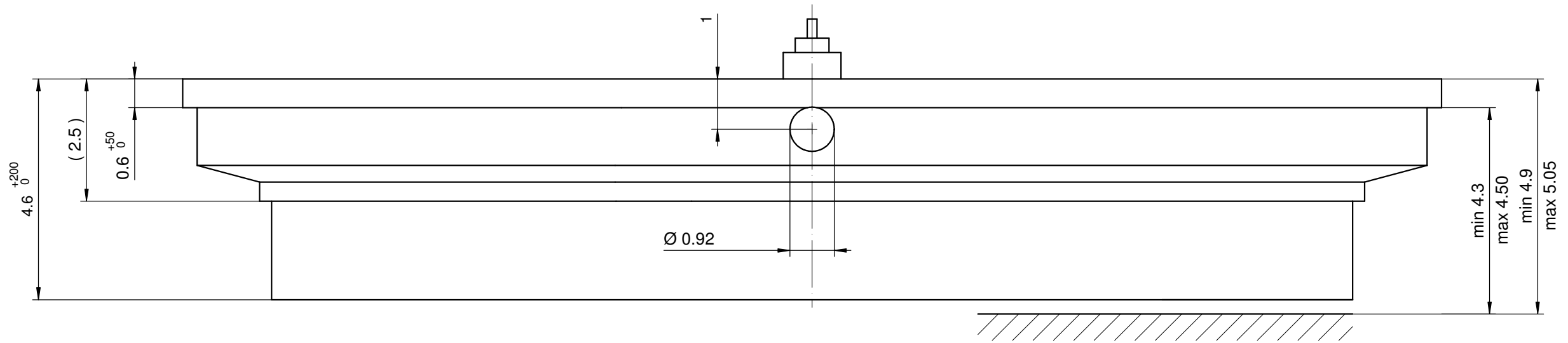
Functions

- Date
- 3 hands

Technical Specifications

Diameter Total	26.00 mm
Case fitting	25.60 mm
Movement height	4.60 mm
Height over standard battery	4.60 mm
Movement rest	0.60 mm
Height over stem	1.00 mm
Length of stem travel	0.90 mm
Stem thread	0.90 mm
Standard battery	CR2016
Standard battery life	10 Years
Battery voltage	3 V
Current consumption – typical	0.52 µA (Date Mechanism not in Gear)
Current consumption – maximum	0.7 µA (Date Mechanism not in Gear)
Useful torque second – typical	8 µNm
Useful torque minute – typical	400 µNm
Operating temperature	0 - 50 °C
Instantaneous rate	-10/ +20 sec/month
Resistance to magnetic fields	18.8 Oe
Resistance against shock	NIHS 91-10



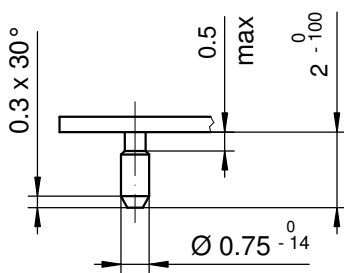
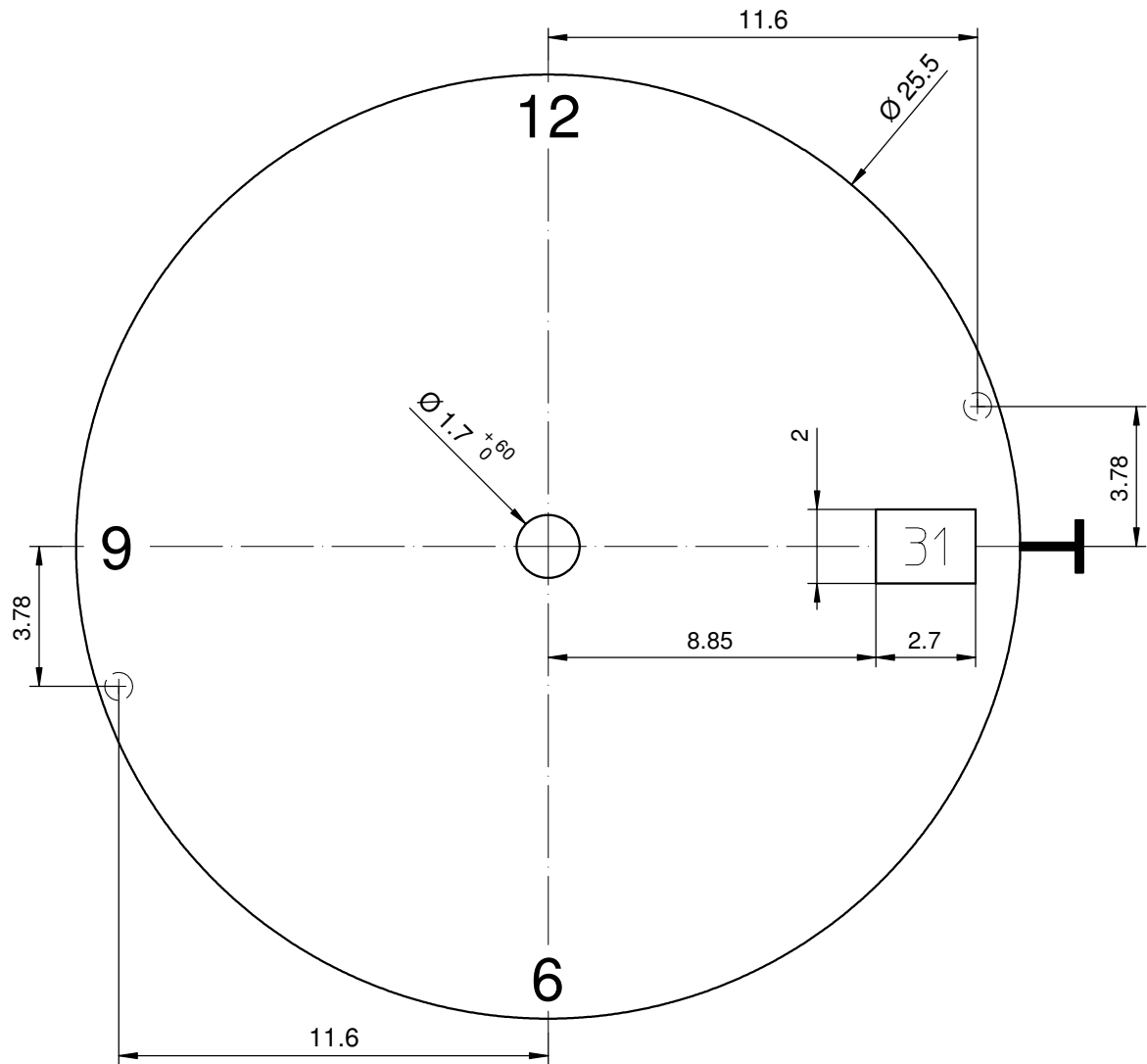


Sécurité entre l'aiguille des seconde et le verre : min 0.30 mm
 Sicherheit zwischen Sekundenzeiger und Glas : min 0.30 mm
 Security between second hand and glass : min 0.30 mm

Le cadran doit être tenu par la boîte.
 Das Zifferblatt muss durch die Schale gehalten werden.
 The dial must be hold by the case.

Cage Uhrwerkgestell Frame		Issued	10 Jan 1991	pr
		Modified	23 Jun 2011	dh
		Released	ÄA 11169	
		Tolerance	+/- 20 µm	
		Scale	10 : 1 (5 : 1) (A3H)	
RONDA	715Li	Sous réserve de modifications Aenderungsvorbehalten Modificationsreserved		
		No.	5000.264	11

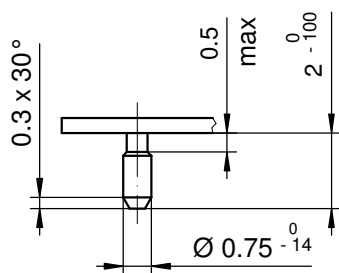
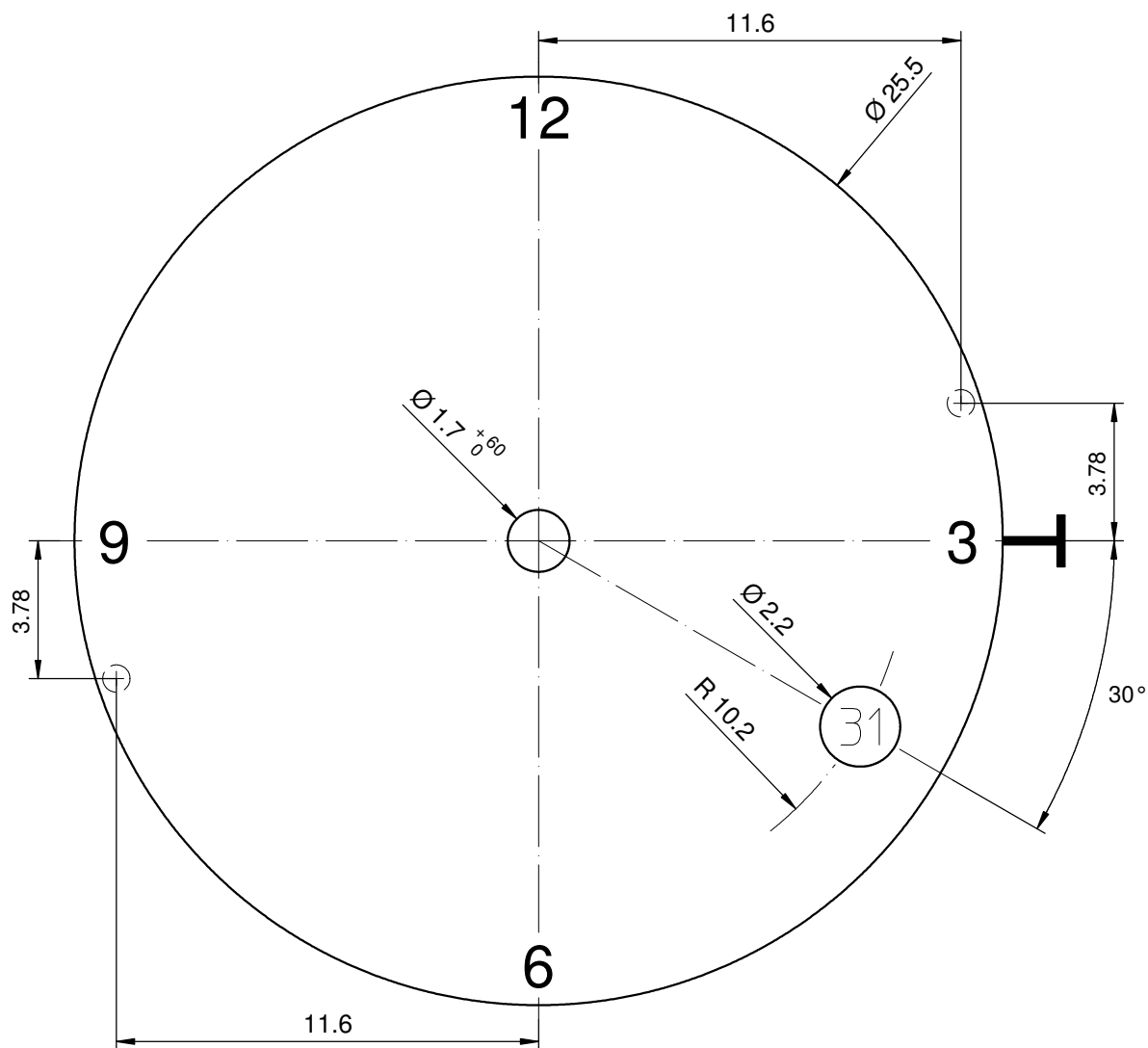
11 1/2'''



Epaisseur du cadran selon hauteur de l'aiguillage
 Zifferblattdicke gemäss Zeigerwerkhöhen
 Dial thickness according to hand fitting heights

Tige	Date
Stellw.	Datum
Stem	Date
3H	3H

Cadran Zifferblatt Dial	11½"	Issued	14 Dez 2006	cw
		Modified	13 Aug 2012 ÄA 12806	mc
		Released	YES	
		Tolerance	+/- 20 µm	
		Scale	5 : 1 (A4V)	
RONDA	515, 515S, 714, 715, 715Li	Sous réserve de modifications Aenderungenvorbehalten Modificationsreserved		
		No.	5010.417	09



Epaisseur du cadran selon hauteur de l'aiguillage
 Zifferblattdicke gemäss Zeigerwerkhöhen
 Dial thickness according to hand fitting heights

Tige	Date
Stellw.	Datum
Stem	Date
3H	4H
○	

Cadran
Zifferblatt 11 1/2"
Dial

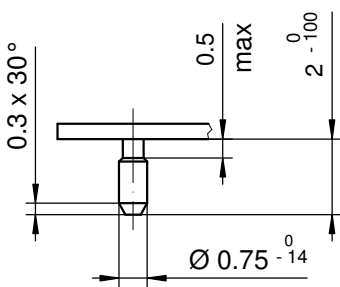
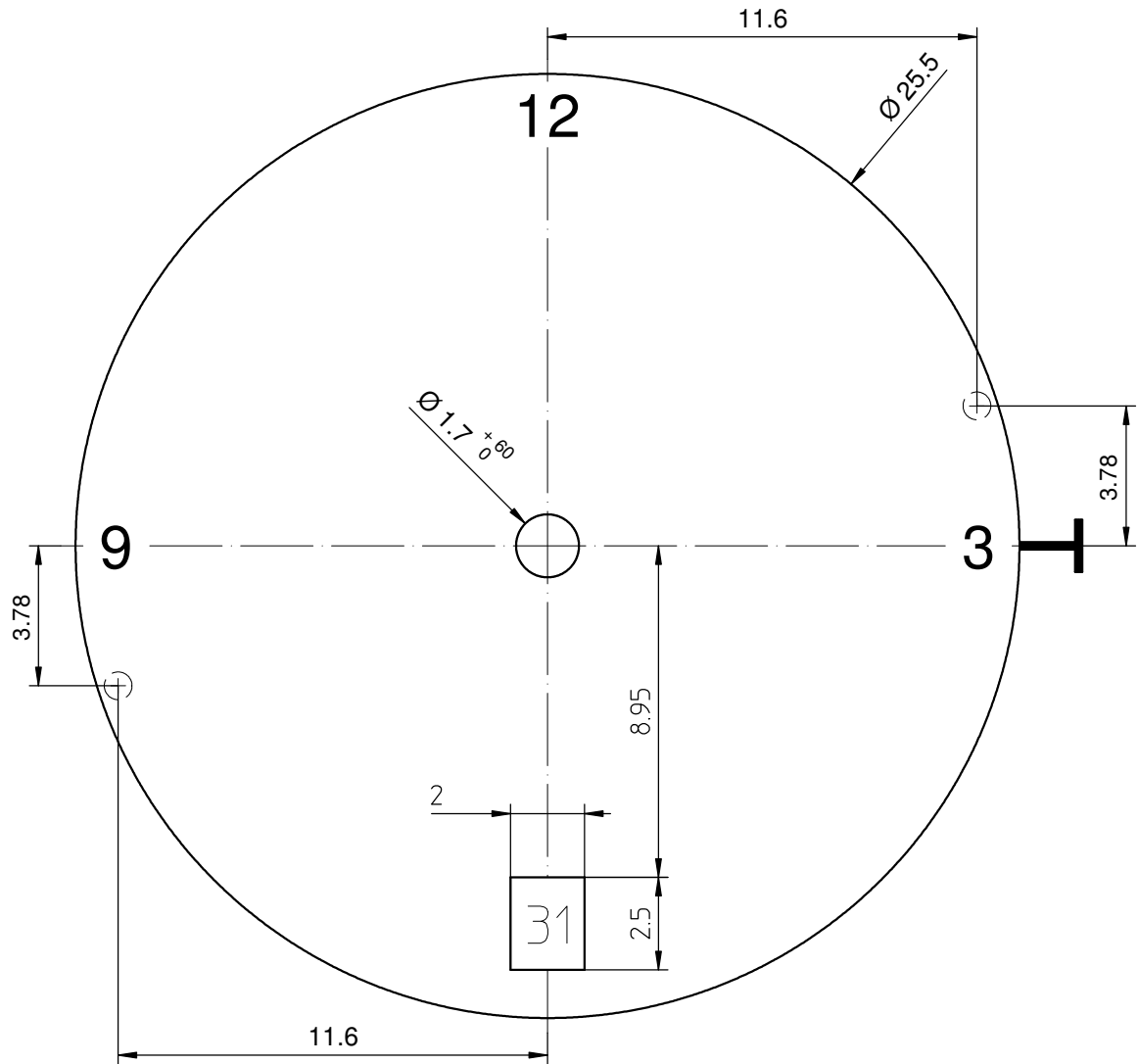
Issued	14 Dez 2006	cw
Modified	31 Mai 2013 ÄA 13427	dh
Released	YES	
Tolerance	+/- 20 µm	
Scale	5 : 1 (A4V)	

RONDA

515, 515S, 714, 715, 715Li

Sous réserve de modifications
 Aenderungenvorbehalten
 Modifications reserved

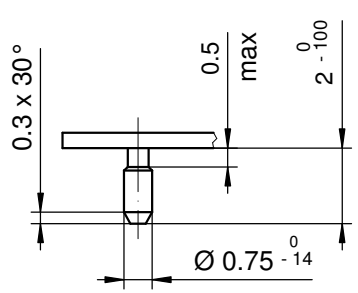
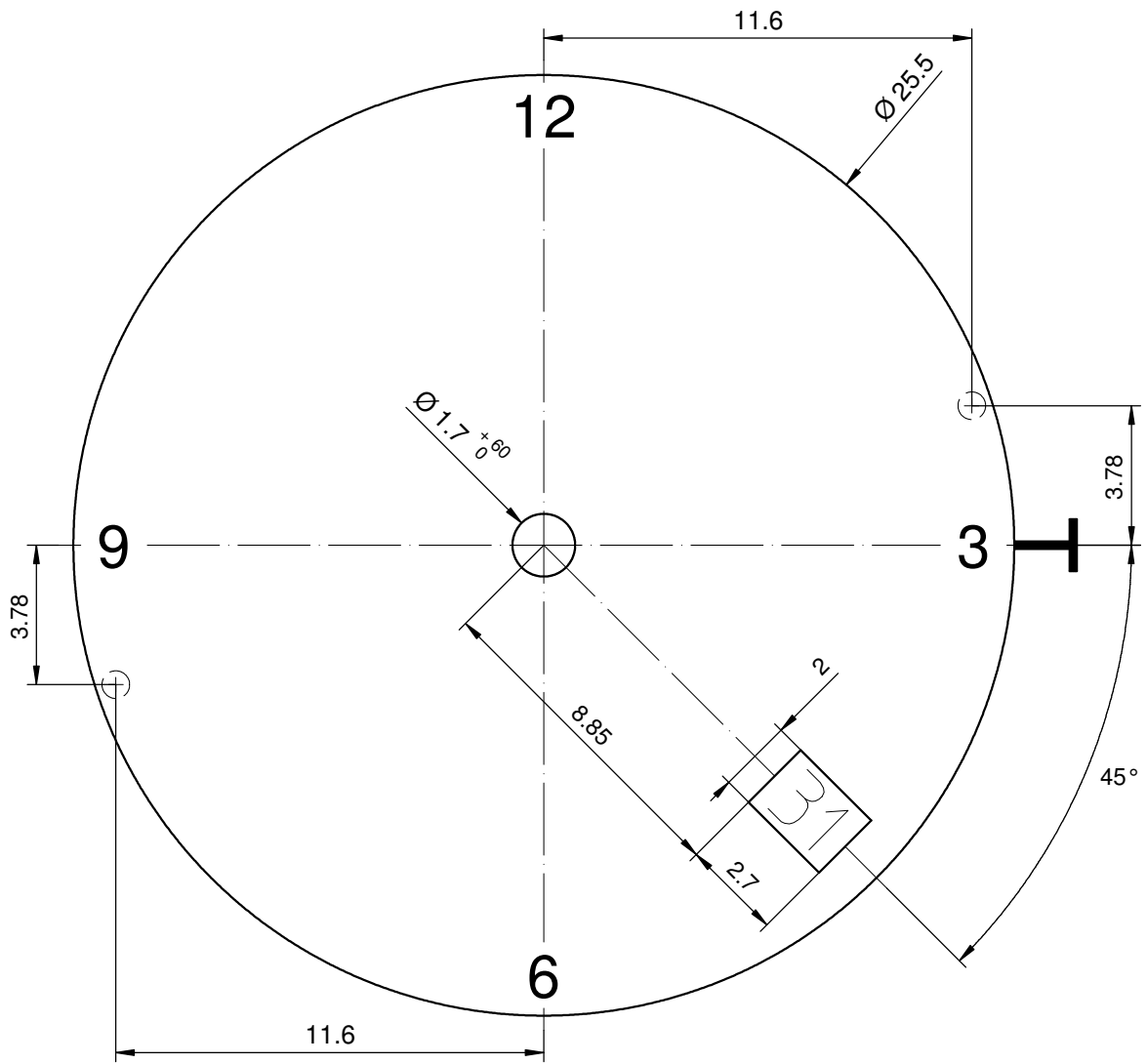
No.	5010.615	05
-----	----------	----



Epaisseur du cadran selon hauteur de l'aiguillage
 Zifferblattdicke gemäss Zeigerwerkhöhen
 Dial thickness according to hand fitting heights

Tige	Date
Stellw.	Datum
Stem	Date
3H	6H

Cadran Zifferblatt Dial	11½"	Issued	14 Dez 2006	cw
		Modified	13 Aug 2012 ÄA 12806	mc
		Released	YES	
		Tolerance	+/- 20 µm	
		Scale	5 : 1 (A4V)	
RONDA	515, 515S, 714, 715, 715Li	Sous réserve de modifications Aenderungenvorbehalten Modificationsreserved		
		No.	5010.467	07

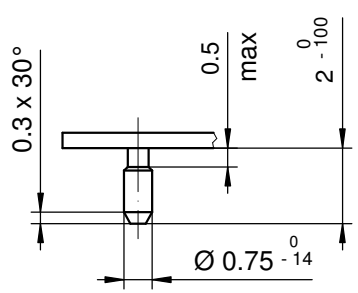
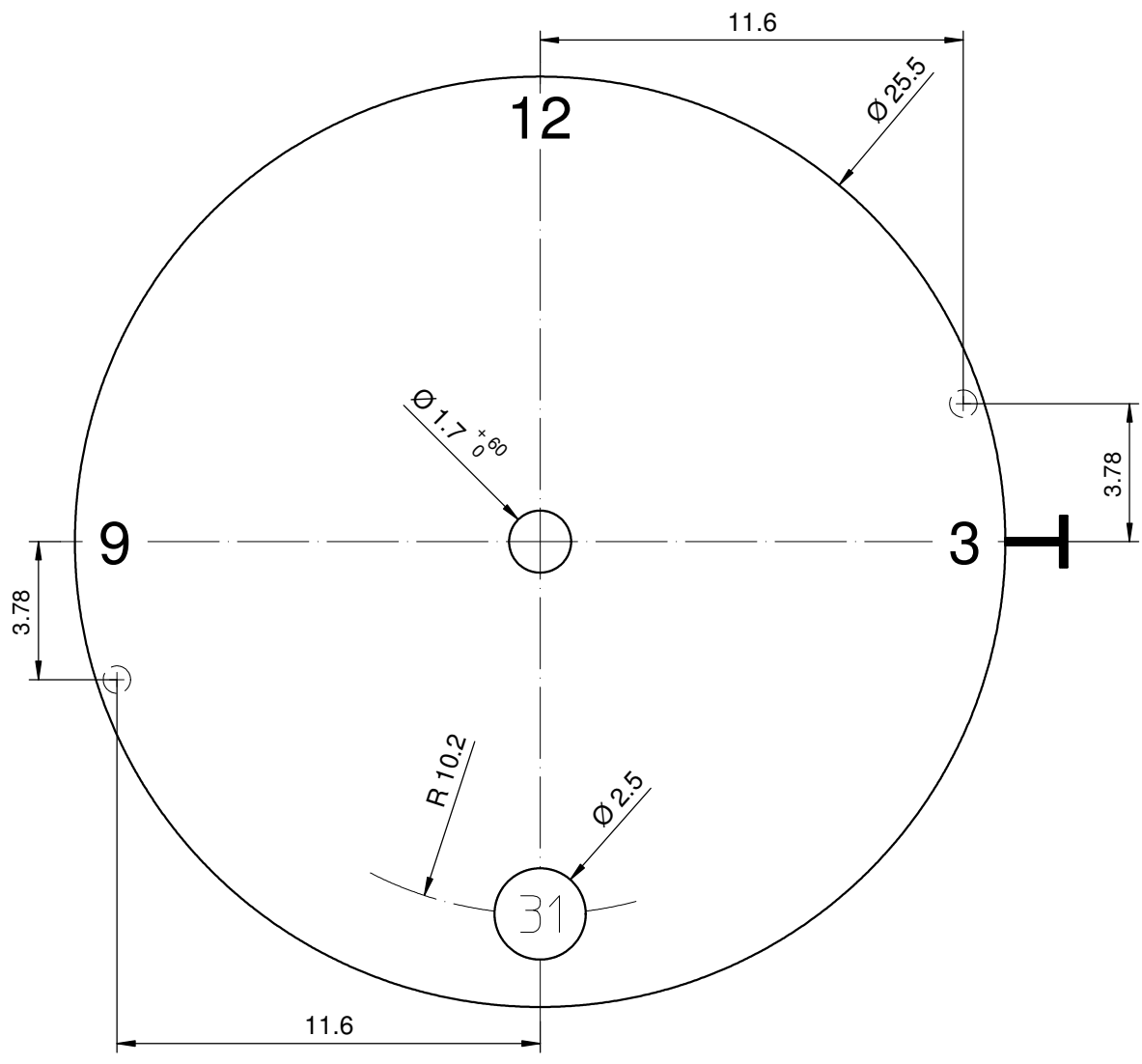


Epaisseur du cadran selon hauteur de l'aiguillage
 Zifferblattdicke gemäss Zeigerwerkhöhen
 Dial thickness according to hand fitting heights

Tige	Date
Stellw.	Datum
Stem	Date
3H	4½H

Cadran Zifferblatt Dial	11½"	Issued	14 Dez 2006	cw
		Modified	13 Aug 2012 ÄA 12806	mc
		Released	YES	
		Tolerance	+/- 20 µm	
		Scale	5 : 1 (A4V)	

RONDA	515, 515S, 714, 715, 715Li	Sous réserve de modifications Aenderungenvorbehalten Modificationsreserved		
		No.	5010.580	04

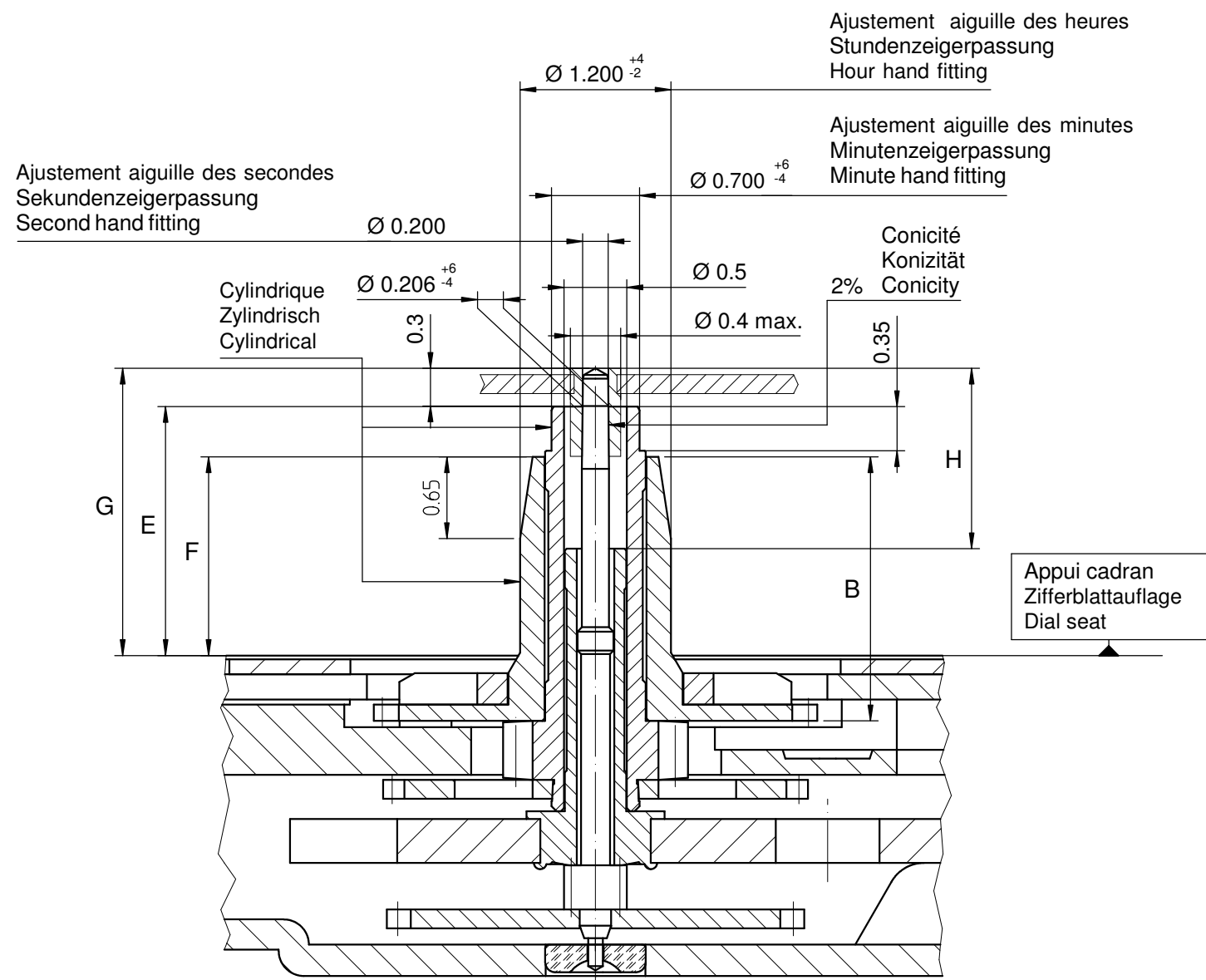


Epaisseur du cadran selon hauteur de l'aiguillage
 Zifferblattdicke gemäss Zeigerwerkhöhen
 Dial thickness according to hand fitting heights

Tige	Date
Stellw.	Datum
Stem	Date
3H	6H
○	

Cadran Zifferblatt Dial	11½"	Issued	14 Dez 2006	cw
		Modified	13 Aug 2012 ÄA 12806	mc
		Released	YES	
		Tolerance	+/- 20 µm	
		Scale	5 : 1 (A4V)	

RONDA	515, 515S, 714, 715, 715Li	Sous réserve de modifications Aenderungenvorbehalten Modificationsreserved		
		No.	5010.534	04



Heures / minutes / secondes
 Stunden / Minuten / Sekunden
 Hours / minutes / seconds

Aiguillage no Zeigerwerkhöhe Nr. Hand fitting height No	Dépassement Höhe über Zifferblattauflage Height over dial seat			Longueur Länge Length		Epaisseur max. (peinture comprise) Max. Dicke (inkl. Farbe) Max. thickness (paint included)			
	Pignon des secondes Sekundentrieb Second pinion	Chaussée Minutenrohr Cannon-pinion	Roue des heures Stundenrad Hour wheel		Roue des heures Stundenrad Hour wheel	Cadran Zifferblatt Dial			Aiguilles Zeiger Hands
	G	E	F	H	B	Sous l'aiguille des secondes Unter Sekundenzeiger Under second hand	Sous l'aiguille des minutes Unter Minutenzeiger Under minute hand	Sous l'aiguille des heures Unter Stundenzeiger Under hour hand	
6	2.29	1.98	1.58	1.44	2.10	1.75	1.55	0.40	0.15
-									

		Aig. des secondes Sekundenzeiger Second hand	Aig. des minutes Minutenzeiger Minute hand	Aig. des heures Stundenzeiger Hour hand	Lors de la pose d'aiguilles, le mouvement doit être soutenu. Beim Zeigersetzen muss das Werk abgestützt werden. The movement needs to be supported for hand setting.
		775, 785	705, 715, 715Li	Alle/Tous/All	Kaliber/Calibre/Caliber
mg	max.	10	10	30	30
µNm	max.	0.05	0.05	0.70	0.70
gmm ²	max.	0.2	0.4	-	-
N	max.	30	30	40	40

Sous réserve de toutes modifications

Aenderungen vorbehalten

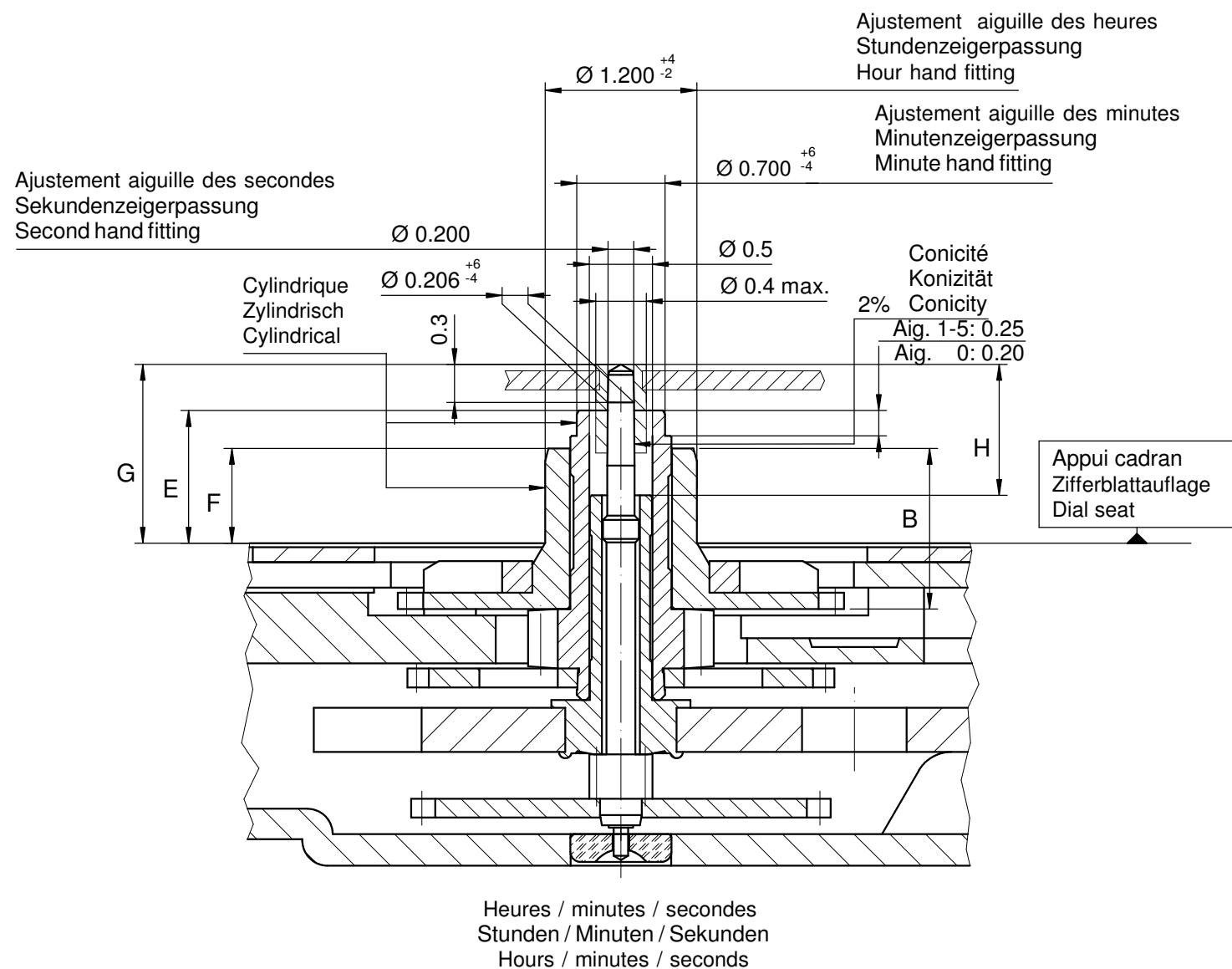
All modifications reserved

Aiguillages Zeigerwerkhöhen Hand fitting heights	7 ³ / ₄ " , 8 ³ / ₄ "	Issued	14 Okt 2002	cw
	10 ¹ / ₂ " , 11 ¹ / ₂ "	Modified	03 Feb 2012 ÄA 12073	ds
		Released	Yes	
		Tolerance	µm	
		Scale	20 : 1 (A3H)	
RONDA	775, 785, 705, 715, 715Li	Sous réserve de modifications Aenderungen vorbehalten Modifications reserved		
		No.	3316.077	08

* En cas de données différentes, veuillez contacter le service après-vente

* Bei abweichenden Werten, bitte technischen Kundendienst anfragen

* In case of different values, please contact the customer service



Aiguillage no Zeigerwerkhöhe Nr. Hand fitting height No	Dépassement Höhe über Zifferblattauflage Height over dial seat			Longueur Länge Length		Epaisseur max. (peinture comprise) Max. Dicke (inkl. Farbe) Max. thickness (paint included)			
	Pignon des secondes Sekundentrieb Second pinion	Chaussée Minutenrohr Cannon-pinion	Roue des heures Stundenrad Hour wheel			Cadran Zifferblatt Dial			Aiguilles Zeiger Hands
	G	E	F	H	B	Sous l'aiguille des secondes Unter Sekundenzeiger Under second hand	Sous l'aiguille des minutes Unter Minutenzeiger Under minute hand	Sous l'aiguille des heures Unter Stundenzeiger Under hour hand	
0	1.17	0.85	0.60	0.79	1.12	0.65	0.45	0.30	0.15
1	1.42	1.05	0.75	1.04	1.27	0.90	0.65	0.40	0.15
2	1.62	1.25	0.95	1.24	1.47	1.10	0.85	0.60	0.15
3	1.94	1.53	1.23	1.09	1.75	1.40	1.10	0.90	0.15
4	2.29	1.88	1.58	1.44	2.10	1.75	1.45	1.25	0.15
5	3.95	3.55	3.24	1.59	3.76	3.45	3.15	2.90	0.15

		Aig. des secondes Sekundenzeiger Second hand	Aig. des minutes Minutenzeiger Minute hand	Aig. des heures Stundenzeiger Hour hand	Lors de la pose d'aiguilles, le mouvement doit être soutenu. Beim Zeigersetzen muss das Werk abgestützt werden. The movement needs to be supported for hand setting.
		775, 785	705, 715, 715Li	Alle/Tous/All	Kaliber/Calibre/Caliber
mg	max.	10	10	30	30
μNm	max.	0.05	0.05	0.70	0.70
gmm ²	max.	0.2	0.4	-	-
N	max.	30	30	40	40

Sous réserve de toutes modifications

Aenderungen vorbehalten

All modifications reserved

Aiguillages
Zeigerwerkhöhen
Hand fitting heights

7³/₄" , 8³/₄"
10¹/₂" , 11¹/₂"

Issued	09 Aug 1990	rh
Modified	07 Feb 2012 ÄA 12073	ds
Released	Yes	
Tolerance	μm	
Scale	20 : 1 (A3H)	

RONDA

775, 785, 705, 715,
715Li

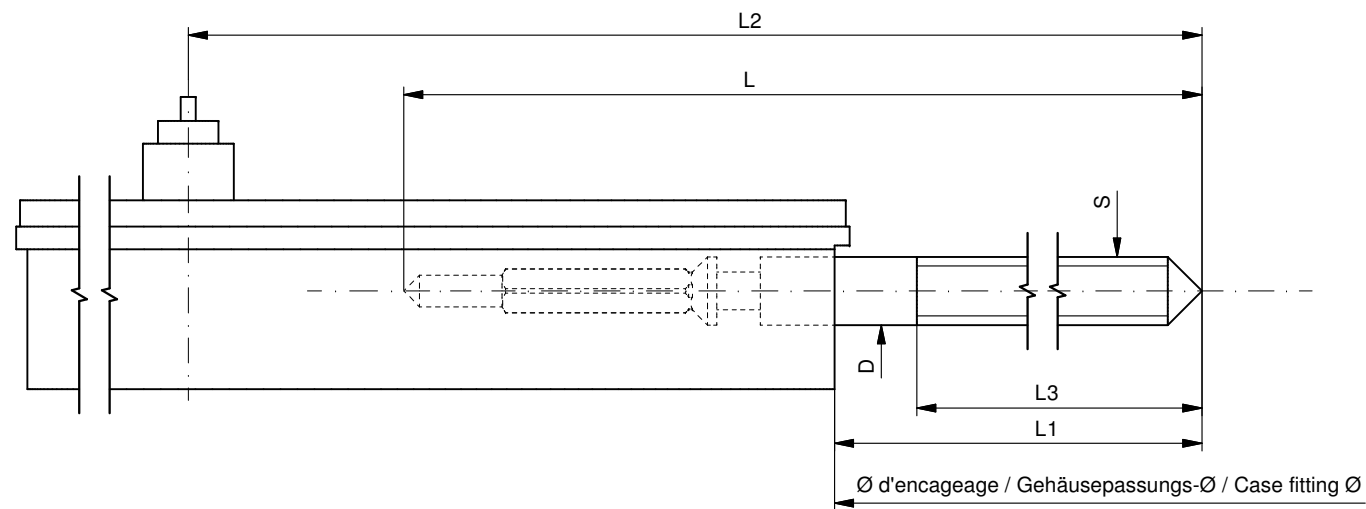
Sous réserve de modifications
Aenderungen vorbehalten
Modifications reserved

No.	3316.030	14
-----	----------	----

* En cas de données différentes, veuillez contacter le service après-vente

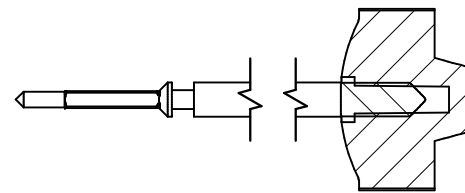
* Bei abweichenden Werten, bitte technischen Kundendienst anfragen

* In case of different values, please contact the customer service



Tige de travail (intégrée dans le mouvement)
 Arbeitstellwelle (im Werk eingebaut)
 Working stem (implemented in the movement)

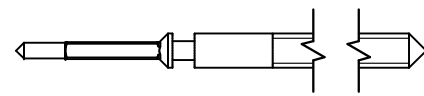
No. d'article Artikelnummer Part number	L	L1	L2	L3	S	D
3000.155.CO	20.24	10.11	22.91	9.82	0.90	0.90



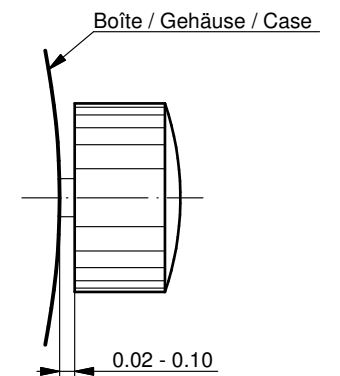
Couleur de la couronne Kronenfarbe Crown color	rose foncé dunkelrosa dark pink
Code	FK 23.168

Tige (normale) / Stellwelle (normal) / Stem (normal)

No. d'article Artikelnummer Part number	L	L1	L2	L3	S	D
3000.155	20.24	10.11	22.91	9.82	0.90	0.90
3000.158	25.00	14.87	27.67	14.58	0.90	0.90
3000.138	32.00	21.87	34.67	20.28	0.90	0.90

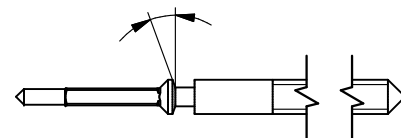


Couronne normale
 Normale Krone
 Normal crown



Tige (à arracher)
 Stellwelle (Ausreissversion)
 Stem (extractable version)

No. d'article Artikelnummer Part number	L	L1	L2	L3	S	D
3000.157	32.00	21.87	34.67	21.58	0.90	0.90

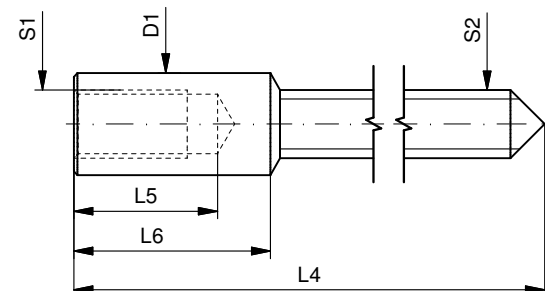


Couronne vissée
 Geschraubte Krone
 Screwed crown

Force ⇄ min. Kraft ⇄ min. Force ⇄ min.	10 N
Force ⇄ max. Kraft ⇄ max. Force ⇄ max.	15 N

Rallonge de tige / Stellwelle Verlängerung / Stem extension

No. d'article Artikelnummer Part number	L4	L5 (min)	L6	S1	S2	D1
3000.040	12.00	1.90	2.60	0.90	0.90	1.35



Tige (dimensions / forces)
 Stellwelle (Dimensionen / Kräfte)
 Stem (dimensions / forces)

RONDA 712, 713, 714, 715, 715Li

Issued	22 Aug 2012	ds5222
Modified	17 Mär 2017 ÄA 34582	mg5224
Released	YES	
Tolerance	---	
Scale	10:1 (A3)	

Sous réserve de modifications
 Änderungen vorbehalten
 Modifications reserved

No.	5030.007	02
-----	----------	----

User's Manual English

Movements Caliber

RONDA powertech

– 585
– 505
– 515

RONDA slimtech

– 1005
– 1006
– 1009
– 1015
– 1016
– 1019

RONDA normtech

– 774 – 6003.D
– 775 – 6004.D
– 704 – 6003.B
– 705 – 6004.B
– 784
– 785
– 714
– 715
– 715Li

RONDA mastertech

– 7002.B
– 7003.B
– 7004.B

You have decided to buy a watch, which was assembled by a watchmaker using a Ronda movement. Please note that no watches are produced or distributed under the Ronda brand.

In case of repairs, guarantee claims and questions concerning the functioning of a watch, purchasers and consumers should contact their retailer or the watch manufacturer, for which the relevant information can be found in the sales or guarantee documentation provided with the watch.

Cal. 585 / 785:

Battery type: 362/SR721SW

Cal. 774 / 775 / 784:

Battery type: 364/SR621SW

Cal. 505 / 515 / 704 / 705 / 714 / 715:

Battery type: 371/SR920SW

Cal. 6003.D / 6004.D / 6003.B / 6004.B:

Battery type: 373/SR916SW

Cal. 1005 / 1006 / 1009 / 1015 / 1016 / 1019:

Battery type: 341/SR714SW

Cal. 7002.B / 7003.B / 7004.B:

Battery type: 381/SR1120SW

Cal. 715Li:

Battery type: CR 2016

Precision: +20/-10 seconds per month

Cal. 585

Cal. 6003.D

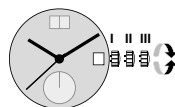
Cal. 505

Cal. 6004.D

Cal. 515

Cal. 6003.B

Cal. 6004.B



Pos. I Position of rest (watch running)

Pos. II Quick-change correction for date

The date can also be corrected during the day-changing phase between 10 pm and midnight. The date of the following day has to be set, because no automatic date change takes place at midnight.

- Pull the crown out to position II (watch still running).
- Turn the crown clockwise until the required date appears.

Cal. 6003.D & 6004.D:

- Turn the crown until the required date appears.
- Push the crown back into position I.

Pos. III Setting the time

- Pull the crown out to position III (watch stopped).
- Turn the crown, until the current time is displayed (remember the 24-hour cycle).
- Push the crown back into position I.

Cal. 774

Cal. 715Li

Cal. 775

Cal. 704

Cal. 1005

Cal. 705

Cal. 1006

Cal. 784

Cal. 1009

Cal. 785

Cal. 1015

Cal. 714

Cal. 1016

Cal. 715

Cal. 1019



Pos. I Position of rest (watch running)

Pos. II Quick-change correction for date

Blocking time for the quick-change day correction is from approx. 9.30 pm and midnight.

- Pull the crown out to position II (watch still running).
- Turn the crown until the current date appears.
- Push the crown back into position I.

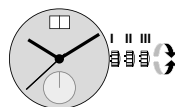
Pos. III Setting the time

- Pull the crown out to position III (watch stopped).
- Turn the crown, until the current time is displayed (remember the 24-hour cycle).
- Push the crown back into position I.

Cal. 7002.B

Cal. 7003.B

Cal. 7004.B



Pos. I Position of rest (watch running)

Pos. II Quick-change correction for date

The date can also be changed during the day-changing phase between approx. 8.00 pm and midnight. The date of the following day has to be set, because no automatic date change takes place at midnight.

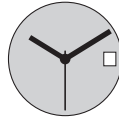
- Pull the crown out to position II (watch still running).
- Turn the crown until the current date appears.
- Push the crown back into position I.

Pos. III Setting the time

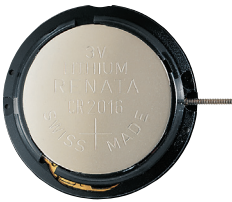
- Pull the crown out to position III (watch stopped).
- Turn the crown, until the current time is displayed (remember the 24-hour cycle).
- Push the crown back into position I.



11 1/2^{mm}



715 Li

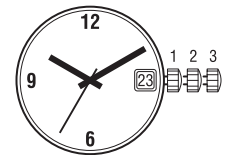


Funktionen

Fonctions

Functions

Kaliber Calibre Caliber	Stellwellenpos. Pos. de tige Stem position	Funktionen Fonctions Functions
715 Li	1	Normale Position / Position normale / Running position
	2	Datumkorrektur / Correction de la date / Date correction
	3	Zeiger stellen, Sekunden-Stopp mit Unterbruch der Motorimpulse Mise à l'heure, stop-seconde avec interruption des impulsions moteur Hand setting, stop-second with interruption of motor impulses



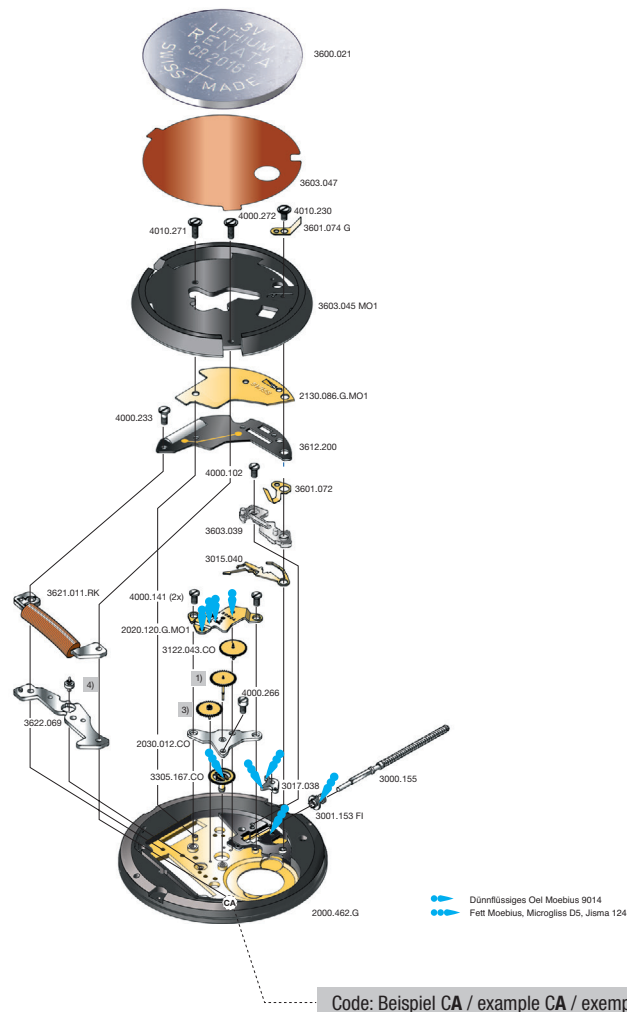
Batterie

Pile

Battery

Kaliber Calibre Caliber	Batterie Pile Battery	Spannung Voltage Tension	Artikelnummer RONDA Numero d'article RONDA Part number RONDA
715 Li	CR 2016	3 V	3600.021

11 1/2''' 715 Li



Cal. 715 Li	Werkseite / Côté mouvement / Movement side		
Nr./No./No.	Bestandteile	Fournitures	Spare Parts
2000.462.G	Werkplatte	Platine	Main Plate
2020.120.G.MO1	Räderwerkbrücke	Pont rouge	Train w. bridge
2030.012.CO	Zentrumbrücke	Pont centre	Centre bridge
2130.086.G.MO1	Modul-Abdeckp.	Couvre module	Module cover pl.
3000.155	Stellwelle	Tige	Stem
3001.053.FI	Kupplungstrieb	Pignon coulant	Sliding pinion
3015.040	Kuppl.-triebhebel	Bascule	Yoke
3017.038	Winkelhebel	Tirette	Setting lever
3122.043.CO	Kleinbodenrad	Roue moyenne	Third wheel
1)	Sekundenrad	Roue secondes	Second-wheel
3)	Zwischenrad	Roue interméd.	Intermed. wheel
3305.167.CO	Minutenrohr	Chaussée	Cannon pinion
3600.021	Batterie	Pile	Battery
3601.072	Batterie-Kontakt (-)	Bride contact (-)	Battery contact (-)
3601.074.G	Batterie-Kontakt (+)	Bride contact (+)	Battery contact (+)
3603.047	Batterie-Isolation	Isolateur pile	Battery insulation
3603.039	Deckplatte/ Ste.	Couvre mécan.	Setting lev. cover
3603.045.MO1	Support Li Batt.	Support pile Li	Support Li batt.
3612.200	Modul	Module	Module
3621.011.RK	Spule	Bobine	Coil
3622.069	Stator	Stator	Stator
4)	Rotor	Rotor	Rotor
4000.102	Schraube	Vis	Screw
4000.141	Schraube	Vis	Screw
4010.230	Schraube	Vis	Screw
4000.233	Schraube	Vis	Screw
4000.266	Schraube	Vis	Screw
4010.271	Schraube	Vis	Screw
4000.272	Schraube	Vis	Screw

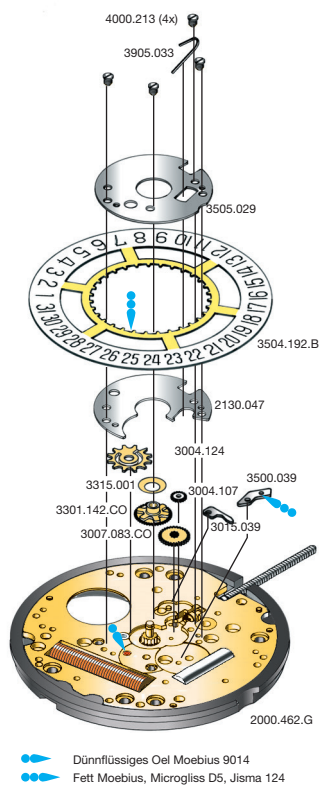
Cal. 715 Li	
Bis Juni 2014 Jusqu' en Juin 2014 Untill June 2014	Ab Juli 2014 A partir de Juillet 2014 From July 2014
Code	2. Buchstabe ... A Second letter ... A 2 ^{ème} chiffre: ... A
	2. Buchstabe: ab B Second letter: from B 2 ^{ème} chiffre: à partir de B
1)	3136.087.CO
3)	3147.019.CO
4)	3715.096.RK

Die obigen 3 Teile bilden jeweils eine Gruppe. Deshalb sind die 3 Teile jeder Gruppe nicht einzeln gegeneinander austauschbar.

Les 3 fournitures ci-dessous forment un groupe individuel. C'est pourquoi les 3 fournitures de chaque groupe ne sont pas interchangeables.

The 3 parts mentioned above are forming an individual group. Therefore the 3 parts of each group are not interchangeable.

11 1/2''' 715 Li

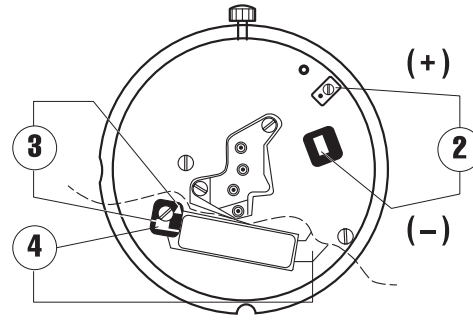
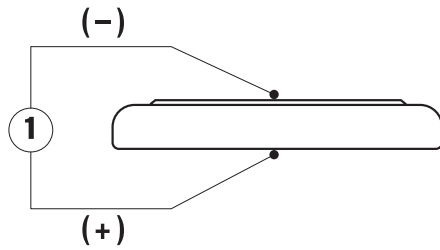


Cal. 715 Li Zifferblattseite / Côté cadran / Dial side			
Nr./No./No.	Bestandteile	Fournitures	Spare Parts
2130.047	Kalenderplatte	Plaque calend.	Date ind. plate
3004.107	Zeigerstellrad	Renvoi minuterie	Setting wheel
3004.124	Datumitn.-Rad	Renvoi entrain.	Ind. driving wheel
3007.083.CO	Wechselrad	Minuterie	Minute wheel
3015.039	Kup.triebhebel u.	Bascule dessous	Lower sec. yoke
3301.142.CO	Stundenrad	Canon	Hour wheel
3315.001	Spreizfeder	Clinquant 2 1/2	Washer 2 1/2
3500.039	Datmraste	Cliquet calend.	Date jumper
3504.192.B	Datumanzeiger	Bague	Date indicator
3505.029	Kal.-Abdeckplatte	Couvercle calend.	Date ind. guard
3905.033	Feder Datmraste	Ressort calend.	Date jumper spr.
4000.213	Schraube	Vis	Screw

Elektr. Messungen

Contrôles électriques

Electrical checking



Kaliber Calibre Caliber	Pos. Pos. Pos.	Einheit Unité Unit	Messwerte Valeurs mesurées Measured values	Kontrolle Contrôle Check	Bemerkungen Remarques Remarks
715 Li	1	V	3,0	Batterie-Spannung Tension de la pile Battery voltage	Batterie herausnehmen und messen Enlever et mesurer la pile Remove battery for measuring
715 Li	2	µA	0,4–0,9	Stromaufnahme (Kalender nicht im Eingriff) Consommation de courant (quantième non en prise) Current consumption (Date mechanism not in gear)	Ohne Batterie, mit externer Speisung Sans pile, avec alimentation externe Without battery, with external power supply
715 Li	2	V	≤ 2,1	Funktionskontrolle bei Minimalspannung Contrôle de fonctionnement à tension minimale Check with lowest possible voltage	Ohne Batterie, mit externer Speisung Sans pile, avec alimentation externe Without battery, with external power supply
715 Li	3	KΩ	2,35–2,55	Spulenwiderstand Résistance de la bobine Resistance of the coil	Ohne Batterie Sans pile Without battery
715 Li	4	KΩ	∞	Spulenisolation Isolation de la bobine Coil insulation	Ohne Batterie Sans pile Without battery
715 Li		Sek./Monat sec./mois sec./month	- 10/+ 20	Induktivsonde 60 Sek. Senseur inductif 60 sec. Inductive sensor 60 sec.	Mit Batterie Avec pile With battery

Einschalen / Werkzeuge

Emboîtage / outils

Casing / tools

Nr. H 71X.1A



Nr. H 71X.1T



SWISS MADE	SWISS PARTS

Zeigersetzen

Maximale Aufpresskraft:

- Stunden und Minutenzeiger: max. 40N
- Sekundenzeiger: max. 30N

Beim Zeigersetzen muss das Werk abgestützt werden.

Poser les aiguilles

Force de chassage maximale:

- Aiguilles des heure et des minutes: max. 40N
- Aiguille des secondes: max. 30N

Lors de la pose d'aiguilles, le mouvement doit être soutenu.

Hand setting

Maximal force:

- Hour and minute hands: max. 40N
- Second hand: max. 30N

The movement needs to be supported for hand setting.

Stellwelle entfernen

Beim Entfernen der Stellwelle muss sich die Stellwelle in Position 1 (gedrückt) befinden, bevor auf den Winkelhebel gedrückt wird.

Enlever la tige

En enlevant la tige, la tige doit se trouver en position 1 (poussée), avant de pousser sur la tirette.

Stem removal

For removal of the stem, the stem must be pushed into position 1 (pressed in) prior to apply pressure to the setting lever.