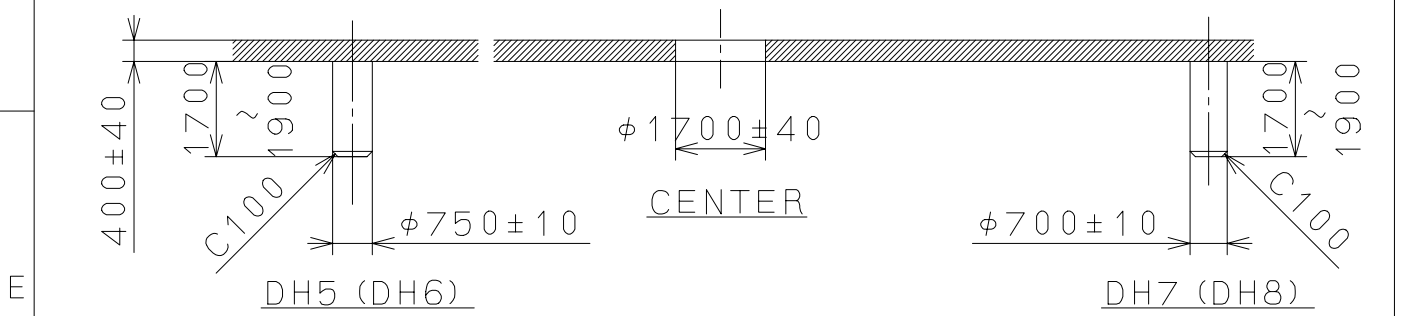
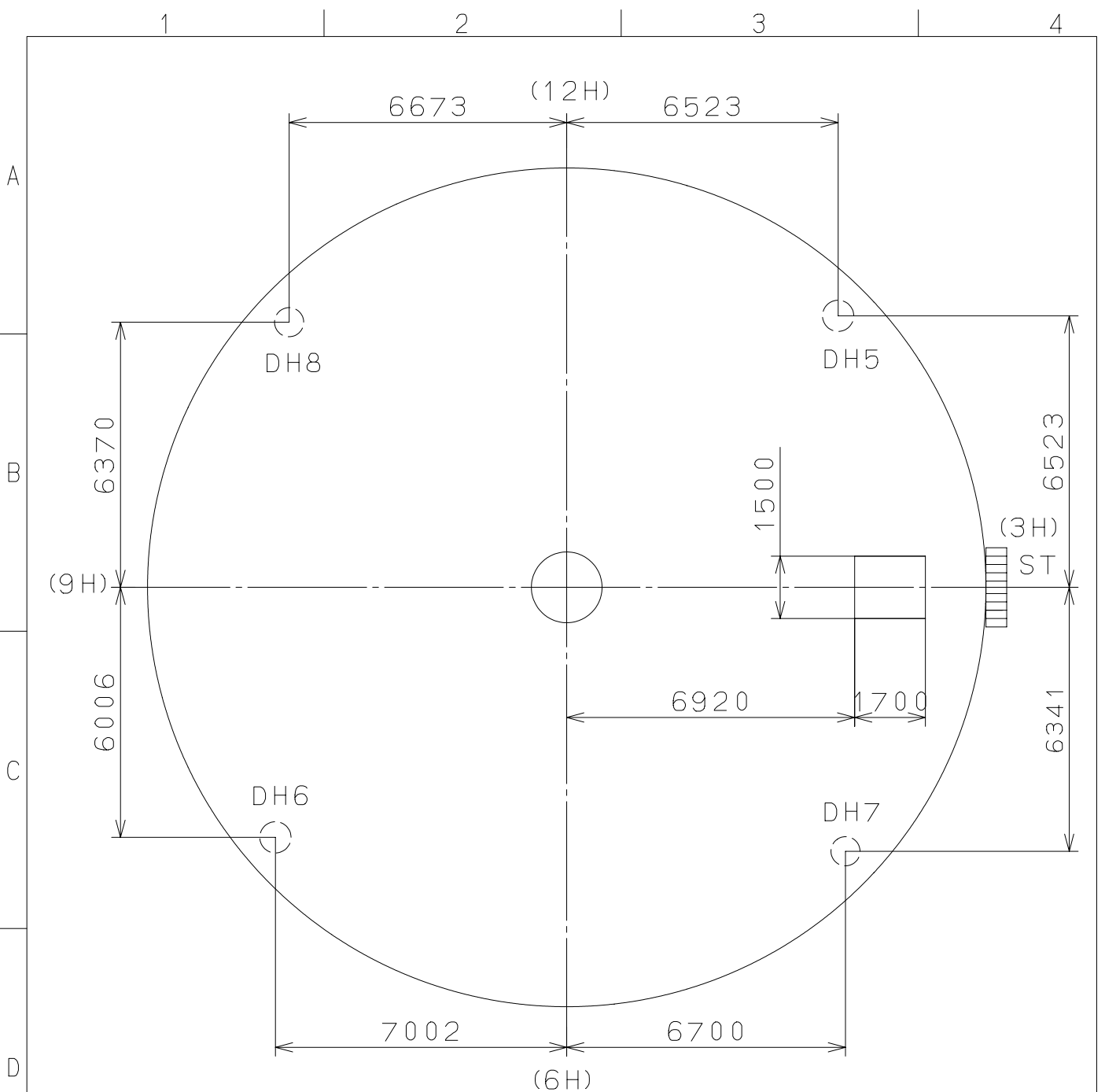


Material	Alterations	Date	Quantity	Unit	Cal. No.:
Heat Treatment	Description	Checked	1	1/1000 mm	GN12
Hardness	Appr.	Drawn	Scale	10/1	Parts No.:
Plating	Approved	M. Fukuda			
General Tolerances			Name: Frame for Case		
Dimensions			Drawing No.: GN10C000		
Angles			<p>MIYOTA</p> <p>CITIZEN WATCH CO., LTD. TOKYO, JAPAN</p>		

2005/01/20 (17:44:09)

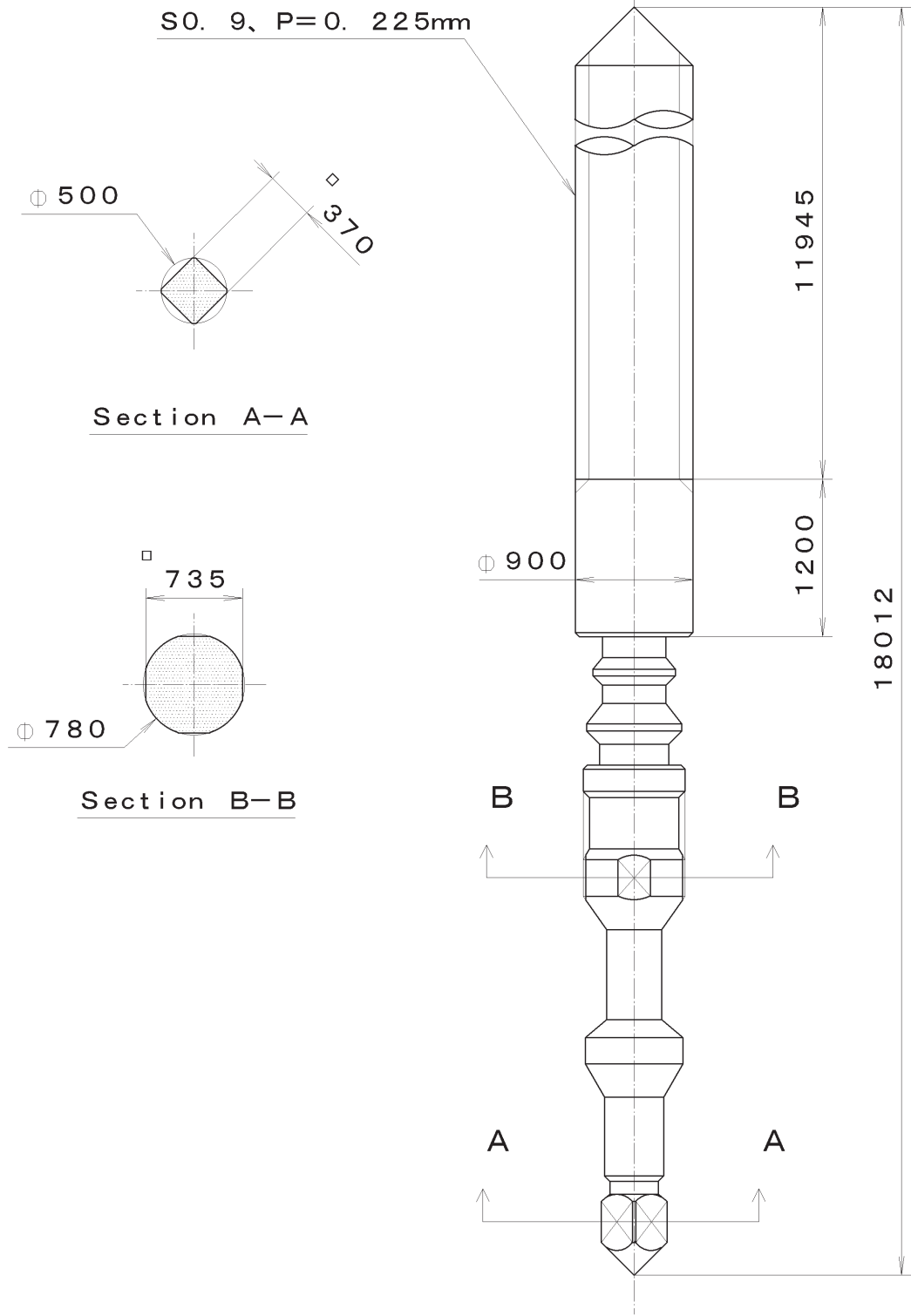
This drawing is provisional and subject to our reconfirmation and/or revision without notice.



△			Quantity			Cal. NO.: GN12-10A
△			Unit	1 / 1000 mm		
△			Scale	7 / 1		Parts No.:
△				Date	Name	
△			Drawn			
Mark	Date	Description	Appr.	Checked	M. Fukuda	Name:
Alterations			Approved			Indications for Dial
Material					Drawing No.: GN10D000	
Heat Treatment					General Tolerances	
Hardness					Dimensions	
Plating					Angles	
CITIZEN						CITIZEN WATCH CO., LTD. TOKYO, JAPAN

This drawing is provisional and subject to our reconfirmation and/or revision without notice.

*** T I P W 065-547 (01) *** (2100 1121) 02-07-12



7			Quantity		Ca l. No. :
6			Unit	1/1000 mm	
5			Scale	20:1	Parts:
4			Date		065-547
3			Drawn		Name:
2			Checked	T. Hiruta	SETTING STEM
1			Approved		Drawing No. : 5470S000
Material					MIYOTA
Heat Treatment			General Tolerances		
Hardness			Dimensions		
Plating			Angles		