

Watch Movement Specification and Drawing

Sweep Second Multi-Eye

VH65A



Movement Size: **10 1/2"**
 Diameter: **Φ23.70mm**
 Height: **3.45mm**

Items	Ver.	Items	Ver.
Specification	1		
Appearance	1		
Casing	1		
Hand Fitting	1		
Hand Setting Stem	1		
Dial	1		
Casing Ring	1		
Assembly Plan	1		
Hands	1		

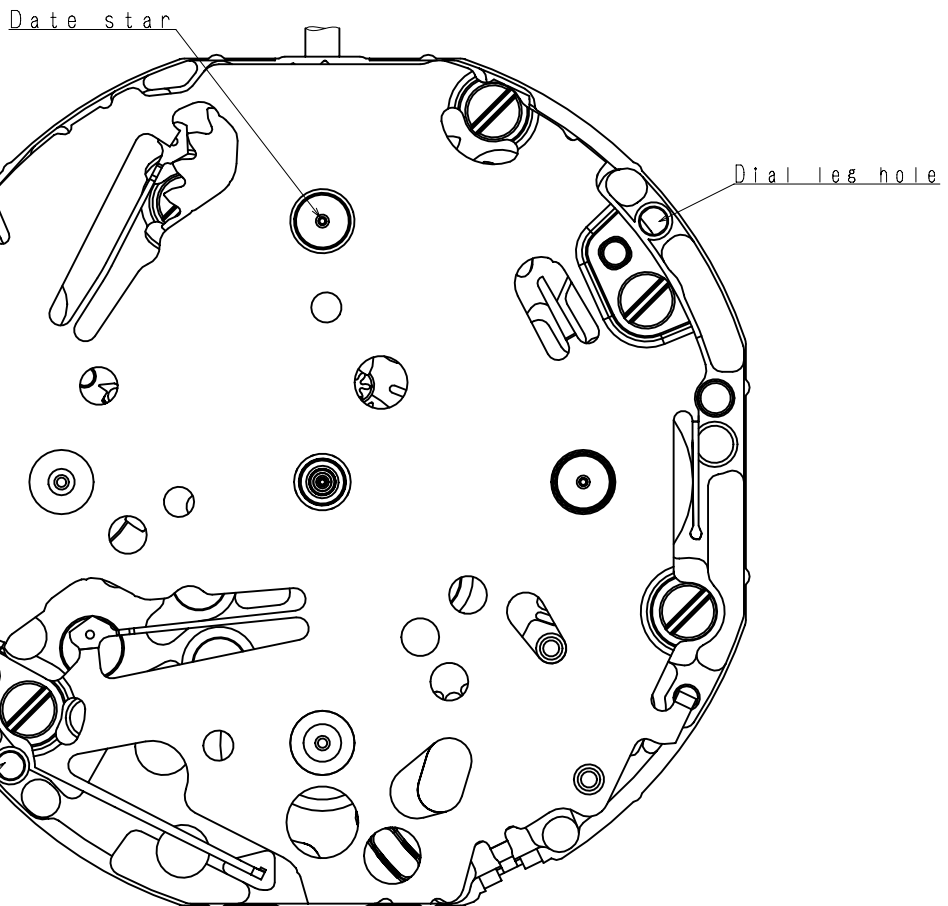
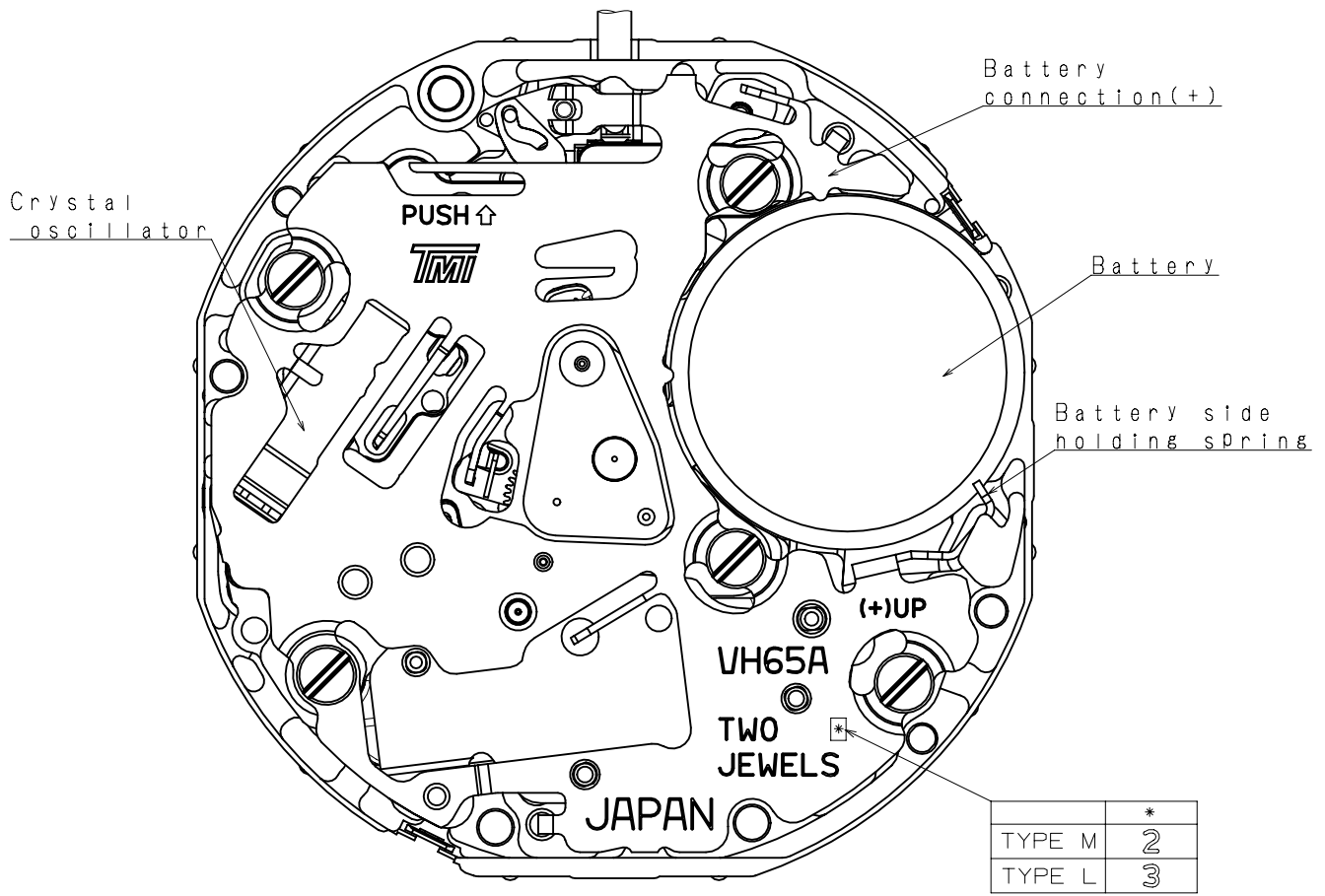
CAL.VH65A 10½ Ligne Quartz Movement**Three Hands (1/4 Center Second Hand) with 1 eye
Small Date Hand****1. FUNCTION**

- Jewel 2 jewels
- Accuracy Less than ± 15 seconds / month (Normal temperature range)
- Battery life Approx. 2 years
- Regulation hands unbalance
 - Hour hand : Less than $0.50 \mu\text{N}\cdot\text{m}$ (50 mg·mm)
 - Minute hand : Less than $0.80 \mu\text{N}\cdot\text{m}$ (80 mg·mm)
 - Second hand : Less than $0.30 \mu\text{N}\cdot\text{m}$ (30 mg·mm)
 - Small hand : Less than $0.10 \mu\text{N}\cdot\text{m}$ (10 mg·mm)
 - (Date hand)
- Additional function Date display with quick date correction

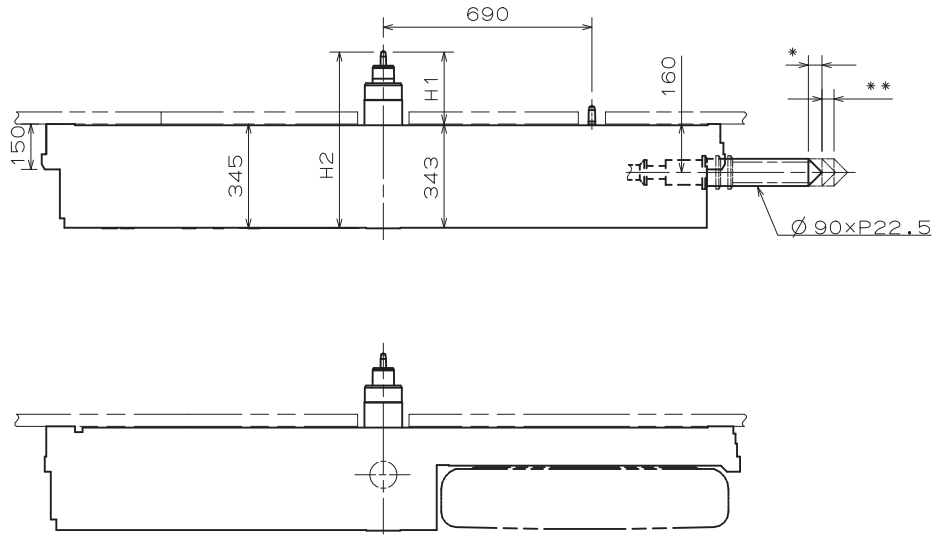
2. USE AND TEST CONDITION

- Battery SR920SW (Recommended battery is SEIZAIKEN)
- Operation temperature range From $- 5 \text{ }^{\circ}\text{C}$ to $+ 50 \text{ }^{\circ}\text{C}$
- Antimagnetic $\geq 1600 \text{ A / m}$ (Direct current magnetic field)
- Test of accuracy 10 seconds (Duration of measurement)

*** All specifications are subject to change without notice.**

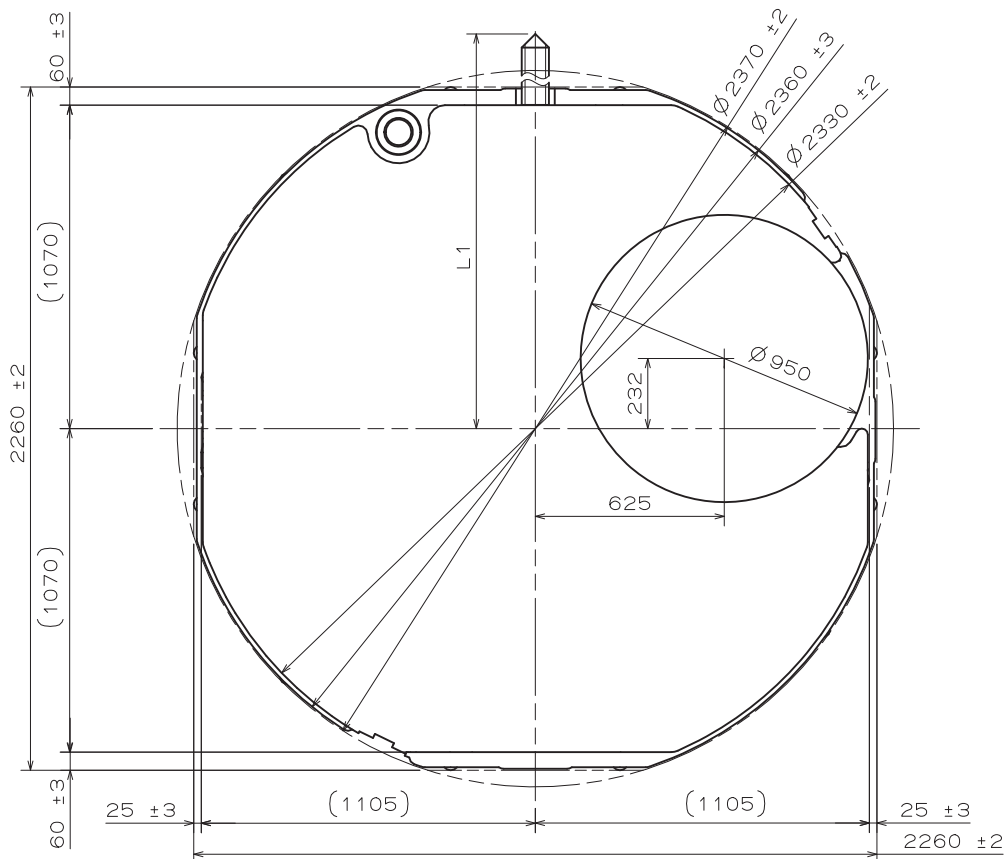


* First pull out stroke 45
 ** Second pull out stroke 39.8

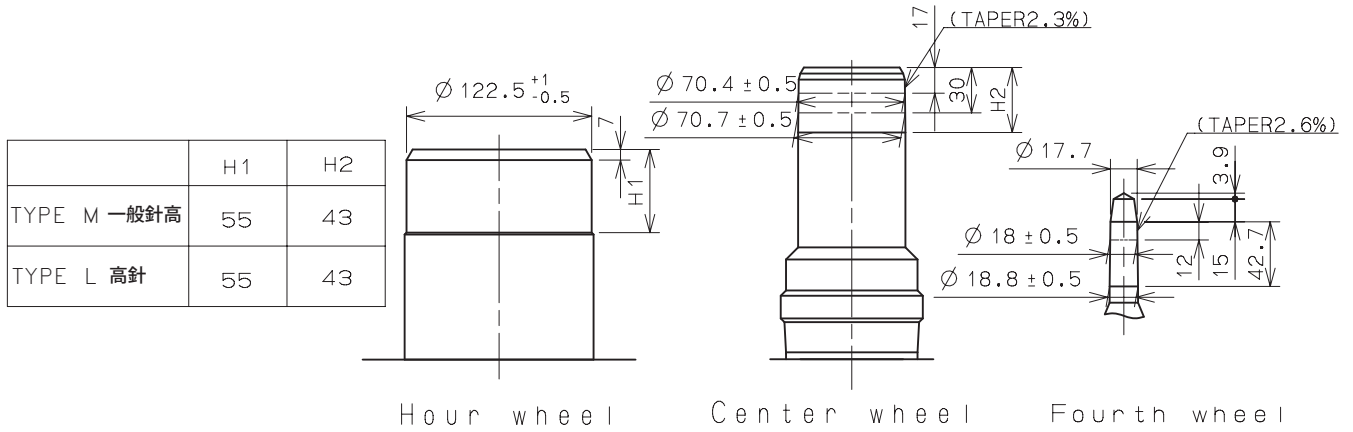


Center post	中心柱位	TYPE M 一般針高	TYPE L 高針
Maximum height from main plate surface 與機芯平面的最大高度	H1	238	293
Total height incl. movement 機芯總高度	H2	583	638

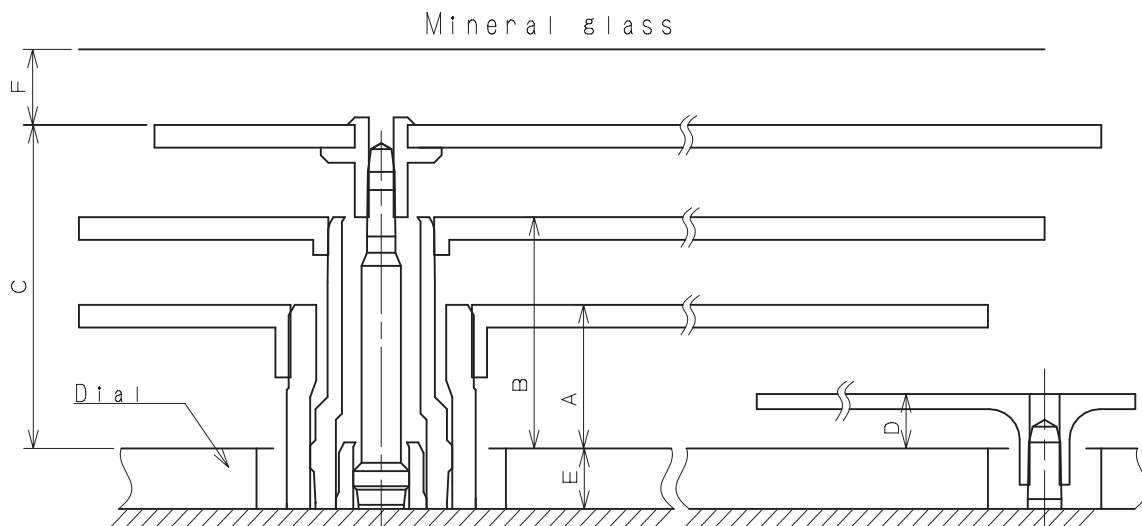
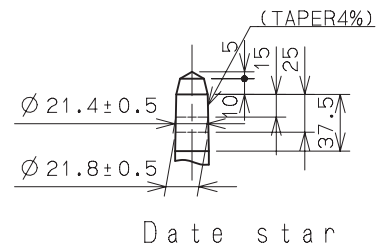
Hand Setting Stem	TYPE A	TYPE B
L1	2436	3012



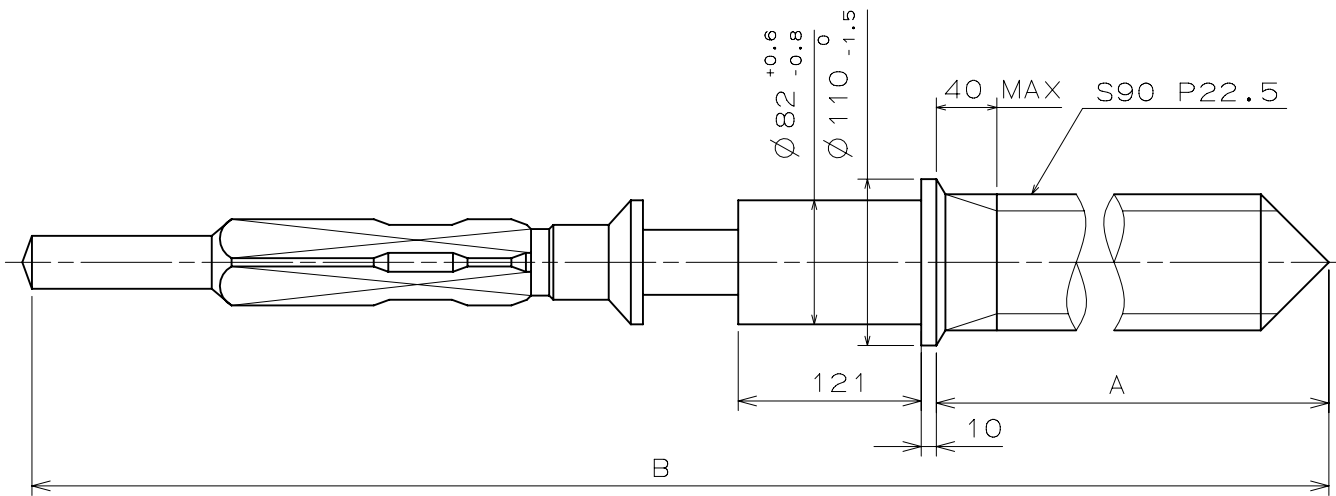
- * Hour hand unbalance $\leq 0.5 \mu\text{N}\cdot\text{m}$ (50mg·mm)
- * Minute hand unbalance $\leq 0.8 \mu\text{N}\cdot\text{m}$ (80mg·mm)
- * Second hand unbalance $\leq 0.3 \mu\text{N}\cdot\text{m}$ (30mg·mm)
- * Date hand unbalance $\leq 0.1 \mu\text{N}\cdot\text{m}$ (10mg·mm)



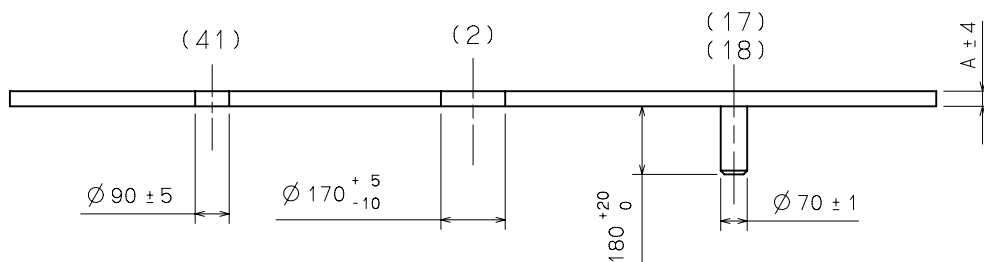
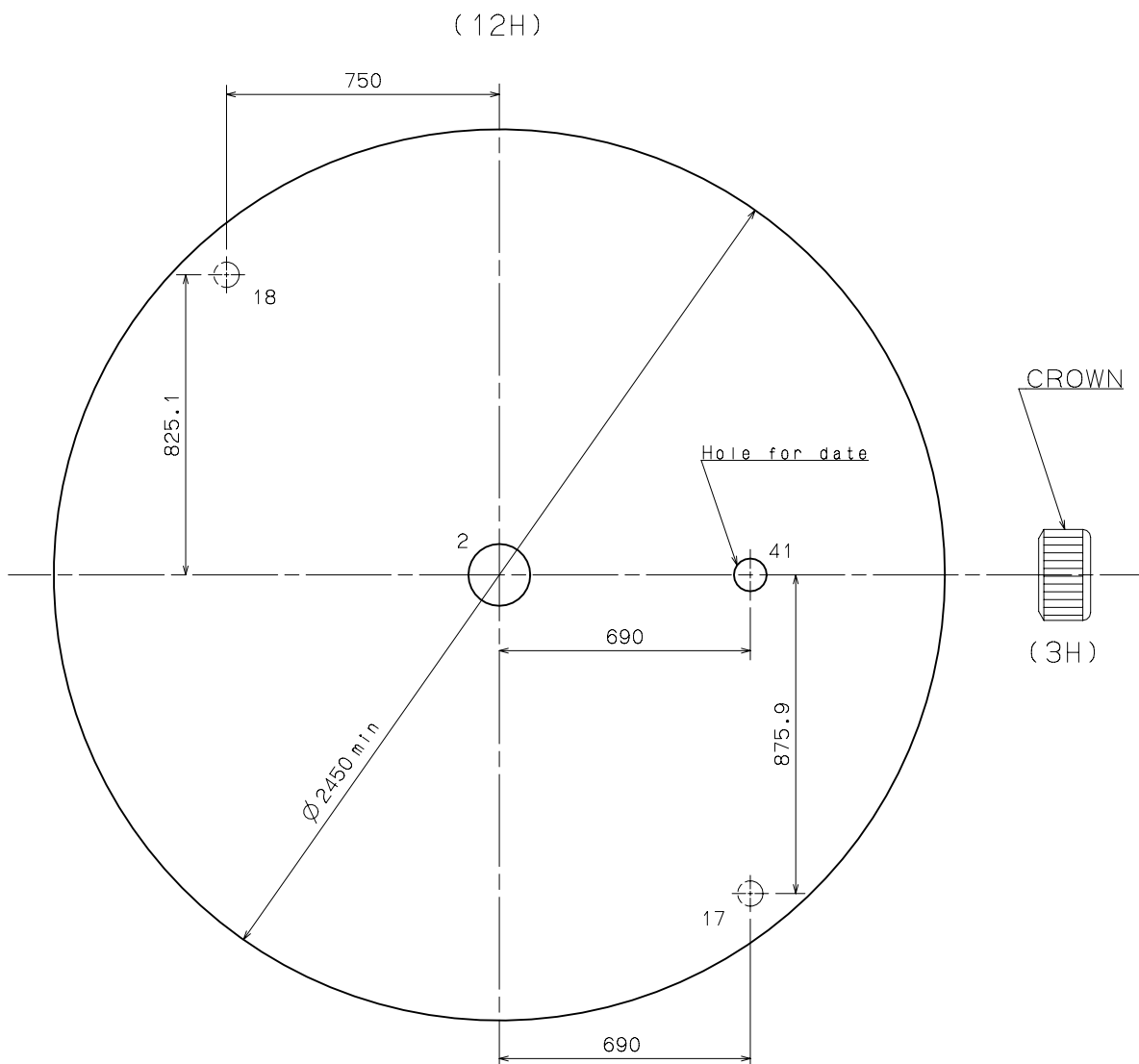
Part name	Part No.	
	TYPE M 一般針高	TYPE L 高針
Hour wheel 時針輪	0273 043	0273 045
Center wheel 分針輪	0221 089	0221 093
Fourth wheel 秒針輪	0144 004	0144 005
Date star 日曆針輪	0970 004	0970 005



	A	B	C	D	E	F
TYPE M 一般針高	95	153	214	36	40	50
TYPE L 高針	105	163	224	46	85	50



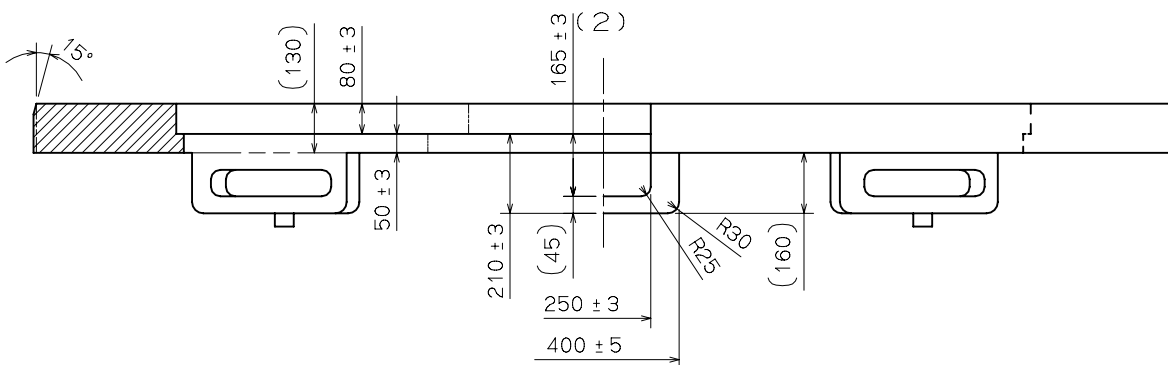
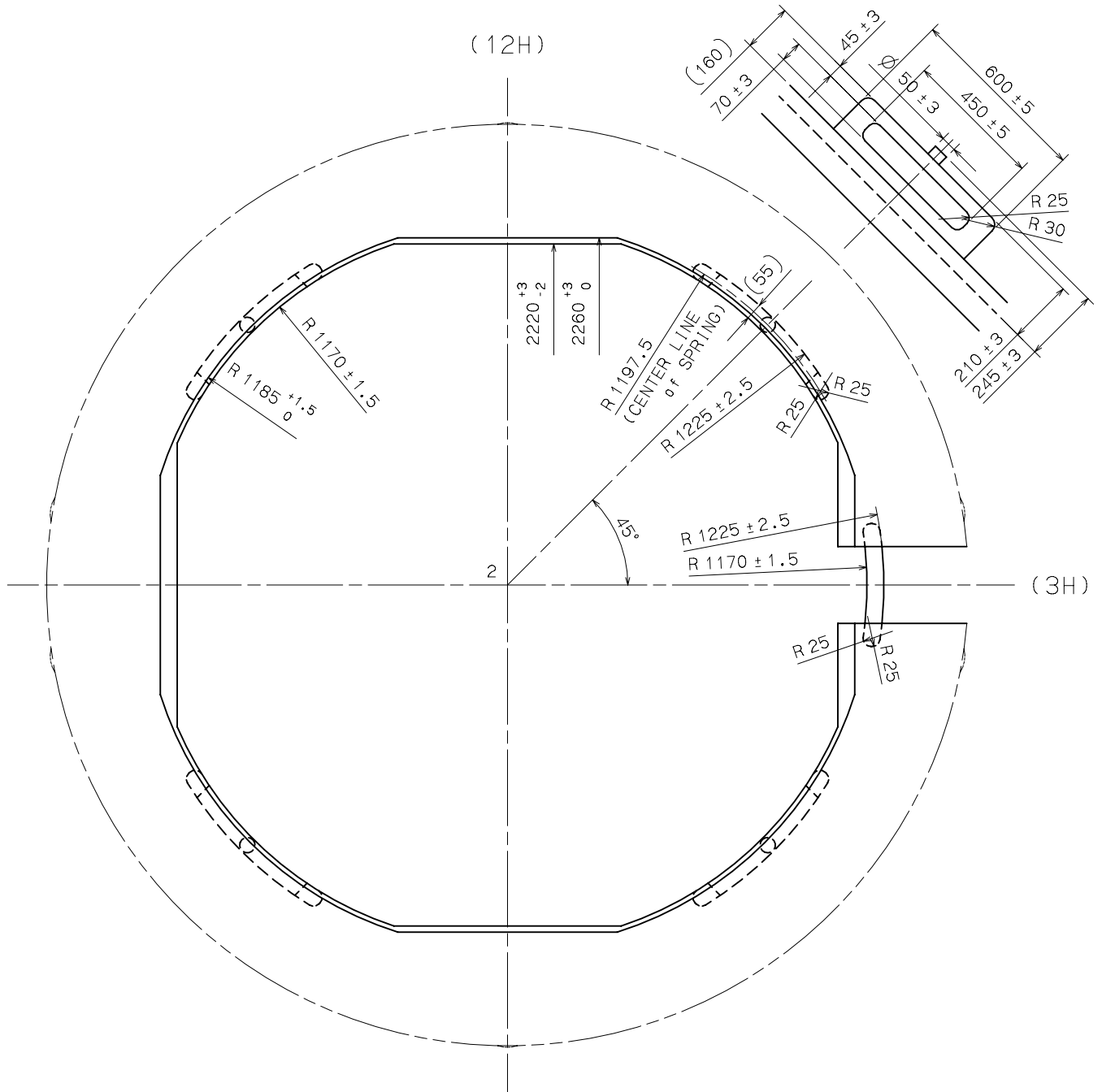
	Part No.	A	B
TYPE A	0351 177	1371	1969
TYPE B	0351 122	1947	2545



	TYPE M	TYPE L
A	40	85

Casing Ring

VH65A

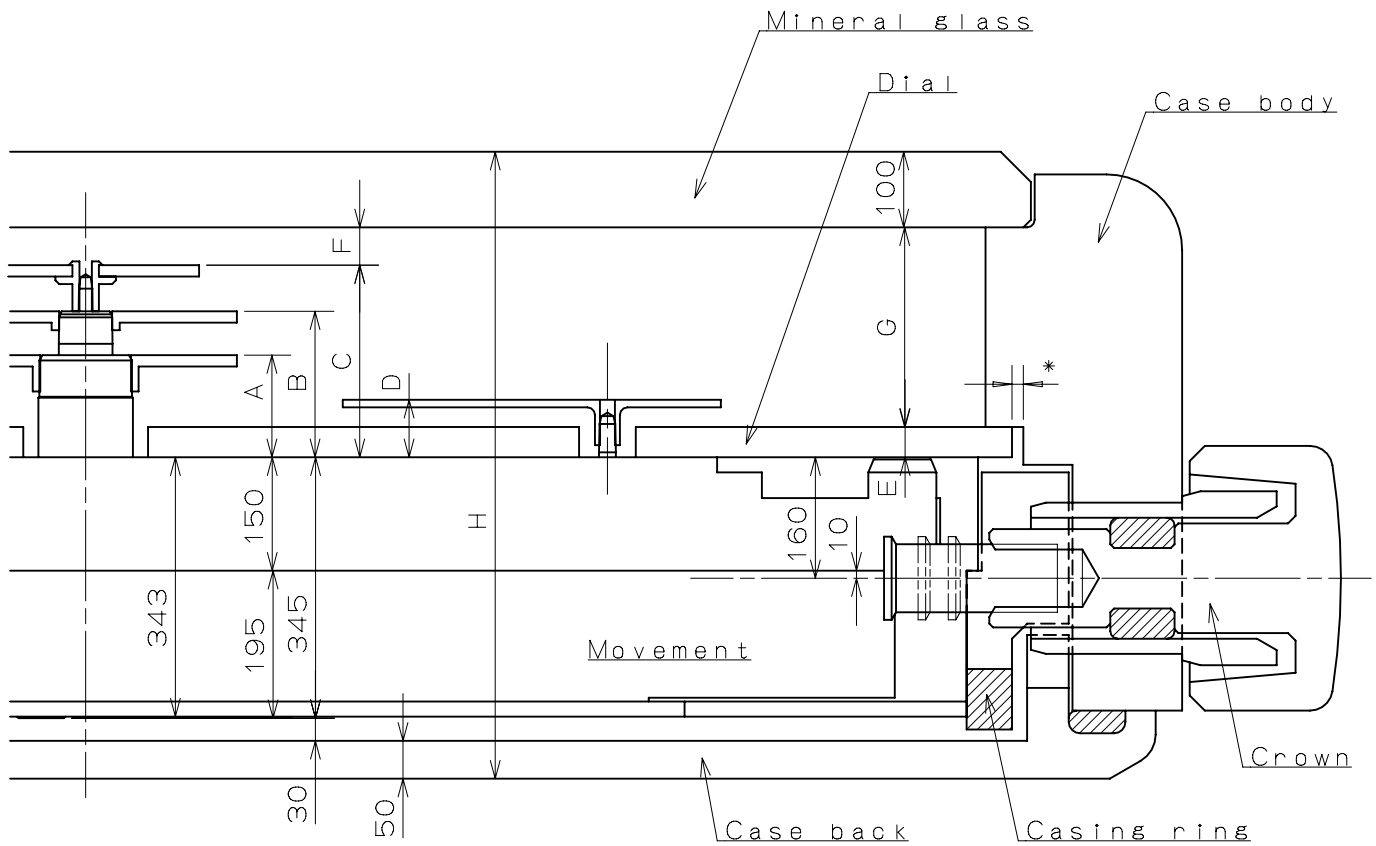


SECTIONAL VIEW of 12H DIRECTION

SIDE VIEW from 3H DIRECTION

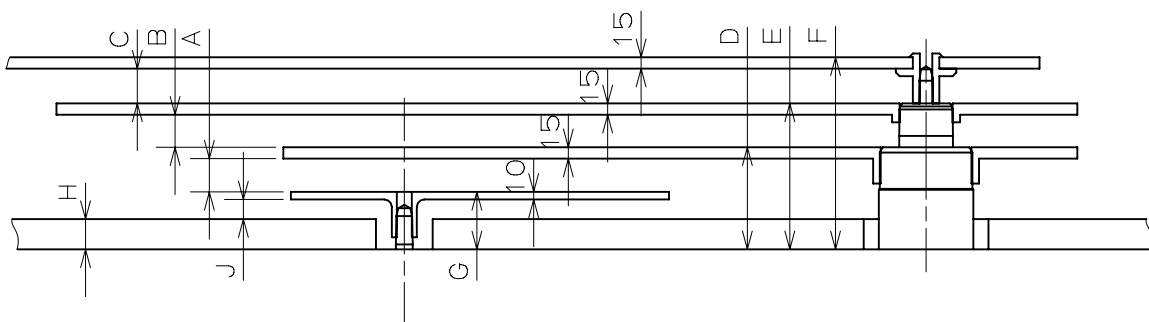
Unit : 1=1/100mm

Version : 1



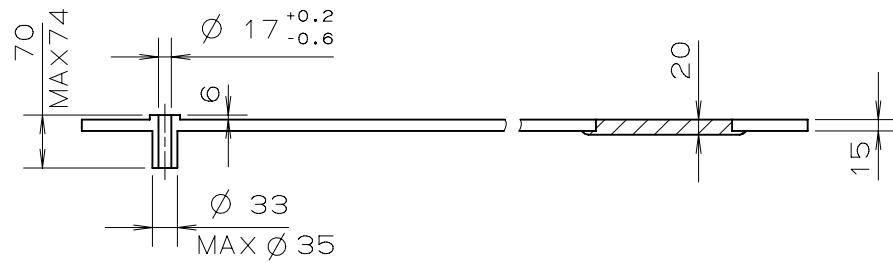
	A	B	C	D	E	F	G	H
TYPE M	135	193	254	76	40	50	264	829
TYPE L	190	248	309	131	85	50	274	884

*Recommended dimension (Clearance of dial and case body): 15

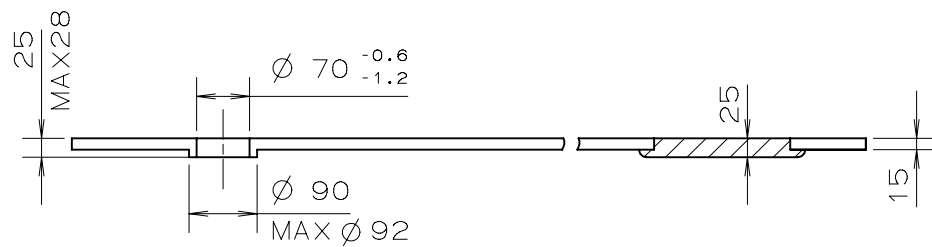


	A	B	C	D	E	F	G	H	J
TYPE M	44	43	46	135	193	254	76	40	26
TYPE L	44	43	46	190	248	309	131	85	36

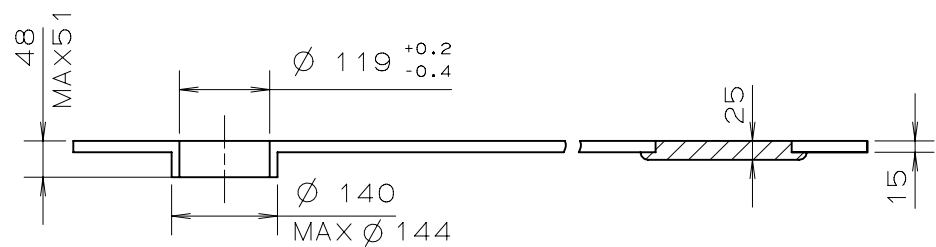
SECOND



MINUTE



HOUR



DATE

