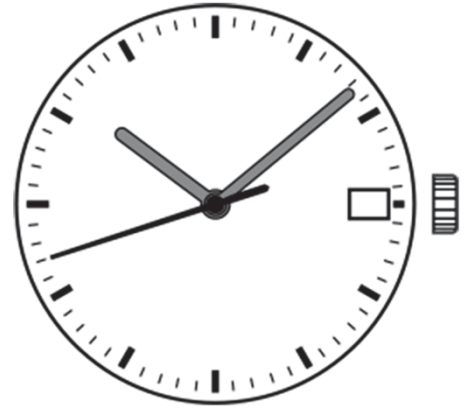


Watch Movement Specification and Drawing

Slim / Small Movement

VJ42B



Movement Size: **11½"**
 Diameter: **Φ26.40mm**
 Height: **2.71mm**

Items	Ver.	Items	Ver.
Specification	1		
Appearance - 1	1		
Appearance - 2	1		
Casing	1		
Hand Fitting	1		
Hand Setting Stem	1		
Dial - 1	1		
Dial - 2	1		
Dial - 3	1		
Dial - 4	1		
Casing Ring	1		
Assembly Plan	1		
Hands	1		

CAL.VJ42B 11½ Ligne Quartz Movement

Three Hands with Date

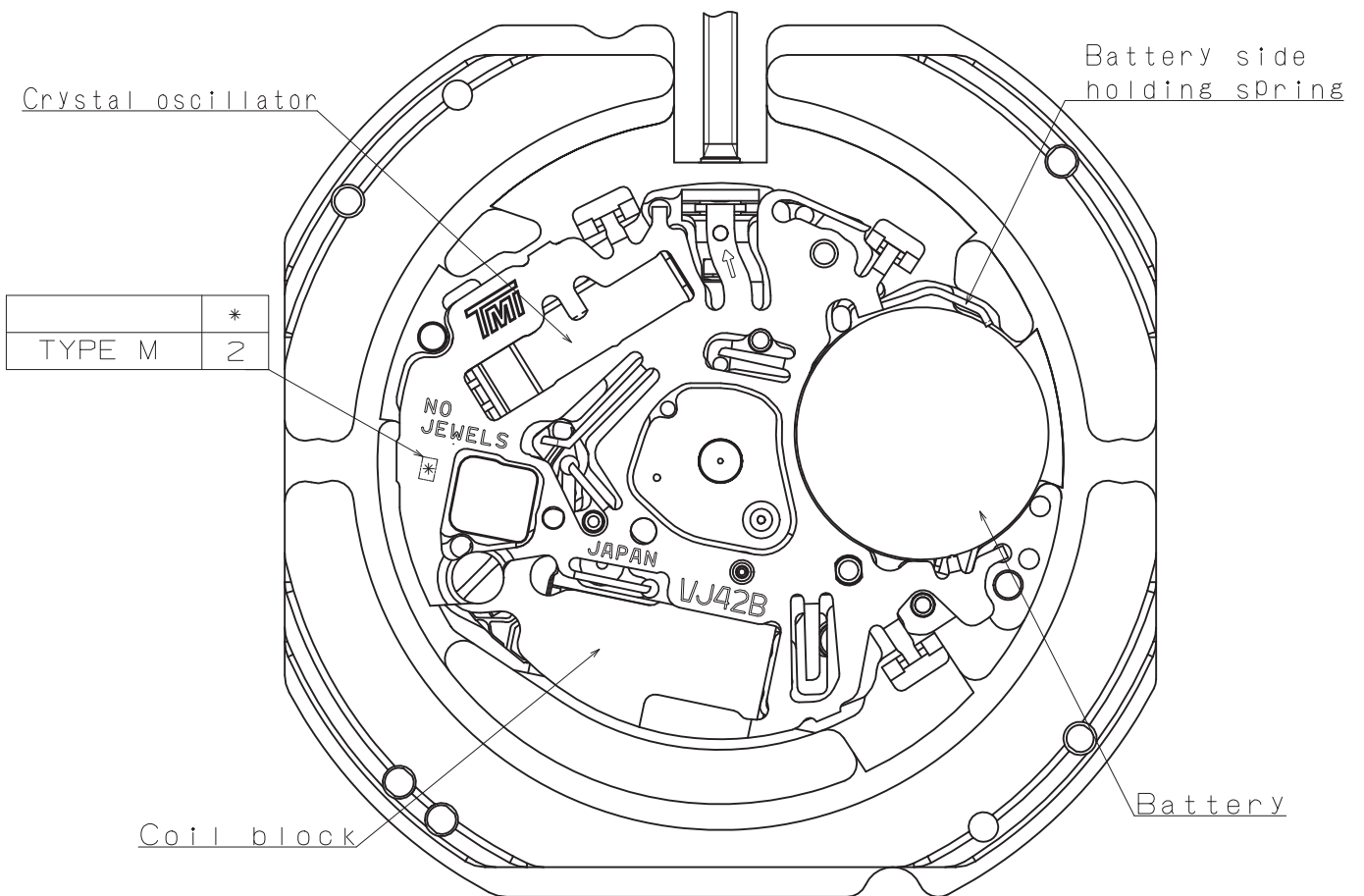
1. FUNCTION

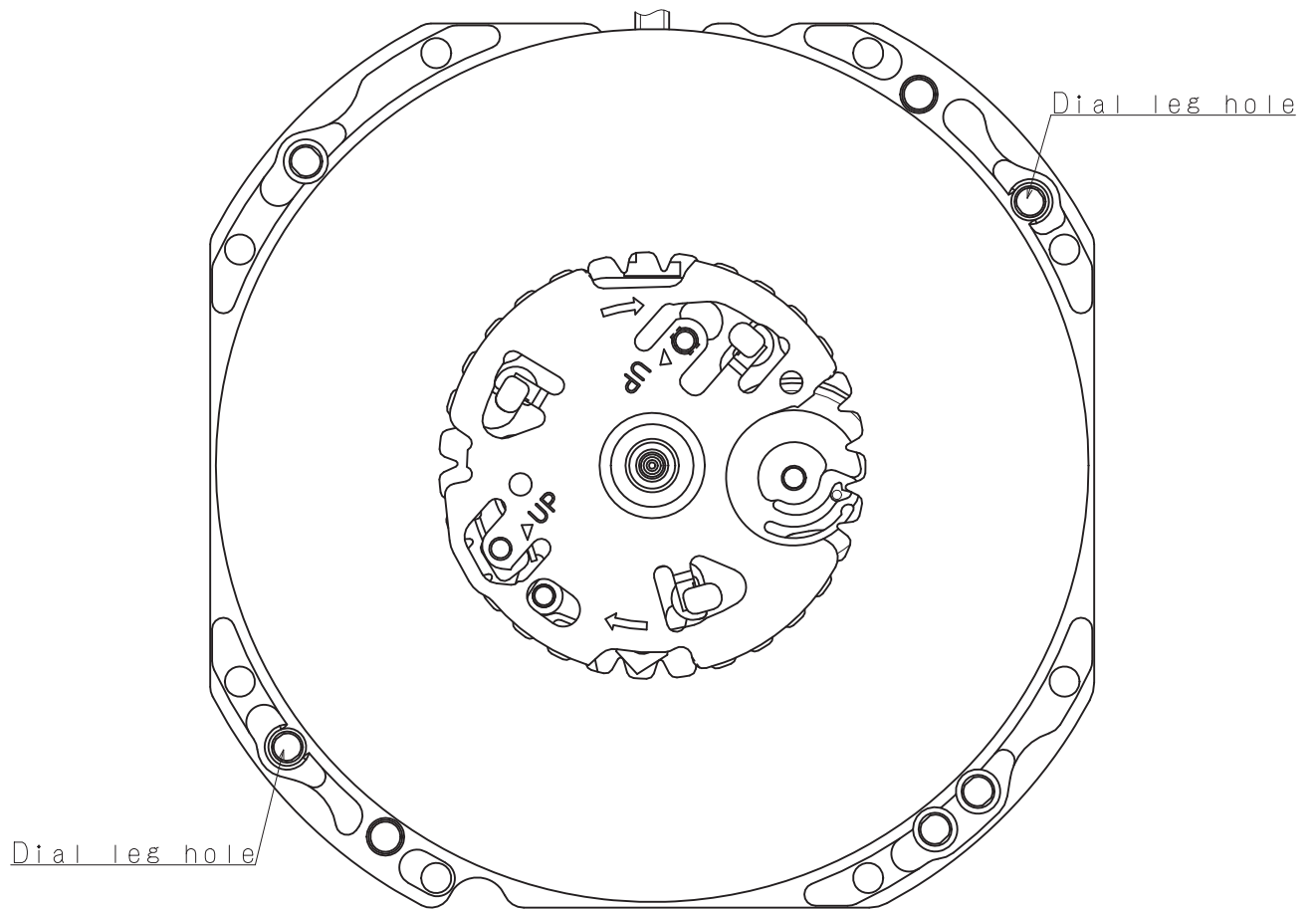
· Jewel	0 jewel
· Accuracy	Less than ± 20 seconds / month (Normal temperature range)
· Battery life	Approx. 3 years
· Regulation hands unbalance	Hour hand : Less than $0.30 \mu\text{N}\cdot\text{m}$ (30 mg·mm) Minute hand : Less than $0.30 \mu\text{N}\cdot\text{m}$ (30 mg·mm) Second hand : Less than $0.07 \mu\text{N}\cdot\text{m}$ (7 mg·mm)
· Additional function	Date display with quick date correction

2. USE AND TEST CONDITION

· Battery	SR621SW	(Recommended battery is SEIZAIKEN)
· Operation temperature range	From $-5\text{ }^{\circ}\text{C}$ to $+50\text{ }^{\circ}\text{C}$	
· Antimagnetic	$\geq 1600\text{ A / m}$	(Direct current magnetic field)
· Test of accuracy	10 seconds	(Duration of measurement)

*** All specifications are subject to change without notice.**

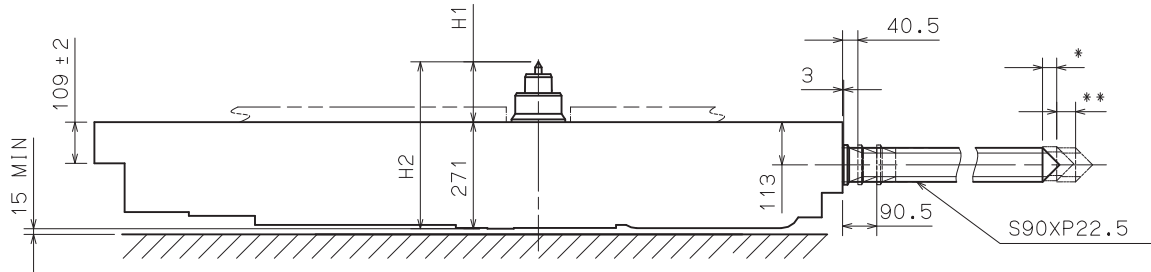




Battery Side holding Spring Type.

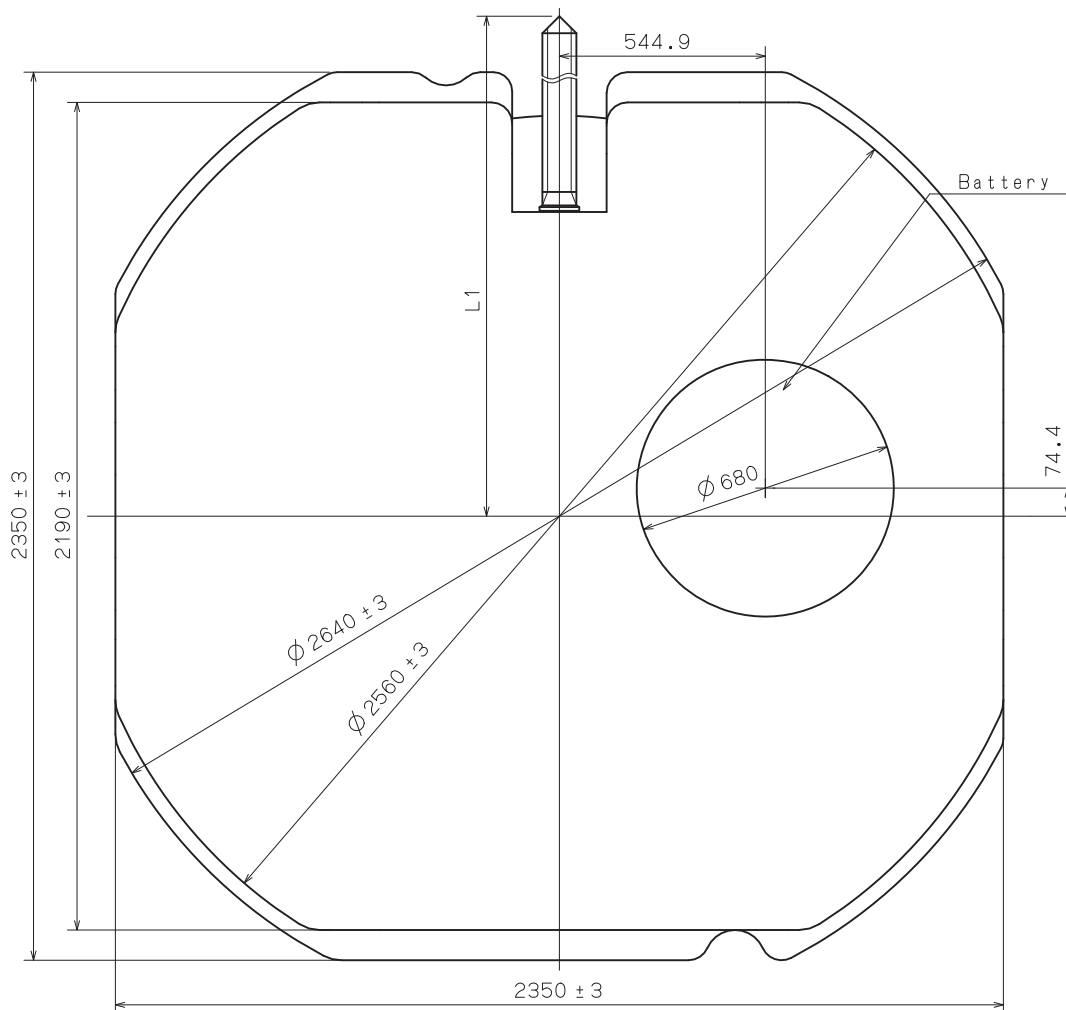
* First Pull out Stroke 37.5

** Second Pull out Stroke 50



Center post	中心柱位	TYPE M
		一般針高
Maximum height from main plate surface	H1	159.7
與機芯平面的最大高度		
Total height incl. movement	H2	430.7
機芯總高度		

Hand Setting Stem	TYPE A
L1	2413



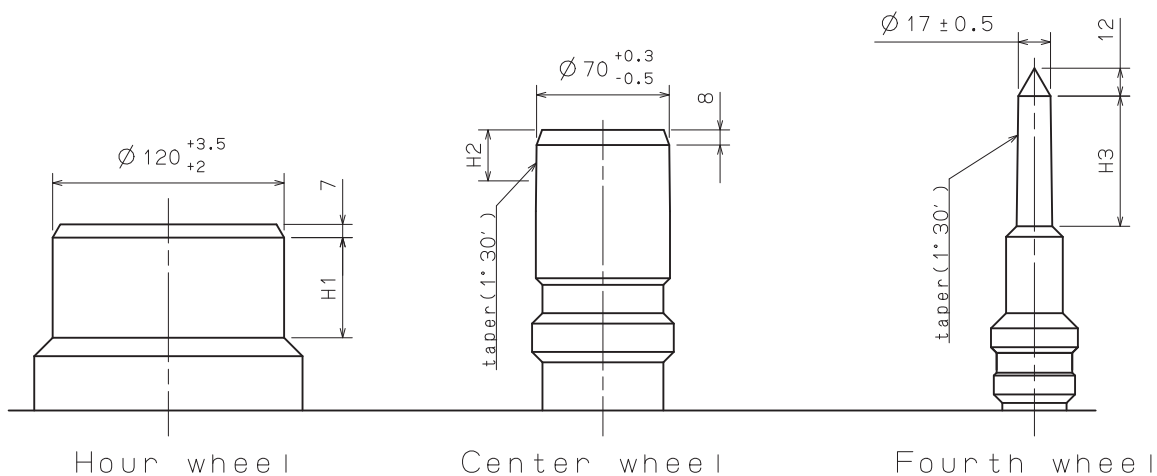
Unit : 1=1/100mm

Version : 1

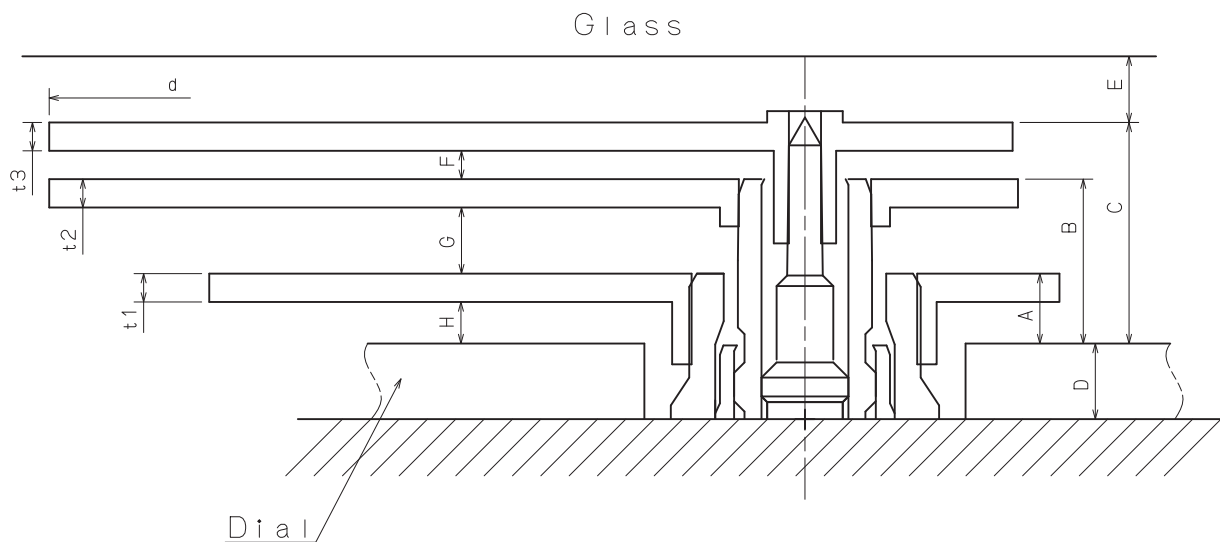
Hour hand unbalance $\leq 0.3\mu\text{N}\cdot\text{m}$ (30mg·mm)

Minute hand unbalance $\leq 0.3\mu\text{N}\cdot\text{m}$ (30mg·mm)

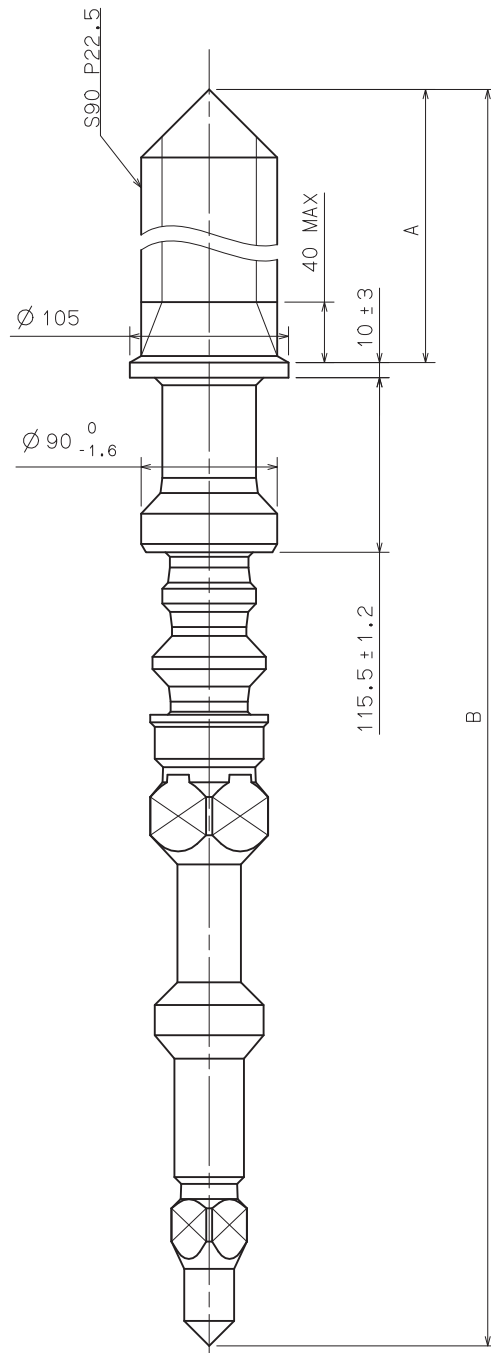
Second hand unbalance $\leq 0.07\mu\text{N}\cdot\text{m}$ (7mg·mm)



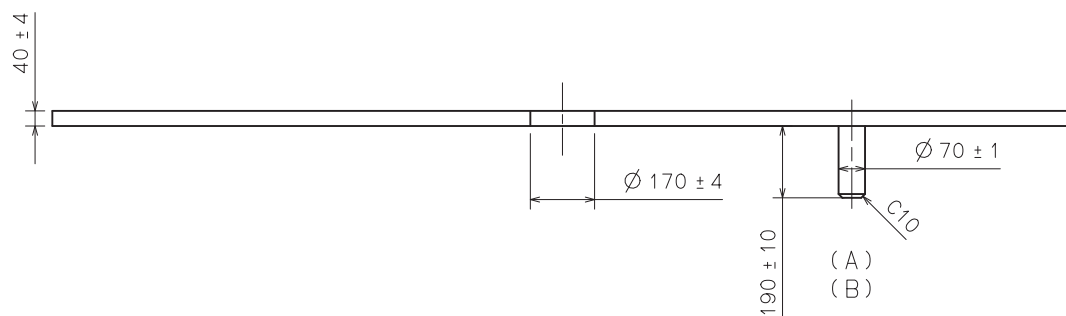
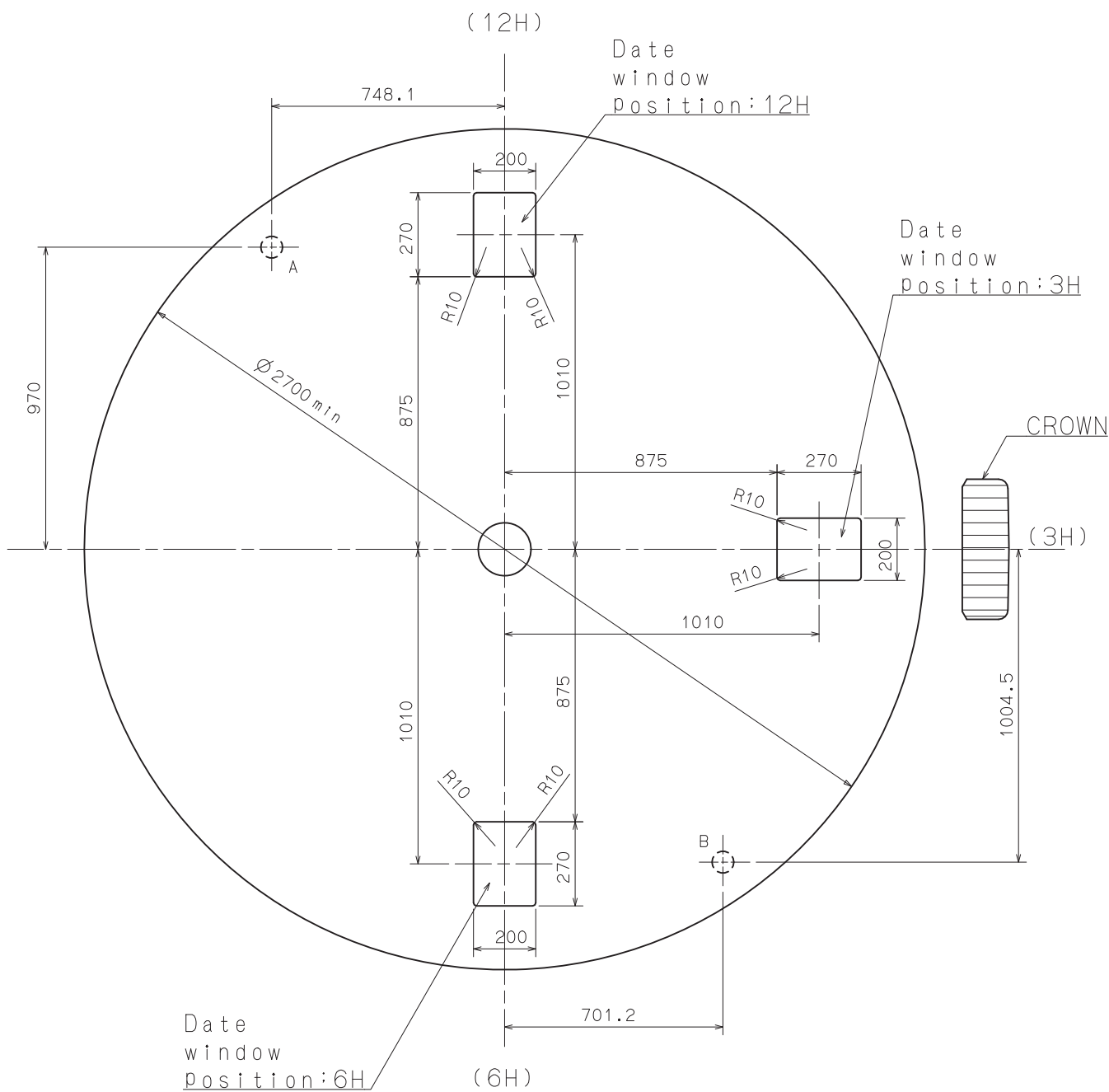
	Part No.			Dimension		
	Hour wheel 時針輪	Center wheel 分針輪	Fourth wheel 秒針輪	H1	H2	H3
TYPE M 一般針高	0273 021	0221 065	0144 105	48	27	69

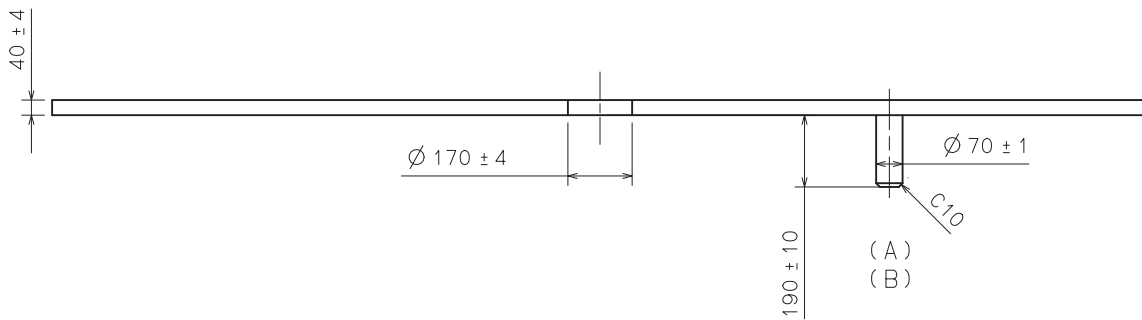
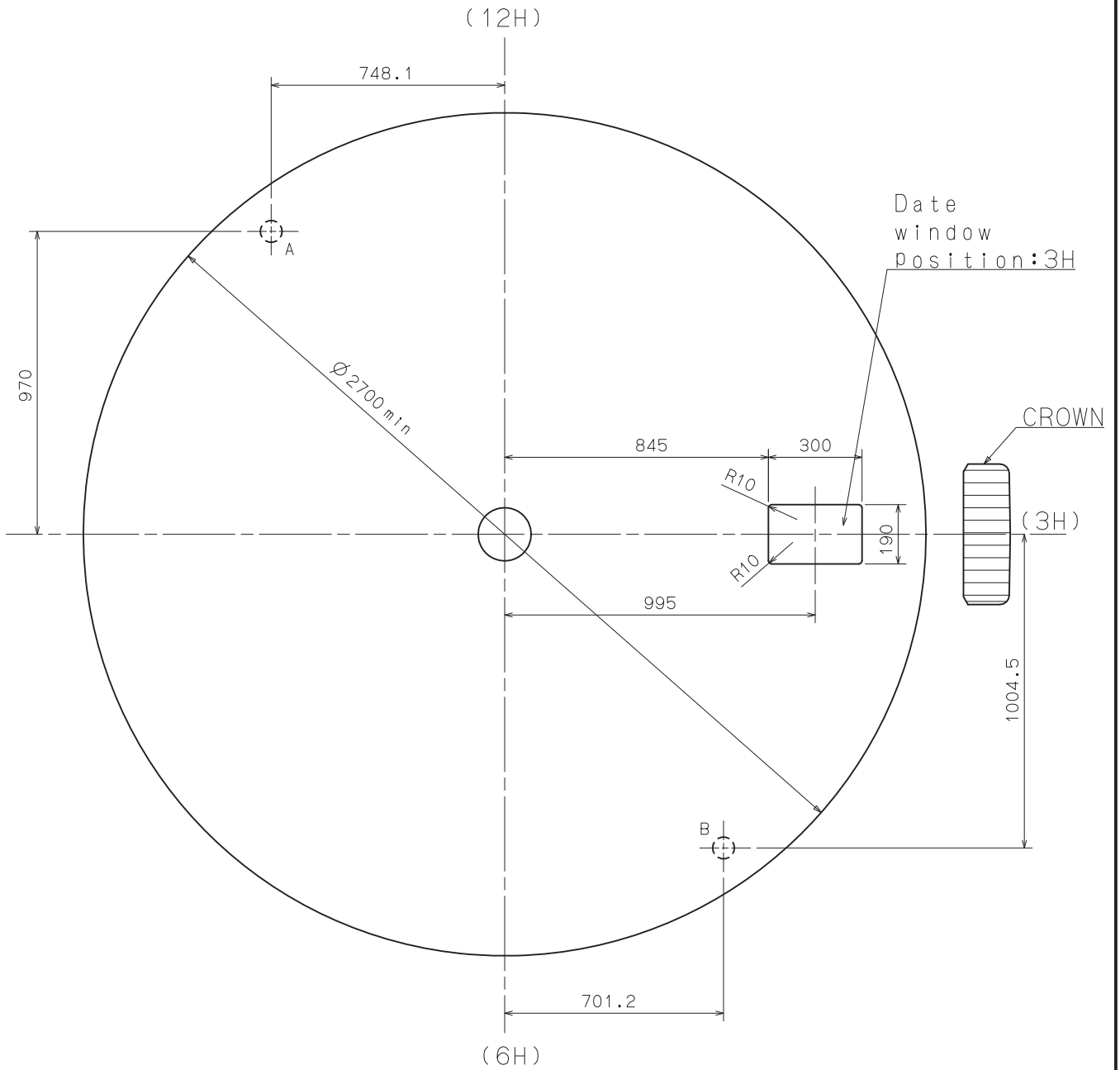


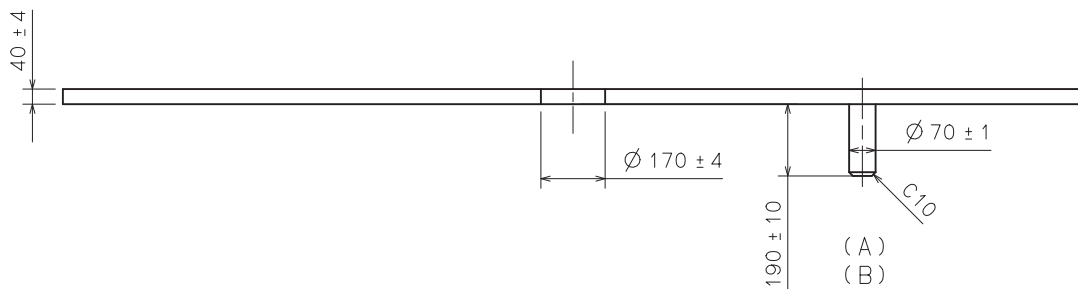
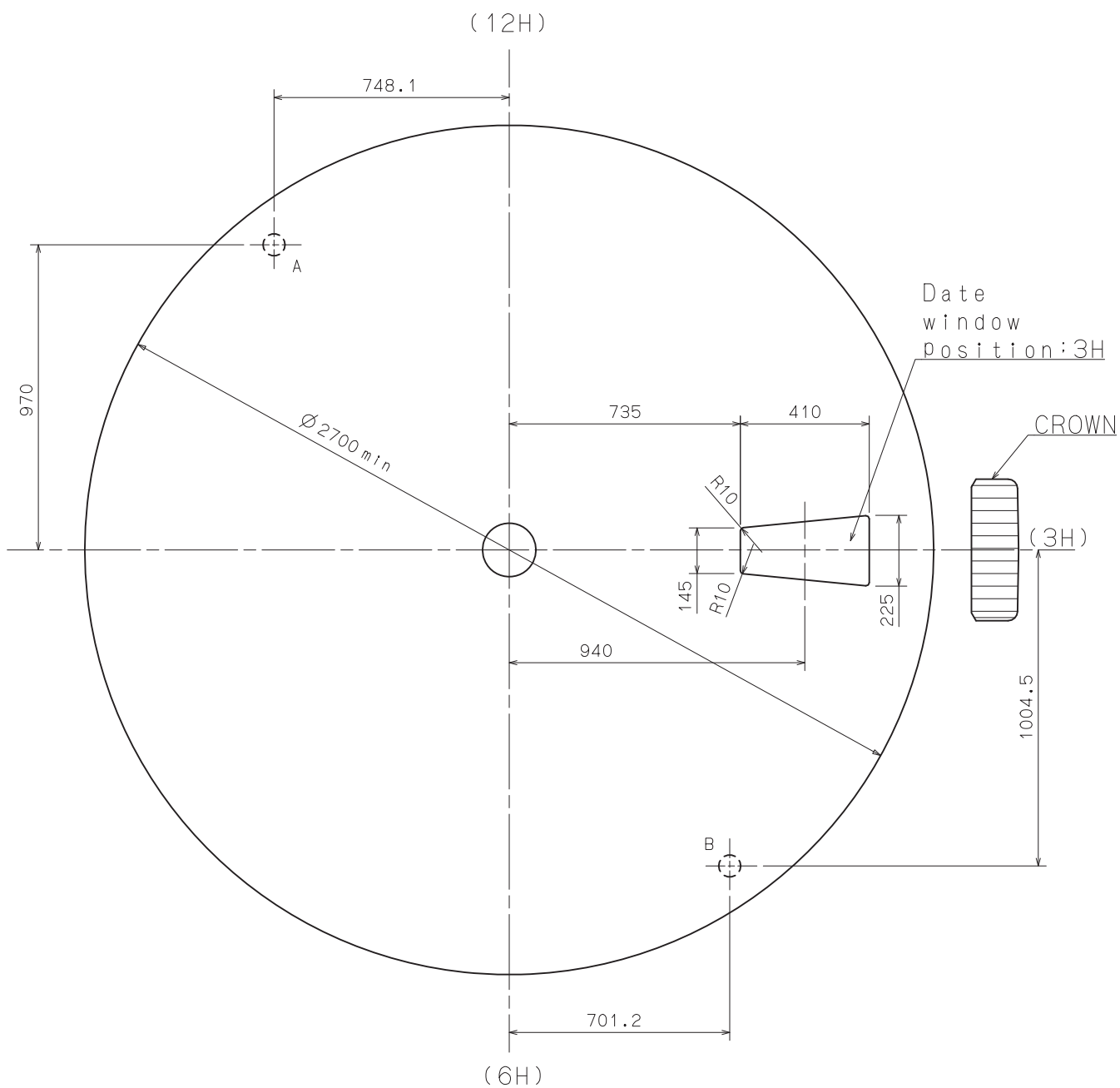
	A	B	C	D	E	F	G	H	t1	t2	t3	d
TYPE M 一般針高	37	87	117	40	35	15	35	22	15	15	15	∅ 2500



	Part No.	A	B
TYPE A	0351 001	1595	2245.5



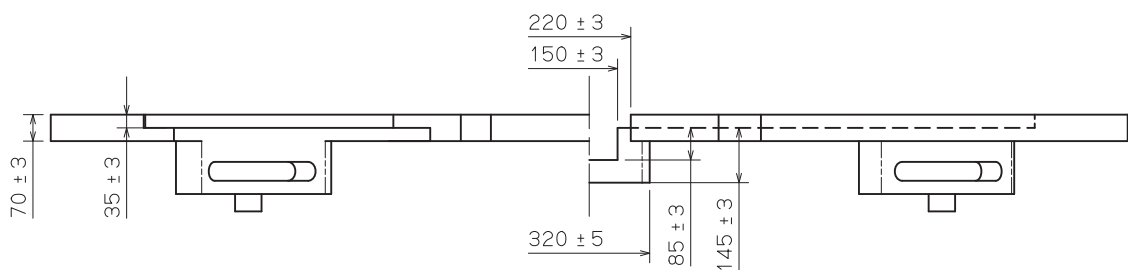
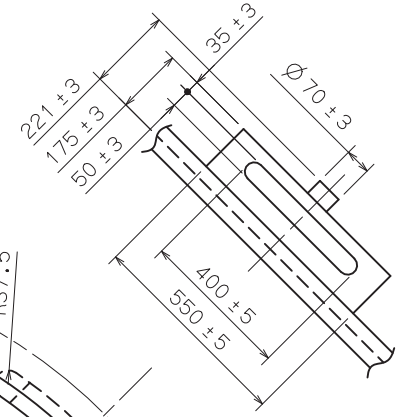
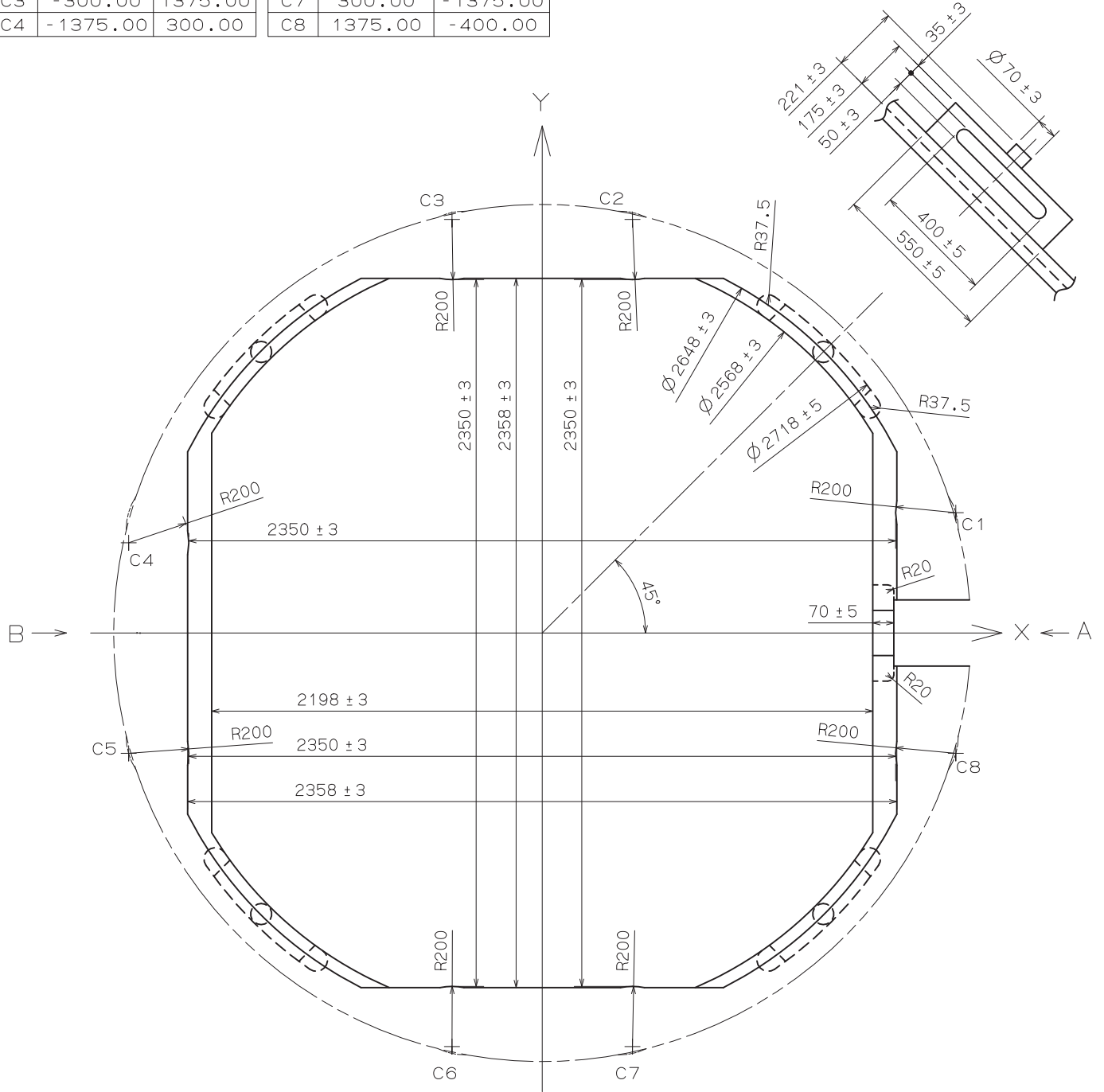




Casing Ring

VJ42B

No.	X	Y	No.	X	Y
C1	1375.00	400.00	C5	-1375.00	-400.00
C2	300.00	1375.00	C6	-300.00	-1375.00
C3	-300.00	1375.00	C7	300.00	-1375.00
C4	-1375.00	300.00	C8	1375.00	-400.00



SIDE VIEW from B DIRECTION

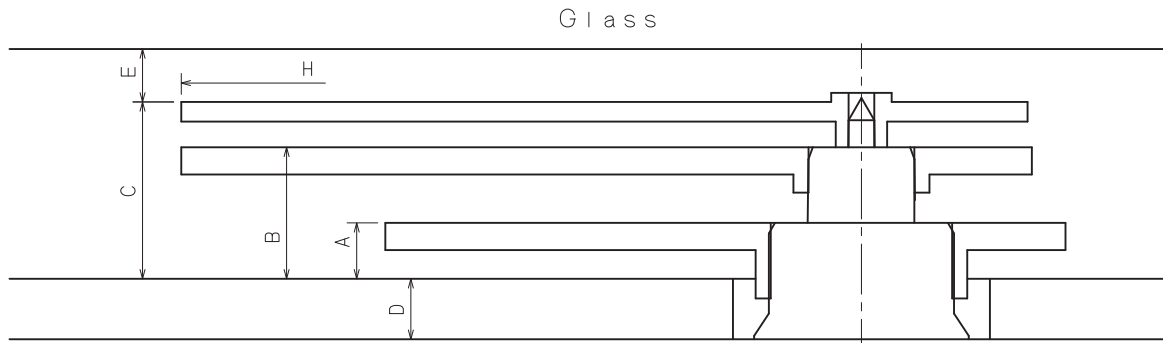
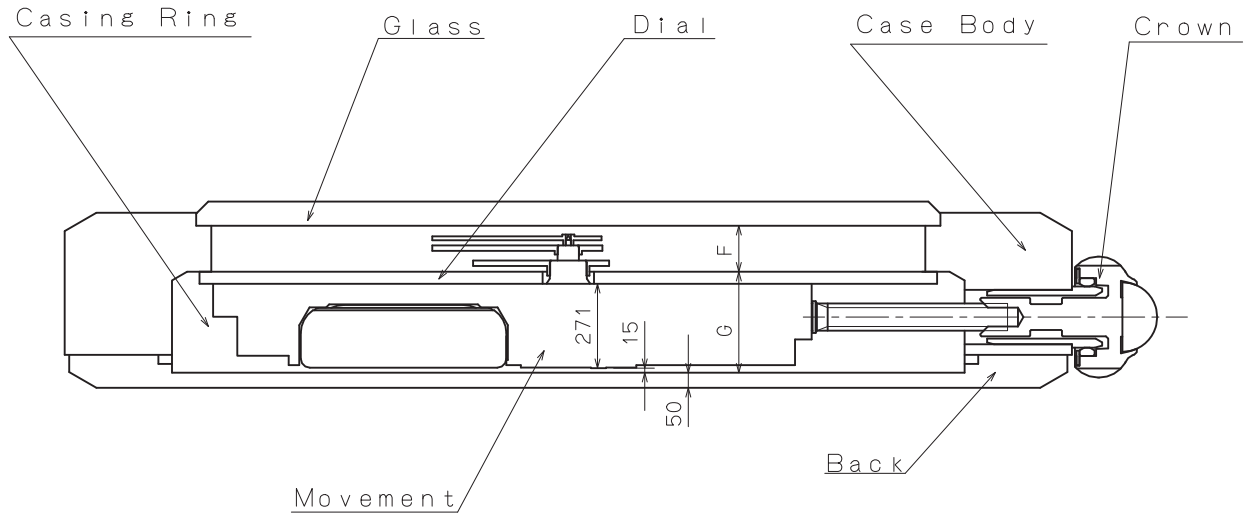
SIDE VIEW from A DIRECTION

Unit : 1=1/100mm

Version : 1

Assembly Plan

VJ42B

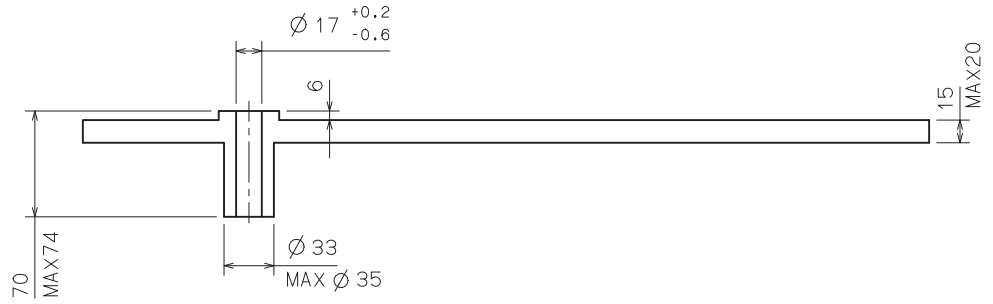


	A	B	C	D	E	F	G	H
TYPE M	37	87	117	40	35	152	326	∅ 2500

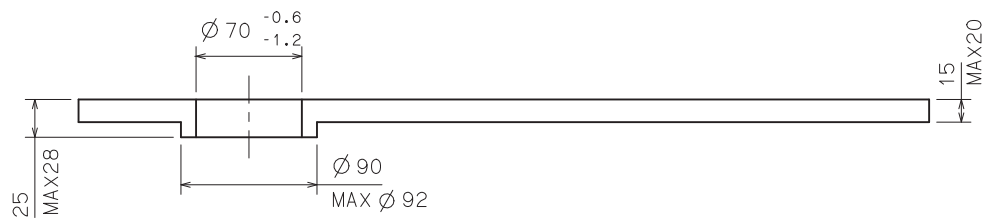
Unit : 1=1/100mm

Version : 1

SECOND



MINUTE



HOUR

