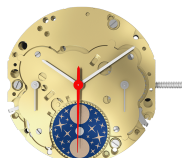
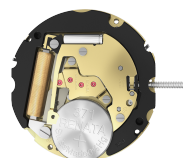


RONDA normtech 700 & 6000

Lange Batterielaufzeit und spezielle Funktionen

Caliber 706.1 – 10½'''



Product Specifications

Analog quartz movement

Line normtech

Caliber 706.1

Size 10½'''

Version Swiss Made 5 Jewels / gold plated
Swiss Parts 1 Jewels / gold plated

Standard battery life 60 months

Hand fitting height 1

Features

- Very long battery life
- Repairable metal watch movement
- Power saving mechanism with pulled out stem: Reduction of consumption approximately 70%

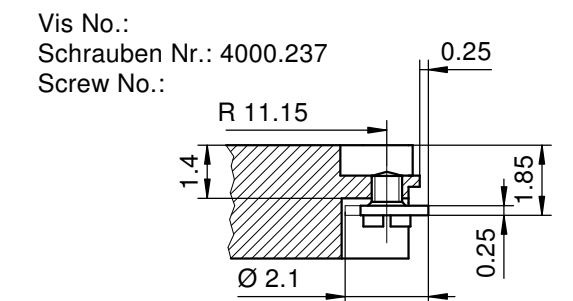
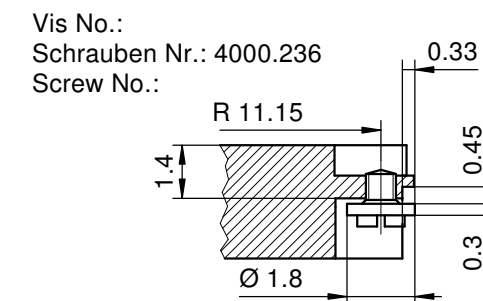
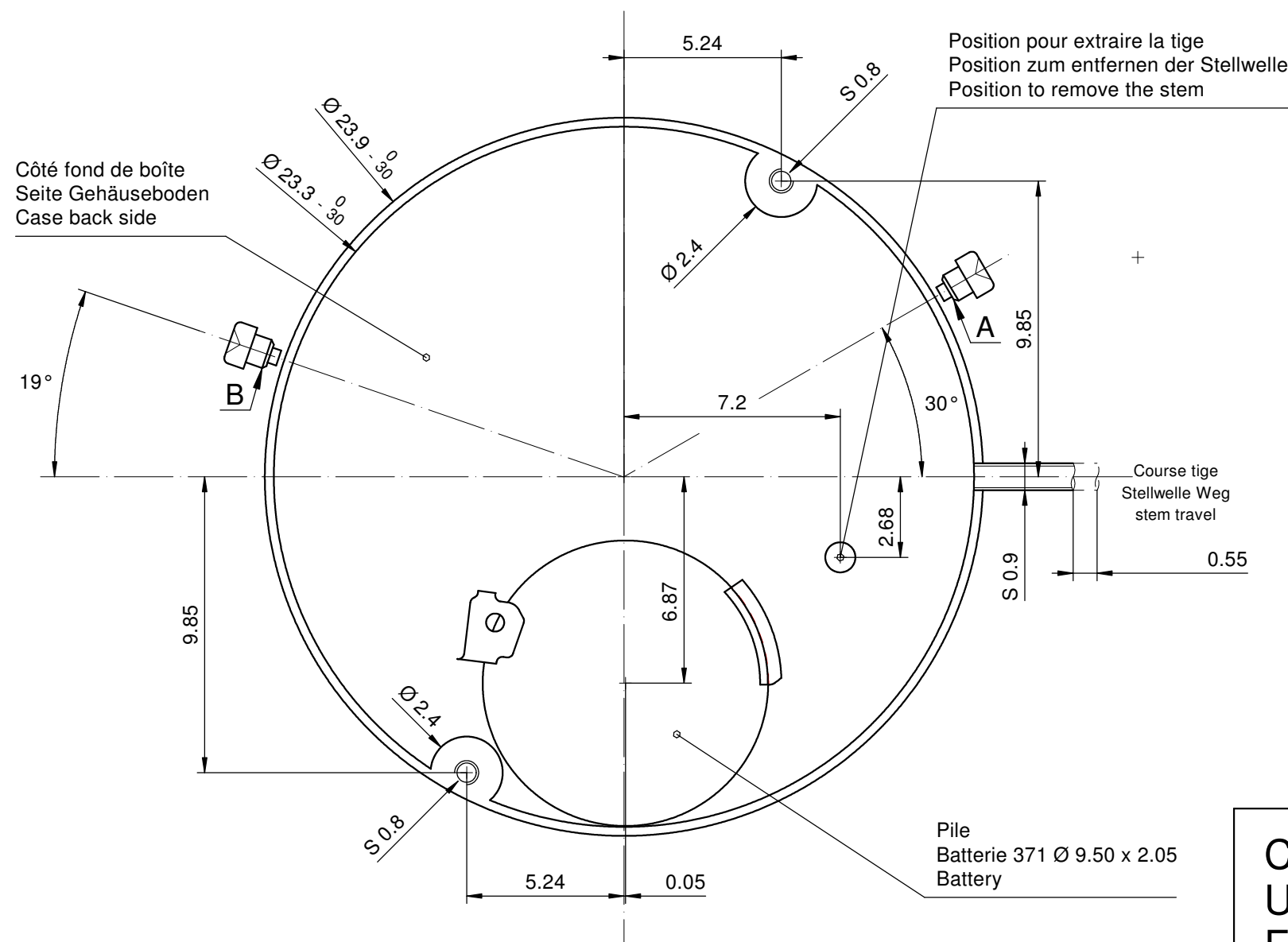
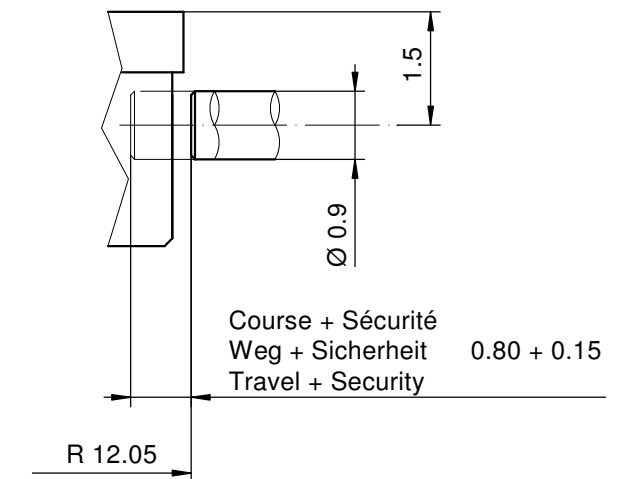
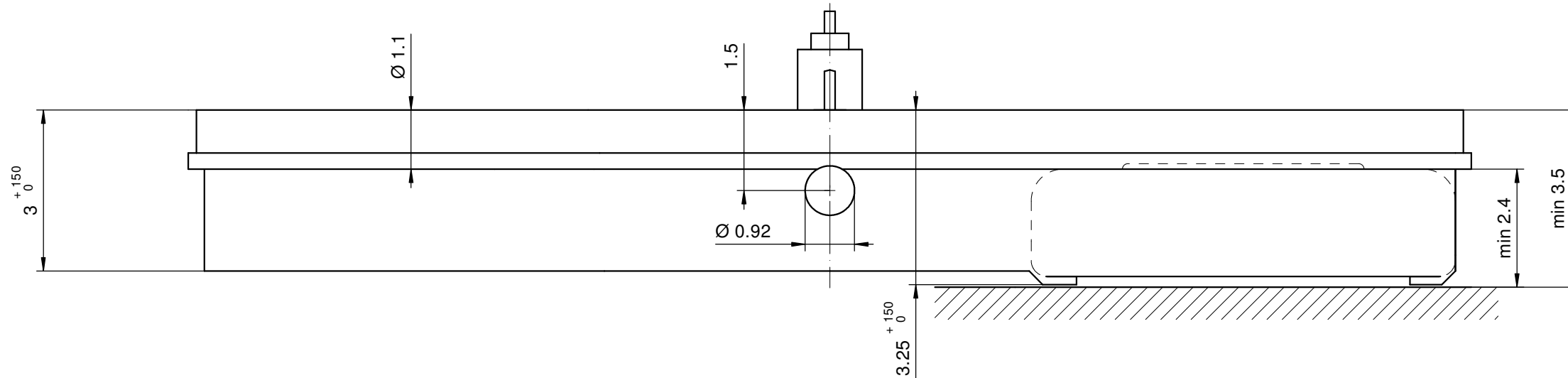
Functions

- Multifunction
- Moon phase
- 2 eyes
- Day indicator
- Day by hand
- Date
- Date by hand
- 3 hands

Technical Specifications

Diameter Total	23.90 mm
Case fitting	23.30 mm
Movement height	3.00 mm
Height over standard battery	3.25 mm
Movement rest	0.30 mm
Height over stem	1.50 mm
Length of stem travel	0.55 mm
Stem thread	0.90 mm
Standard battery	371
Standard battery life	60 months
Battery voltage	1.5 V
Current consumption – typical	0.96 µA
Current consumption – maximum	1.35 µA
Useful torque second – typical	8 µNm
Useful torque minute – typical	400 µNm
Operating temperature	0 - 50 °C
Instantaneous rate	-10/ +20 sec/month
Resistance to magnetic fields	18.8 Oe
Resistance against shock	NIHS 91-10



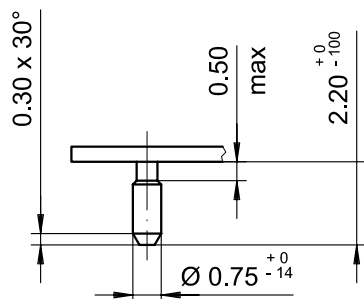
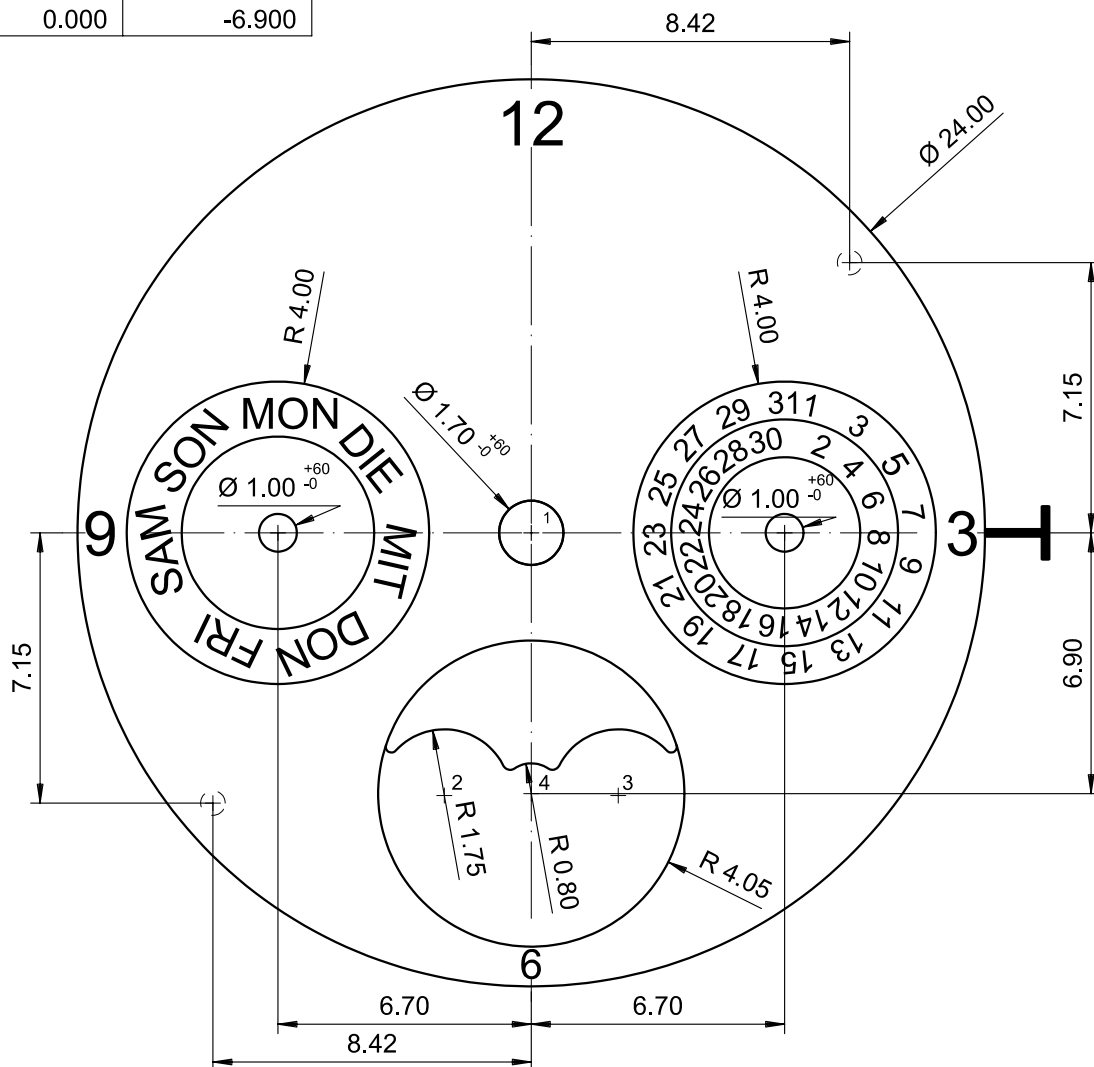


Sécurité entre l'aiguille des seconde et le verre : min 0.30 mm
 Sicherheit zwischen Sekundenzeiger und Glas : min 0.30 mm
 Security between second hand and glass : min 0.30 mm

Le cadran doit être tenu par la boîte.
 Das Zifferblatt muss durch die Schale gehalten werden.
 The dial must be hold by the case.

Cage Uhrwerkgestell 10½" Frame		Issued	27.02.1987	rh
		Modified	24.05.2017	mg5224
RONDA 706.1		Released	YES	
		Mod. No.	34583	
		Tolerance	±20 µm	
		Scale	10 : 1	Page 1/1 A3
		Sous réserve de modifications Aenderungen vorbehalten Modifications reserved		
		No.	5000.243	19

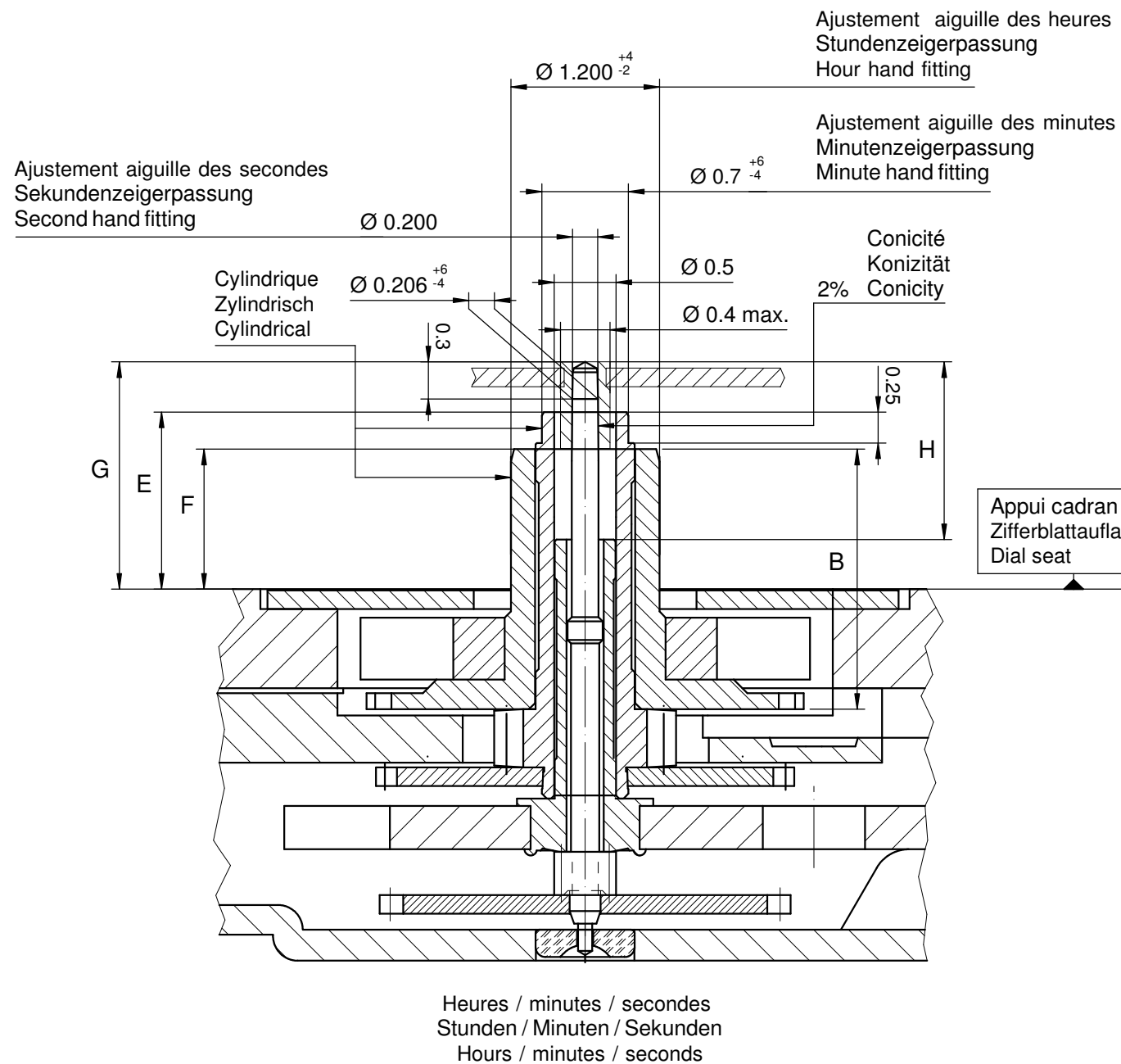
Pos	X	Y
1	0.000	0.000
2	-2.300	-6.950
3	2.300	-6.950
4	0.000	-6.900



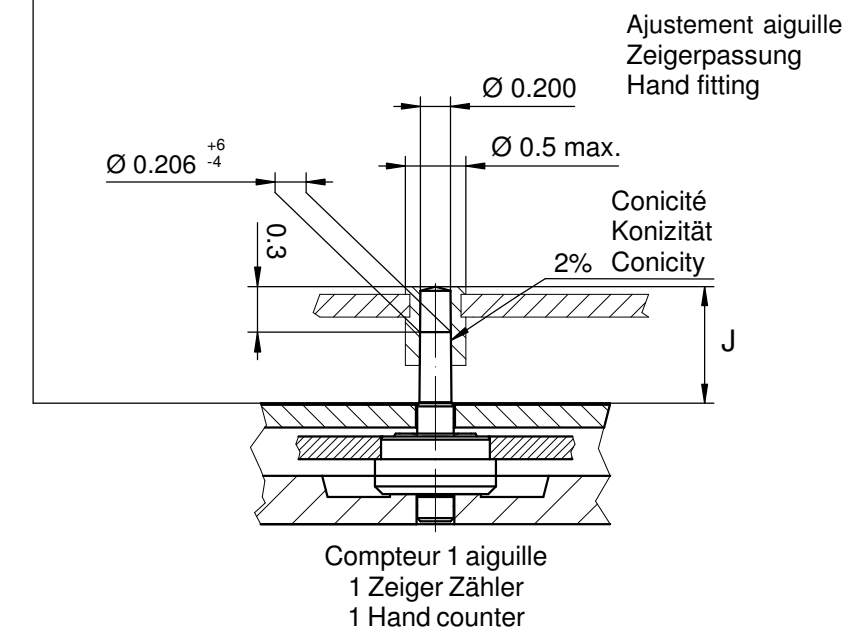
Tige	Lune
Stellw.	Mond
Stem	Moon
3H	6H

Epaisseur du cadran selon hauteur de l'aiguillage
Zifferblattdicke gemäss Zeigerwerkhöhen
Dial thickness according to hand fitting heights

Cadran Zifferblatt Dial	10½"	Issued	27 Feb 1987	rh
		Modified	20.Mai,2006 ÄÄ ----	cw
		Released	YES	
		Tolerance	+/- 20 µm	
		Scale	5 : 1 (A4V)	
RONDA	706.1	Sous réserve de modifications Änderungen vorbehalten Modifications reserved		
		No.	5010.390	05



Aiguillage no Zeigerwerkhöhe Nr. Hand fitting height No	Dépassement Höhe über Zifferblattaufgabe Height over dial seat				Longueur Länge Length		Epaisseur max. (peinture comprise) Max. Dicke (inkl. Farbe) Max. thickness (paint included)				
	Pignon des secondes Sekundentrieb Second pinion	Chaussée Minutenrohr Cannon-pinion	Roue des heures Stundenrad Hour wheel	1 aig. 1 Zeiger 1 Hand			Cadran Zifferblatt Dial			Aiguilles Zeiger Hands	
	G	E	F	J	H	B	Sous l'aiguille des secondes Unter Sekundenzeiger Under second hand	Sous l'aiguille des minutes Unter Minutenzeiger Under minute hand	Sous l'aiguille des heures Unter Stundenzeiger Under hour hand	Sous l'aiguille compteur 1 aiguille Unter Zeiger 1 Zeiger Zähler Under hand 1 hand counter	
1	1.84	1.43	1.13	0.75	1.44	2.10	1.40	1.00	0.70	0.40	0.15



	Aig. des secondes Sekundenzeiger Second hand	Aig. des minutes Minutenzeiger Minute hand	Aig. des heures Stundenzeiger Hour hand	Aiguille compteur (1 aig.) Zähler Zeiger (1 Zeiger) Counter hand (1 hand)	Lors de la pose d'aiguilles, le mouvement doit être soutenu. Beim Zeigersetzen muss das Werk abgestützt werden. The movement needs to be supported for hand setting.
mg max.	10	30	30	10	Masse / Masse / Weight *
µNm max.	0.05	0.70	0.70	0.25	Balourd / Unwucht / Unbalance *
gmm ² max.	0.4	-	-	1.0	Inertie / Massenträgheit / Inertia *
N max.	30	40	40	30	Force de chassage / Aufpresskraft / Force

Sous réserve de toutes modifications

Aenderungen vorbehalten

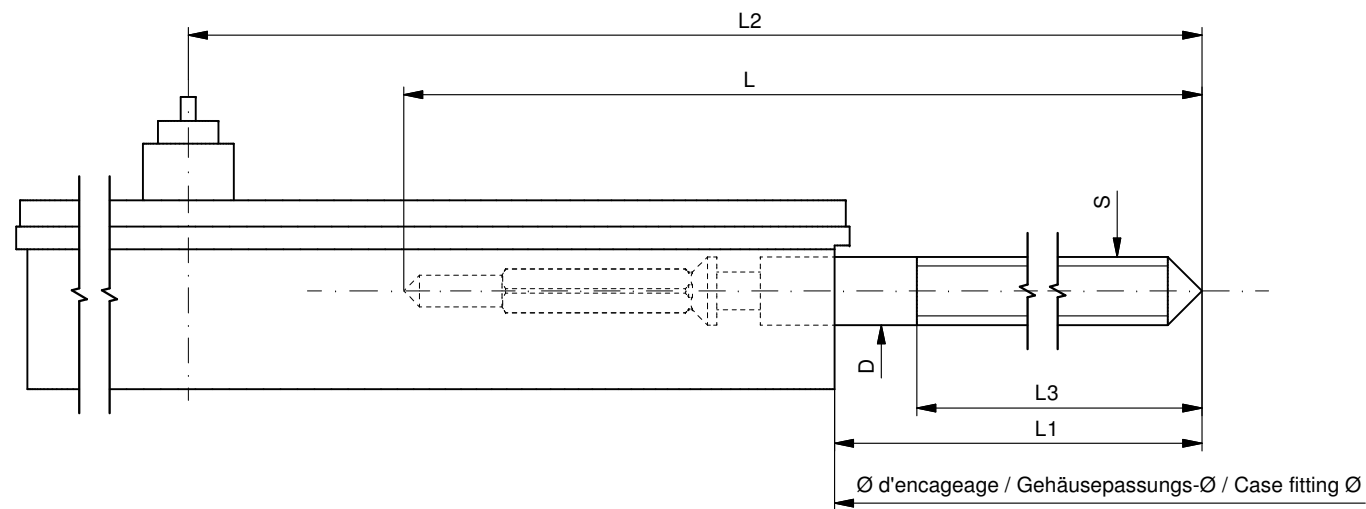
All modifications reserved

Aiguillages Zeigerwerk Höhen Hand fitting heights	10½"	
	Issued	01 Jan 1996 km
	Modified	28 Okt. 2011 ÄA 11464 dh
	Released	Yes
	Tolerance	µm
	Scale	20 : 1 (A3H)
RONDA	706.1, 706.3	
	Sous réserve de modifications Aenderungen vorbehalten Modifications reserved	
No.	3316.008	12

* En cas de données différentes, veuillez contacter le service après-vente

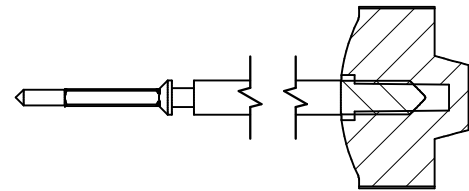
* Bei abweichenden Werten, bitte technischen Kundendienst anfragen

* In case of different values, please contact the customer service



Tige de travail (intégrée dans le mouvement)
 Arbeitstellwelle (im Werk eingebaut)
 Working stem (implemented in the movement)

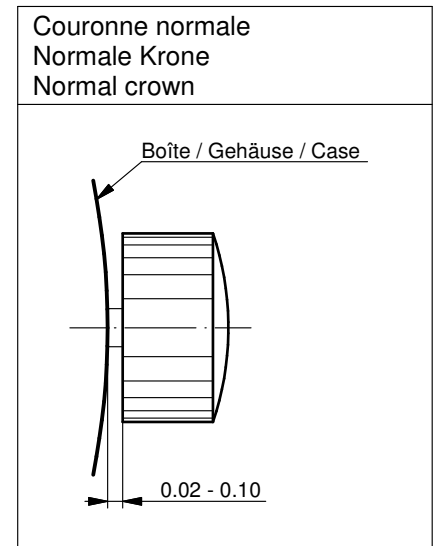
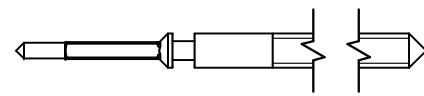
No. d'article Artikelnummer Part number	L	L1	L2	L3	S	D
3000.131.CO	17.24	8.63	20.28	12.00	0.90	0.90



Couleur de la couronne Kronenfarbe Crown color	gris grau gray
Code	UN 7008

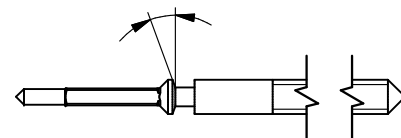
Tige (normale) / Stellwelle (normal) / Stem (normal)

No. d'article Artikelnummer Part number	L	L1	L2	L3	S	D
3000.131	17.24	8.63	20.28	12.00	0.90	0.90
3000.152	19.24	10.63	22.28	14.00	0.90	0.90
3000.151	25.00	16.39	28.04	18.76	0.90	0.90
3000.138	32.00	23.39	35.04	20.28	0.90	0.90



Tige (à arracher)
 Stellwelle (Ausreissversion)
 Stem (extractable version)

No. d'article Artikelnummer Part number	L	L1	L2	L3	S	D
3000.133	17.24	8.63	20.28	12.00	0.90	0.90

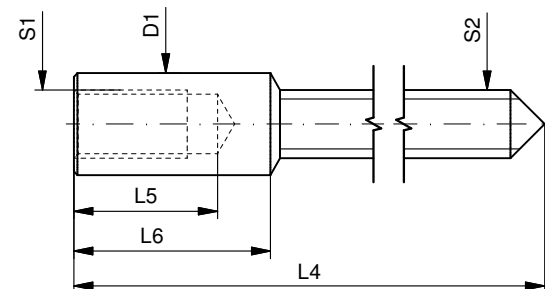


Couronne vissée
 Geschraubte Krone
 Screwed crown

Force ⇐ min. Kraft ⇐ min. Force ⇐ min.	10 N
Force ⇐ max. Kraft ⇐ max. Force ⇐ max.	15 N

Rallonge de tige / Stellwelle Verlängerung / Stem extension

No. d'article Artikelnummer Part number	L4	L5 (min)	L6	S1	S2	D1
3000.040	12.00	1.90	2.60	0.90	0.90	1.35



Tige Stellwelle Stem	(dimensions / forces) (Dimensionen / Kräfte) (dimensions / forces)		Issued	13 Aug 2012	ds5212	
	RONDA	702, 703, 704, 705, 706.1, 706.3, 706B, 708	Modified	17 Mär 2017 ÄA 34582	mg5224	
			Released	YES		
			Tolerance	---		
			Scale	10:1 (A3)		
		Sous réserve de modifications Änderungen vorbehalten Modifications reserved		No.	5030.004	02



Movement holder
Removing setting stem
H70X.1T



Movement holder
Setting hands
H706.1A



Supporting screws centre/edge
Swiss made movement holder
.0.8mm/1.4mm

Fitting dial and hand

- Remove working hand
- Fit dial
- Set date hand on any index
- Set weekday hand on any index
- Pull crown in position II
- Wind hand forwards, until weekday hand changes
- Set remaining hands at 12:00 hrs
- Set calendar functions*
- Push crown in position I

Switching times

Moon phase	~ 20:00 hrs
Weekday	~ 24:00 hrs
Date	~ 2:00 hrs

*Setting calendar functions

- Wind hand forwards, until full moon appears in dial
- Wind hand forwards, showing difference from last full moon
- Set actual time, if it is outside blocked time (22:00 to 5:00 hrs), otherwise wind hands forwards trough 5:00 hrs
- Press corrector A, until actual date is displayed
- Press corrector B, until actual weekday is displayed
- Set time, if not already done under point C.

Details: See Instruction Manual



General instructions

Removing the setting stem can only be effected in position I.

The use of supporting screws is essential when mounting the hands.

Permitted hand setting strenghts:

Hr. / min. hands:	<40N
Other hands:	<30N

The moon disc must not be adjusted other than by the stem. Any direct manipulation of the moon disc leads to loss of the holding force and thus will strongly impact the function.

Blocking period

During the blocking period between 22:00 and 5:00 hrs automatic changes are in progress. It is not allowed to activate the pushers A or B (quick-correction of date, day of the week) during the blocking period. Pressing the pusher during this period may cause malfunctions in the movement.

User's Manual English Movements Caliber



Cal. 706.1

Cal. 706.3

Pos. I Position of rest (watch running)

Pos. II *During the blocking period from 10.00 pm–5.00 am, automatic changes are in progress. It is not allowed to activate the pushers A or B or C (quick-correction of date, day of the week, month) during the blocking period. Pressing the pushers during this period may cause malfunctions in the movement.*

Setting sequence for: moonphase display, day of the week, day and time (e.g. after a battery change)

1. Pull crown out to position II (watch is stopped).
2. Set the moonphase display:
 - Turn the hands forward by turning the crown, until the full moonphase position appears.
3. Set the day of the week and date:
 - Turn the crown until the time of 06.00 am appears (= beyond the blocked time period).
 - Using the quick-change correction, set the date with pusher A, and the day of the week of the last full moon with pusher B (see table). Then using the crown, move the hands forwards until the current date appears.

Cal. 706.1

Cal. 706.3

4. Set the time:

- Turn the crown until the current time is displayed (remember the 24-hour cycle).

5. Push crown back into position I.

Quick-change correction for date:

Press pusher A, until the current date is displayed (remember the blocking period).

Quick-change correction for the day of the week:

Press pusher B, until the current day of the week is displayed (remember the blocking period).

Quick-change correction for the month: (cal. 706.3)

Press pusher C, until the current month is displayed (remember the blocking period).

Full moon dates

	2021	2022	2023	2024	2025	2026	2027	2028
JAN	28	18	07	25	13	03	22	12
FEB	27	16	05	24	12	01	21	10
MAR	28	18	07	25	14	03	22	11
APR	27	16	06	24	13	02	21	09
MAY	26	16	05	23	12	1/31	20	08
JUN	24	14	04	22	11	30	19	07
JUL	24	13	03	21	10	29	18	06
AUG	22	12	1/31	19	09	28	17	05
SEP	21	10	29	18	07	26	16	04
OCT	20	09	28	17	07	26	15	03
NOV	19	08	27	15	05	24	14	02
DEC	19	08	27	15	05	24	13	2/31

Applies to all calibers:

Battery type: 371/SR920SW

Precision: +20/-10 seconds per month

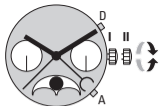


RONDA normtech

- 706.1
- 706.3
- 706.B

You have decided to buy a watch, which was assembled by a watchmaker using a Ronda movement. Please note that no watches are produced or distributed under the Ronda brand.

In case of repairs, guarantee claims and questions concerning the functioning of a watch, purchasers and consumers should contact their retailer or the watch manufacturer, for which the relevant information can be found in the sales or guarantee documentation provided with the watch.



Cal. 706.B

Pos. I Position of rest (watch running)

Pos. II During the blocking periods mentioned below, automatic changes are in progress. Pressing the pushers during these periods may cause malfunctions in the movement.

- Pusher A (quick-correction for the date) must not be pressed during the blocking period from 10.00 pm–5.00 am.
- Pusher D (quick-correction for the calendar week) must not be pressed during the blocking period from Saturday 10.00 pm–Monday 12:00 pm.

Setting sequence for: moonphase display, date, day of the week and time (e.g. after battery change)

1. Pull the crown out to position II (watch stopped).
2. Set the moonphase display:
 - Turn the crown clockwise past midnight, until the full moon position appears.

Cal. 706.B

3. Set the day of the week:
 - There is no quick-change correction available to change the day of the week, and so the day of the week must be changed as follows. Change the time display by turning the crown backwards and forwards (↶↷ / ↷↶) (↶↷ 01.00 am / ↷↶ 10.00 pm / ↶↷ 01.00 am / ↷↶ 10.00 pm / ↶↷ 01.00 am ...), until the day of the week of the last full moon is displayed.
4. Set the date:
 - Turn the crown until 06.00 am appears in the time display (= beyond the blocking time).
 - Set the date of the last full moon with pusher A. Then with the crown move the hands forwards until the current date is displayed.
5. Set the time:
 - Turn the crown, until the current time is displayed (NB remember the 24-hours cycle!).
6. Set the calendar week:
 - Using pusher D, set the current calendar week (blocking period Sunday–Monday).
7. Push the crown back into position I.

Cal. 706.B

Quick-change correction for date:

Press pusher A, until the current date is displayed (remember the blocking period between 10.00 pm–5.00 am).

Quick-change correction for the calendar week:

Press pusher D, until the current calendar week is displayed (remember the blocking period between Saturday 10.00 pm–Monday 12:00 pm).

Full moon dates

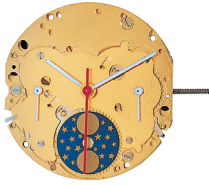
	2021	2022	2023	2024	2025	2026	2027	2028
JAN	28	18	07	25	13	03	22	12
FEB	27	16	05	24	12	01	21	10
MAR	28	18	07	25	14	03	22	11
APR	27	16	06	24	13	02	21	09
MAY	26	16	05	23	12	1/31	20	08
JUN	24	14	04	22	11	30	19	07
JUL	24	13	03	21	10	29	18	06
AUG	22	12	1/31	19	09	28	17	05
SEP	21	10	29	18	07	26	16	04
OCT	20	09	28	17	07	26	15	03
NOV	19	08	27	15	05	24	14	02
DEC	19	08	27	15	05	24	13	2/31

Applies to all calibers:

Battery type: 371/SR920SW

Precision: +20/-10 seconds per month





10 1/2^{mm}

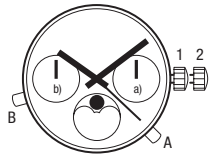


706.1

Funktionen

Fonctions

Functions

Kaliber Calibre Caliber		Funktionen Fonctions Functions	
706.1	1	Normale Position / Position normale / Running position	
	2	Zeiger & Mond stellen, Sekunden-Stopp mit Unterbruch der Motorimpulse Mise à l'heure & mise lune, stop-seconde avec interruption des impulsions moteur Hand & moon setting, stop-second with interruption of motor impulses	
	A ^{a)}	Schnellkorrektur Datum / Correction rapide de la date / Quick change of date	
	B ^{b)}	Schnellkorrektur Wochentag / Correction rapide du jour / Quick change of day	

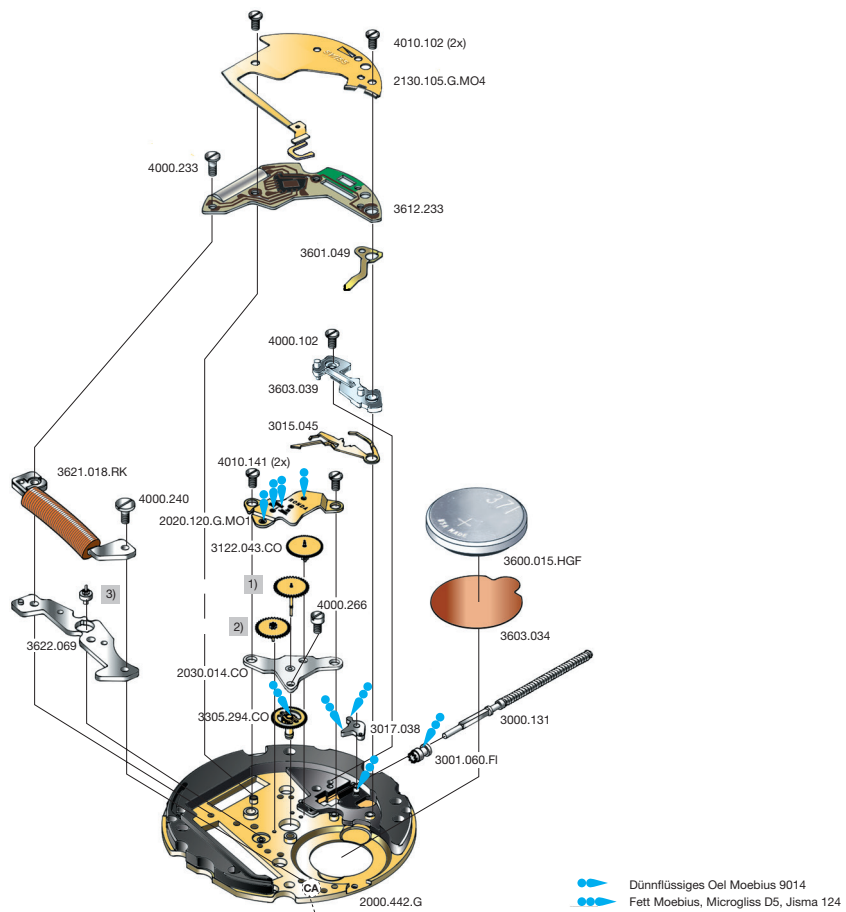
Batterie

Pile

Battery

Kaliber Calibre Caliber	Batterie Pile Battery	Spannung Voltage Tension	Artikelnummer RONDA Numero d'article RONDA Part number RONDA
706.1	371 / SR920SW	1.55 V	3600.015.HGF

10 1/2''' 706.1



Code: Beispiel CA / exemple CA / exemple CA

Cal. 706.1 Werkseite / Côté mouvement / Movement side			
Plan No.	Bestandteile	Fournitures	Spare Parts
2000.442.G	Werkplatte	Platine	Main plate
2020.120.G.MO1	Räderwerkbrücke	Pont rouage	Train w. bridge
2030.014.CO	Zentrumbrücke	Pont centre	Centre bridge
2130.105.G.MO4	Modul-Abdeckp.	Couvre module	Module cover pl.
3000.131	Stellwelle	Tige	Stem
3001.060.FI	Kupplungstrieb	Pignon coulant	Sliding pinion
3015.045	Wippe	Bascule	Yoke
3017.038	Winkelhebel	Tirette	Setting lever
3122.043.CO	Kleinbodenrad	Roue moyenne	Third wheel
1)	Sekundenrad	Roue secondes	Second-wheel
2)	Zwischenrad	Roue interméd.	Intermed. wheel
3305.294.CO	Minutenrohr	Chaussée	Cannon pinion
3600.015.HGF	Batterie	Pile	Battery
3601.049	Batterie-Kontakt	Bride contact	Battery contact
3603.034	Batterie-Isolation	Isolateur pile	Battery insulation
3603.039	Deckplatte	Couvre mécan.	Setting lev. cover
3612.233	Modul	Module	Module
3621.018.RK	Spule	Bobine	Coil
3622.069	Stator	Stator	Stator
3)	Rotor	Rotor	Rotor
4000.102	Schraube	Vis	Screw
4000.233	Schraube	Vis	Screw
4000.240	Schraube	Vis	Screw
4000.266	Schraube	Vis	Screw
4010.102	Schraube	Vis	Screw
4010.141	Schraube	Vis	Screw

Cal. 706.1		
	Bis Dez 2014 Jusqu' en Déc 2014 Untill Dec 2014	Ab Januar 2015 A partir de Janvier 2015 From January 2015
Code	2. Buchstabe ... A Second letter ... A 2 ^{ème} chiffre: ... A	2. Buchstabe: ab B Second letter: from B 2 ^{ème} chiffre: à partir de B

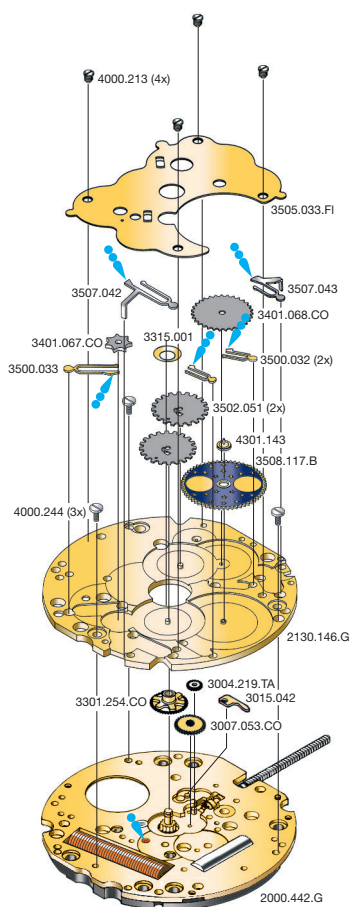
1)	3136.095.CO	3136.218.CO
2)	3147.019.CO	3147.092.CO
3)	3715.030.RK	3715.139.RK

Die obigen 3 Teile bilden jeweils eine Gruppe. Deshalb sind die 3 Teile jeder Gruppe nicht einzeln gegeneinander austauschbar.

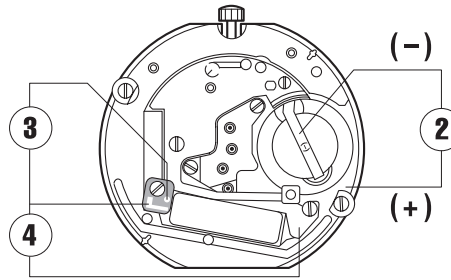
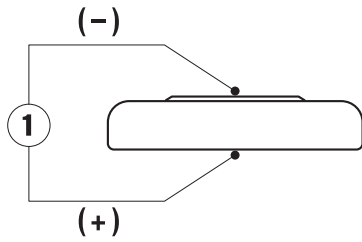
Les 3 fournitures ci-dessous forment un groupe individuel. C'est pourquoi les 3 fournitures de chaque groupe ne sont pas interchangeables.

The 3 parts mentioned above are forming an individual group. Therefore the 3 parts of each group are not interchangeable.

10 1/2''' 706.1



Cal. 706.1 Zifferblattseite / Côté cadran / Dial side			
Plan No.	Bestandteile	Fournitures	Spare Parts
2130.146.G	Kalenderplatte	Plaque calendrier	Date ind. plate
3004.219.TA	Zeigerstellrad	Renvoi minuterie	Setting wheel
3007.053.CO	Wechselrad	Minuterie	Minute wheel
3015.042	Wippe unten	Bascule dessous	Second yoke lower
3301.254.CO	Stundenrad	Canon	Hour wheel
3315.001	Spreizfeder 2 1/2	Clinquant 2 1/2	Washer 2 1/2
3401.067.CO	Wochentagrad	Roue de jour	Day wheel
3401.068.CO	Datumrad	Roue quantième	Date wheel
3500.032	Hebelfeder Mond / Datum	Ressort quantième & lune	Moon and date jumper spring
3500.033	W.-tagradklinke	Sautoir jour	Day jumper spring
3502.051	Schaltr. f. Datums.	Roue entraineuse	Date ind. driv. wh.
3505.033.FI	Deckplatte	Couvercle	Cover plate
3507.042	Drücker Datums.	Correcteur jour	Pusher day
3507.043	Drücker Datums.	Correcteur quant.	Pusher date
3508.117.B	Mondscheibe	Disque lune	Moon indicator
4000.213	Schraube	Vis	Screw
4000.244	Schraube	Vis	Screw
4301.143	Niete für Mond	Plot	Rivet of moon



Kaliber Calibre Caliber	Pos. Pos. Pos.	Einheit Unité Unit	Messwerte Valeurs mesurées Measured values	Kontrolle Contrôle Check	Bemerkungen Remarques Remarks
706.1	1	V	1,55	Batterie-Spannung Tension de la pile Battery voltage	Batterie herausnehmen und messen Enlever et mesurer la pile Remove battery for measuring
706.1	2	µA	0,8/1,35	Stromaufnahme typisch / maximum Consom. de courant typique / maximum Power consumption typical / maximum	Ohne Batterie, mit externer Speisung Sans pile, avec alimentation externe Without battery, with external power supply
706.1	2	V	≤ 1,30	Funktionskontrolle bei Minimalspannung Contrôle de fonctionnement à tension minimale Check with lowest possible voltage	Ohne Batterie, mit externer Speisung Sans pile, avec alimentation externe Without battery, with external power supply
706.1	3	KΩ	1,75–1,95	Spulenwiderstand Résistance de la bobine Resistance of the coil	Ohne Batterie Sans pile Without battery
706.1	4	KΩ	∞	Spulenisolation Isolation de la bobine Coil insulation	Ohne Batterie Sans pile Without battery
706.1		Sek./Monat sec./mois sec./month	- 10/+ 20	Induktivsonde 60 Sek. Senseur inductif 60 sec. Inductive sensor 60 sec.	Mit Batterie Avec pile With battery

Einschalen / Werkzeuge

Emboîtage / outils

Casing / tools

Nr. H 706.1A



Nr. H 70X.1T



	SWISS MADE	SWISS PARTS
Schraube / Vis / Screw I		
Schraube / Vis / Screw II		

Zeigersetzen

Maximale Aufpresskraft:

- Stunden und Minutenzeiger: max. 40N
- Sekundenzeiger: max. 30N

Beim Zeigersetzen muss das Werk abgestützt werden.

Poser les aiguilles

Force de chassage maximale:

- Aiguilles des heure et des minutes: max. 40N
- Aiguille des secondes: max. 30N

Lors de la pose d'aiguilles, le mouvement doit être soutenu.

Hand setting

Maximal force:

- Hour and minute hands: max. 40N
- Second hand: max. 30N

The movement needs to be supported for hand setting.

Stellwelle entfernen

Beim Entfernen der Stellwelle muss sich die Stellwelle in Position 1 (gedrückt) befinden, bevor auf den Winkelhebel gedrückt wird.

Enlever la tige

En enlevant la tige, la tige doit se trouver en position 1 (poussée), avant de pousser sur la tirette.

Stem removal

For removal of the stem, the stem must be pushed into position 1 (pressed in) prior to apply pressure to the setting lever.