

# RONDA slimtech 1000

Extra small and slim movements  
for exclusive styles

*Caliber 1009 – 10½'''*



## Product Specifications

Analog quartz movement	
Line	slimtech
Caliber	1009
Size	10½'''
Version	Swiss Made
	10 Jewels / gold plated
Standard battery life	25 months
High battery life	40 months
Hand fitting height	1

## Features

- Repairable metal watch movement
- Power saving mechanism with pulled out stem: Reduction of consumption approximately 70%
- Complete interchangeability between 1002-1009, 1012-1019

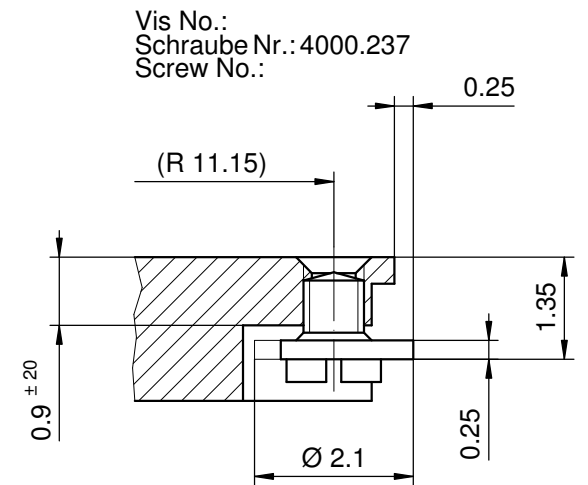
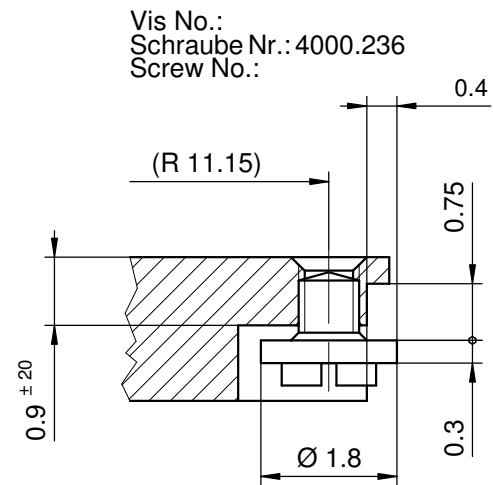
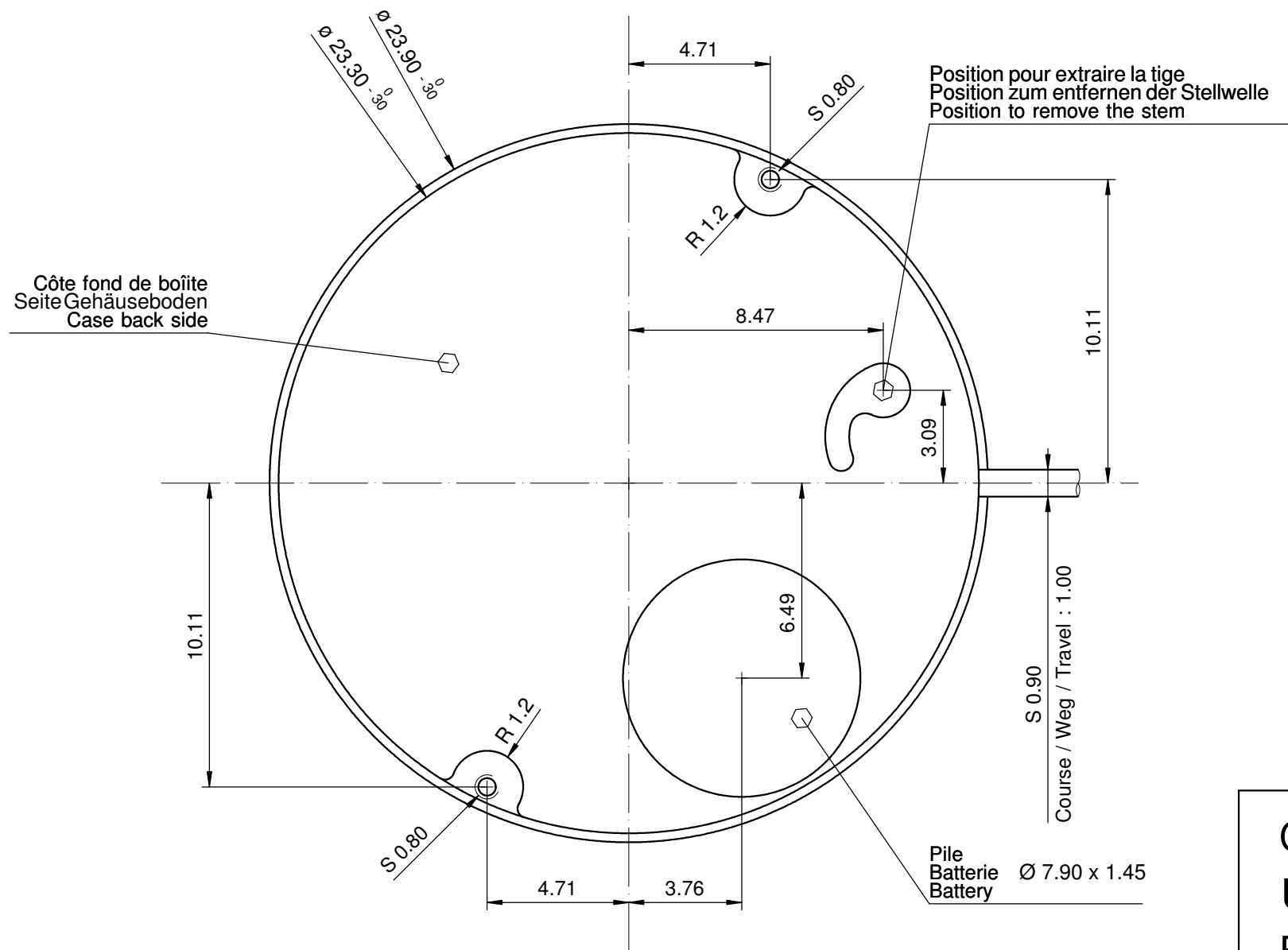
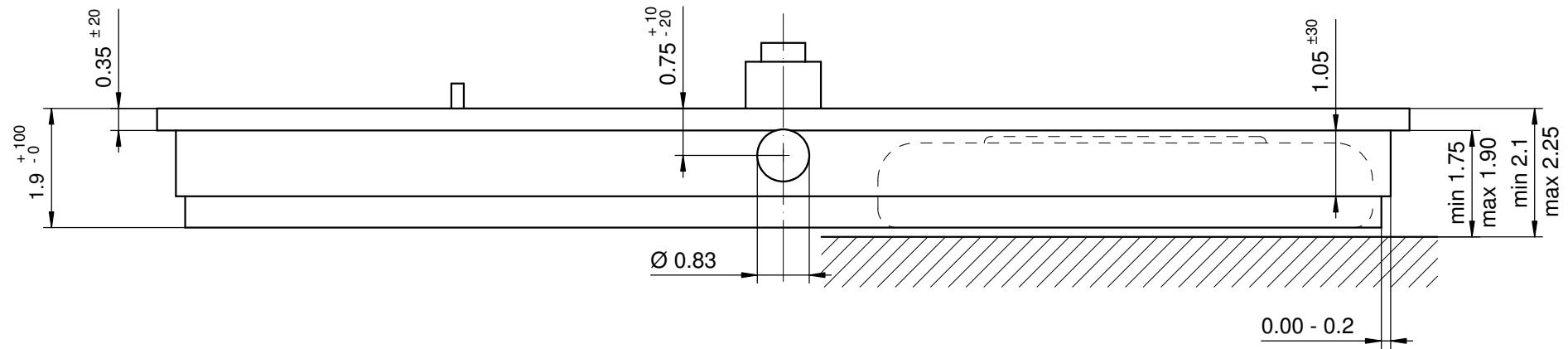
**Functions**

- Small second
- 2 hands
- Date

**Technical Specifications**

Diameter Total	23.90 mm
Case fitting	23.30 mm
Movement height	1.90 mm
Height over standard battery	1.90 mm
Height over high battery	2.15 mm
Movement rest	0.35 mm
Height over stem	0.75 mm
Length of stem travel	1.00 mm
Stem thread	0.90 mm
Standard battery	341
High battery	315
Standard battery life	25 months
High battery life	40 months
Battery voltage	1.5 V
Current consumption – typical	0.74 µA (Date Mechanism not in Gear)
Current consumption – maximum	1.1 µA (Date Mechanism not in Gear)
Useful torque second – typical	4 µNm
Useful torque minute – typical	200 µNm
Operating temperature	0 - 50 °C
Instantaneous rate	-10/ +20 sec/month
Resistance to magnetic fields	18.8 Oe
Resistance against shock	NIHS 91-10





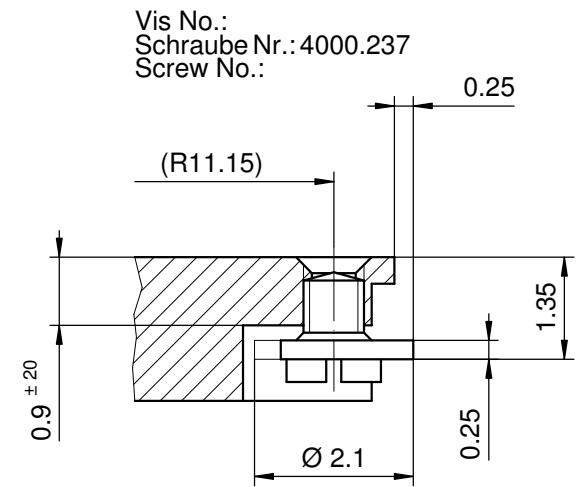
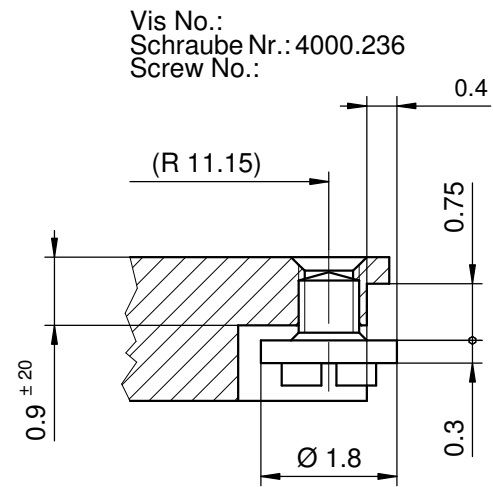
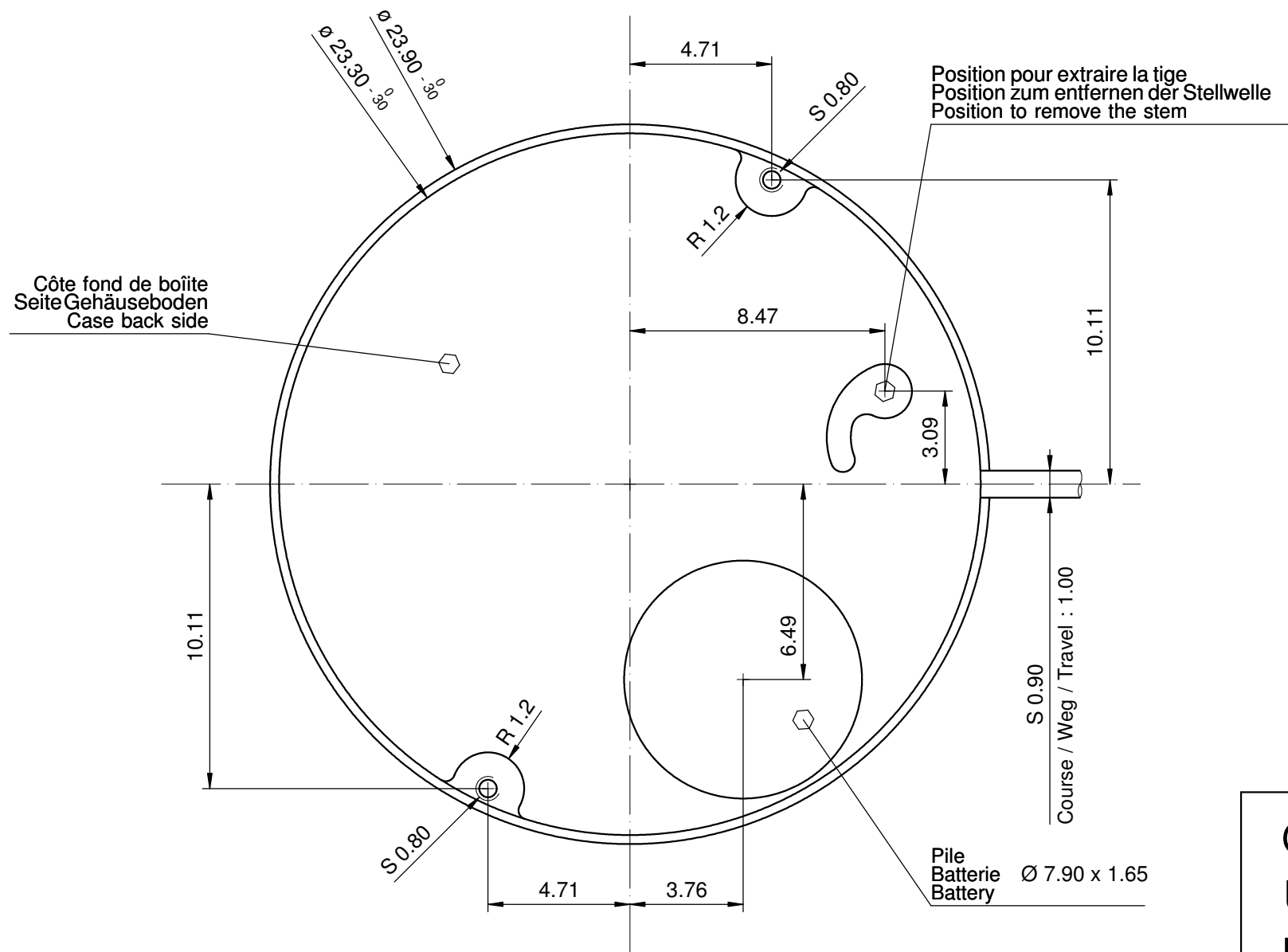
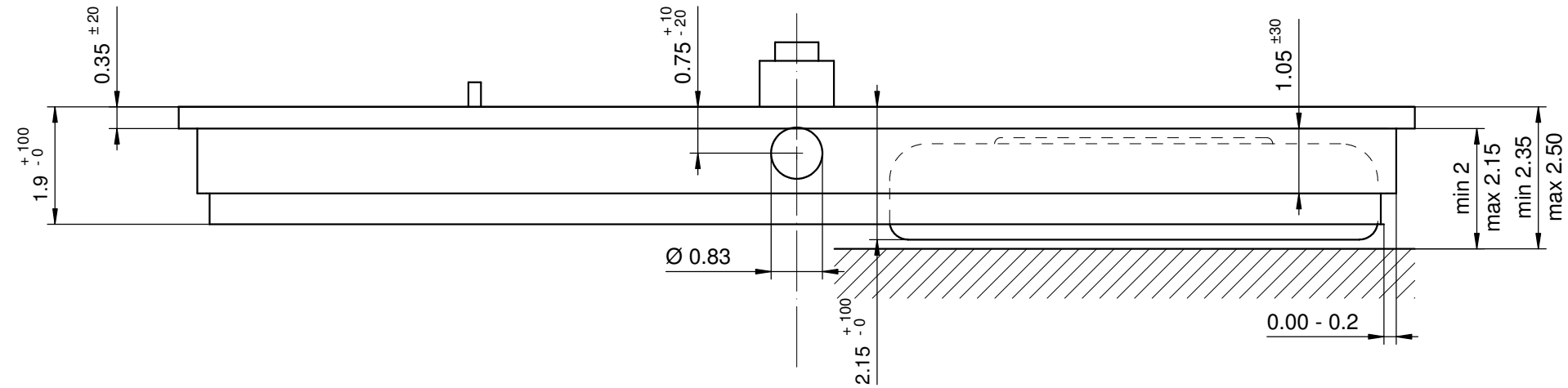
Sécurité entre aiguille minute et verre  
 Sicherheit zwischen Minutenzeiger und Glas  
 Security between minute hand and glass

: min 0.30 mm  
 : min 0.30 mm  
 : min 0.30 mm

Cage  
 Uhrwerkgestell 10½"  
 Frame

RONDA 1009

Issued	17 Mrz 2001	cm
Modified	22 Mai 2013 ÄA 13271	dh
Released	YES	
Tolerance	+/- 20 µm	
Scale	10 : 1 (5 : 1) (A3H)	
Sous réserve de modifications Aenderungenvorbehalten Modifications reserved		
No.	5000.302	08



Sécurité entre aiguille minute et verre  
Sicherheit zwischen Minutenzeiger und Glas  
Security between minute hand and glass

: min 0.30 mm  
: min 0.30 mm  
: min 0.30 mm

Cage  
Uhrwerkgestell 10½"  
Frame

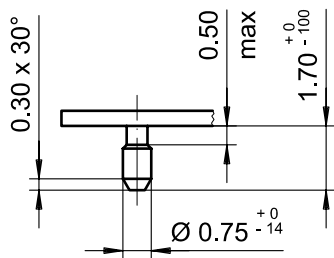
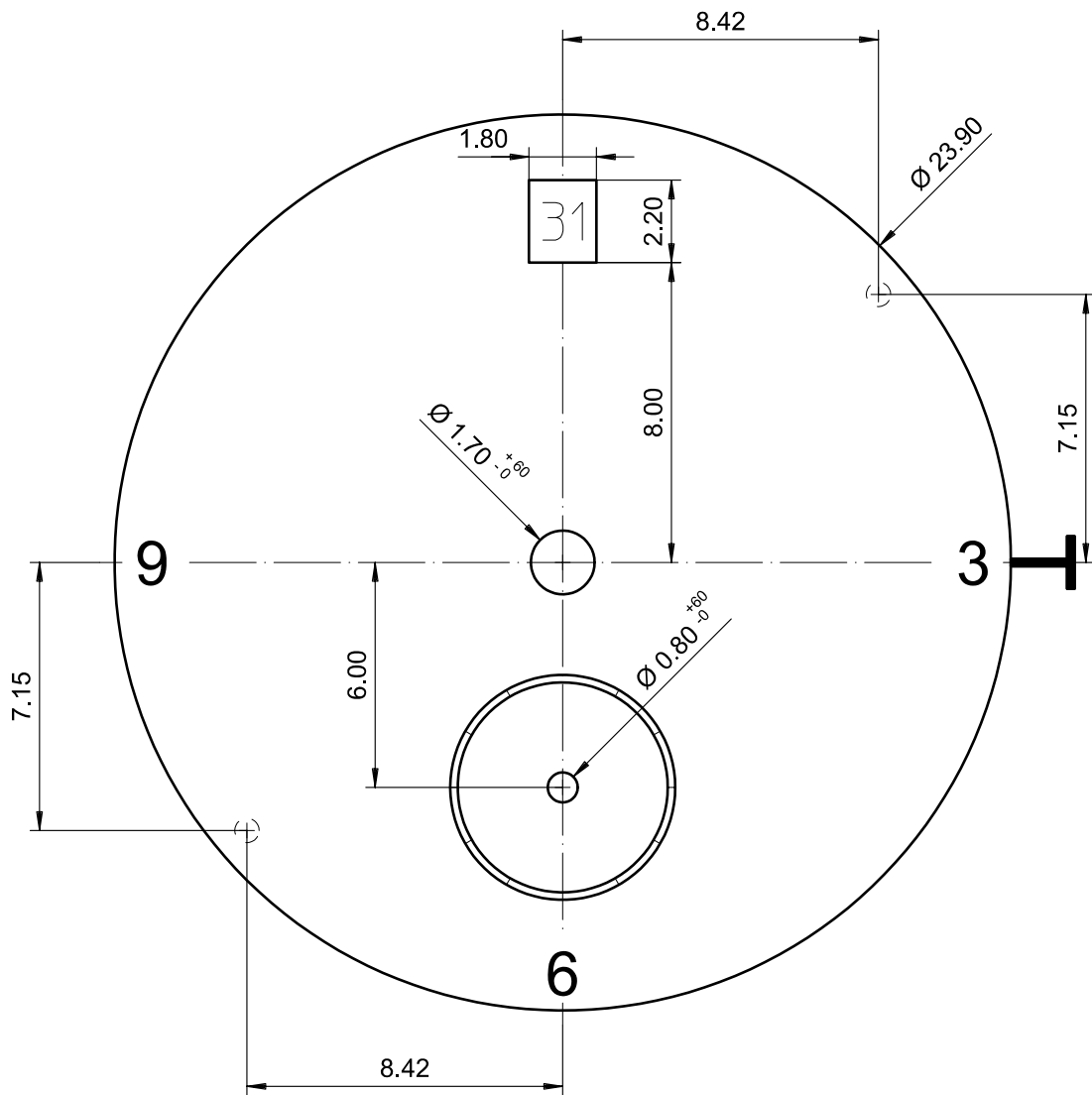
RONDA 1009

Pile Batterie  
Battery Ø7.90 x 1.65

Issued	20 Mai 2008	dh
Modified	22 Mai 2013 ÅA 13271	dh
Released	YES	
Tolerance	+/- 20 µm	
Scale	10 : 1 (5 : 1) (A3H)	

Sous réserve de modifications  
Aenderungenvorbehalten  
Modifications reserved

No. 5000.376 02



Epaisseur du cadran selon hauteur de l'aiguillage  
 Zifferblattdicke gemäss Zeigerwerkhöhen  
 Dial thickness according to hand fitting heights

Tige	Date
Stellw.	Datum
Stem	Date
<b>3H</b>	<b>12H</b>
□	

Cadran  
 Zifferblatt  
 Dial

10 1/2'''

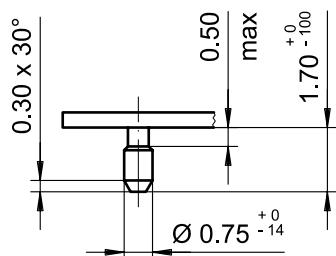
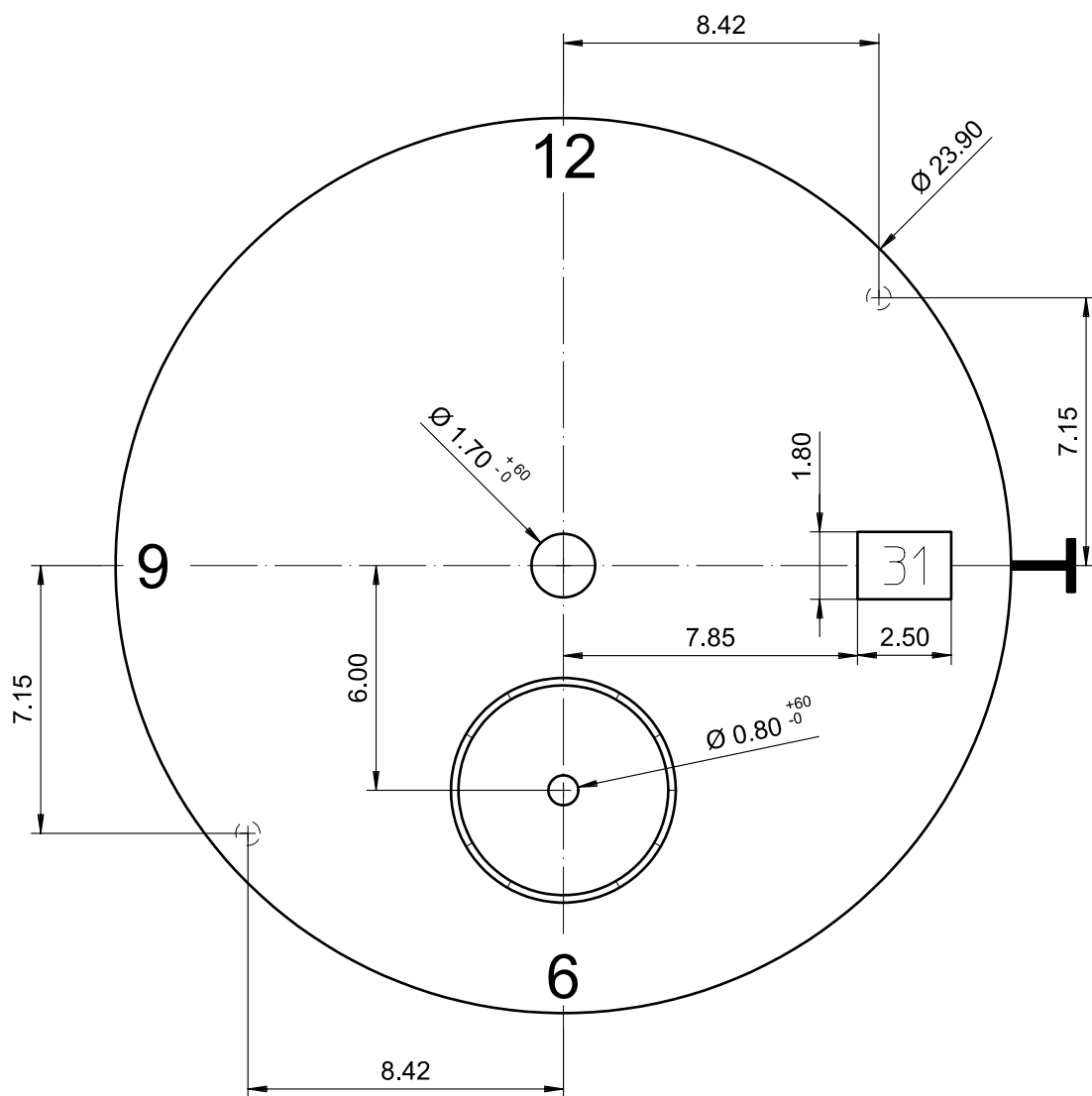
Issued	13 Dez 2006	cw
Modified	15.Dez.2006 ÄA ----	cm
Released	YES	
Tolerance	+/- 20 µm	
Scale	5 : 1 (A4V)	

RONDA

1009

Sous réserve de modifications  
 Aenderungen vorbehalten  
 Modifications reserved

No. 5010.600 01



Epaisseur du cadran selon hauteur de l'aiguillage  
 Zifferblattdicke gemäss Zeigerwerkhöhen  
 Dial thickness according to hand fitting heights

Tige	Date
Stellw.	Datum
Stem	Date
<b>3H</b>	<b>3H</b>

Cadran  
 Zifferblatt  
 Dial

10 1/2'''

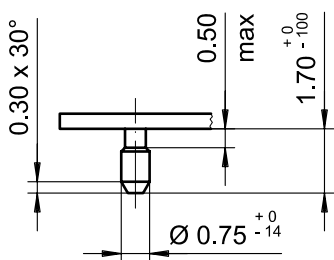
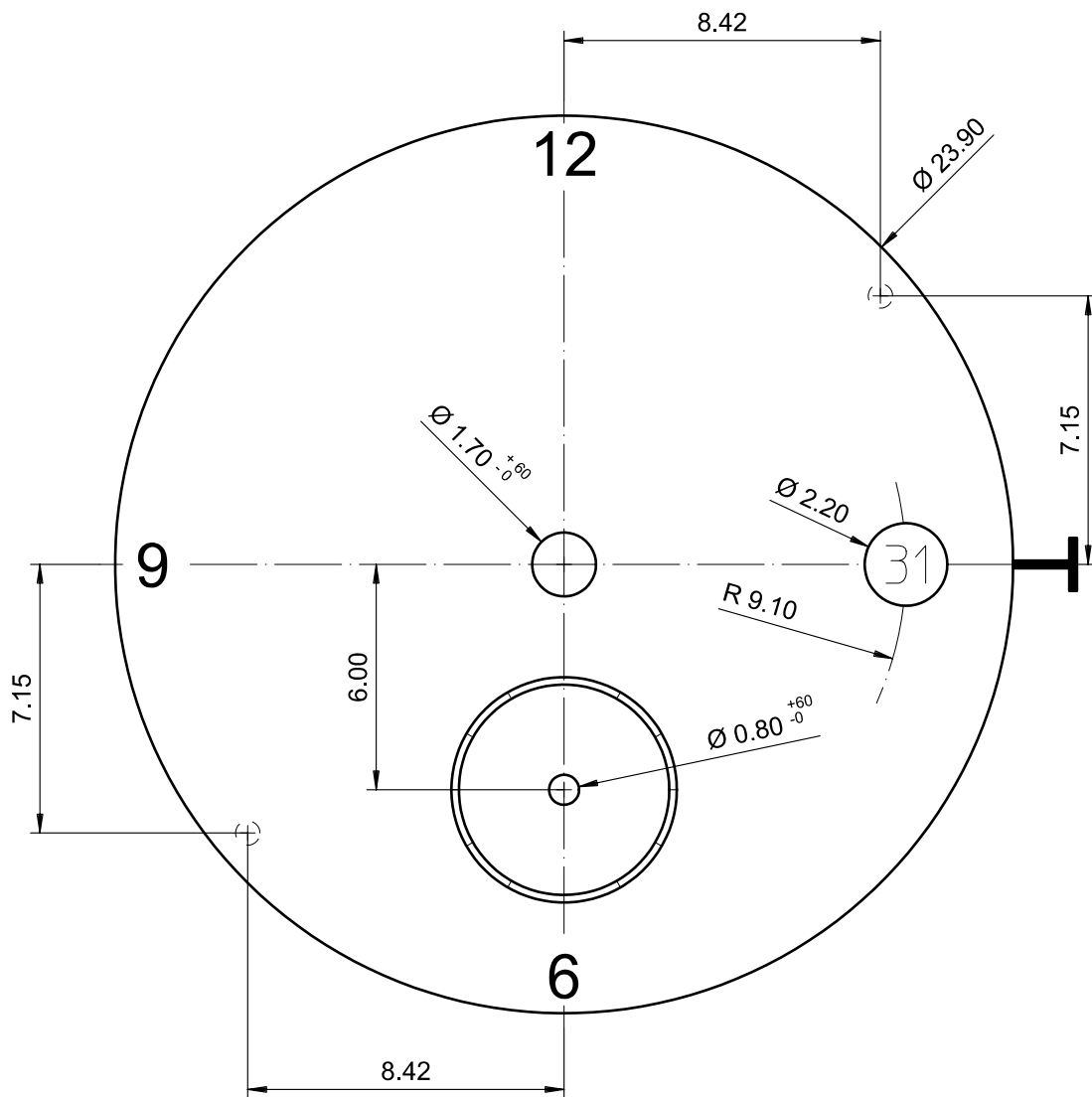
Issued	13 Dez 2006	cw
Modified	15.Dez.2006 ÄA ----	cm
Released	YES	
Tolerance	+/- 20 µm	
Scale	5 : 1 (A4V)	

RONDA

1009

Sous réserve de modifications  
 Aenderungen vorbehalten  
 Modifications reserved

No. 5010.523 01



Epaisseur du cadran selon hauteur de l'aiguillage  
 Zifferblattdicke gemäss Zeigerwerkhöhen  
 Dial thickness according to hand fitting heights

Tige	Date
Stellw.	Datum
Stem	Date
<b>3H</b>	<b>3H</b>

Cadran  
 Zifferblatt  
 Dial

10 1/2'''

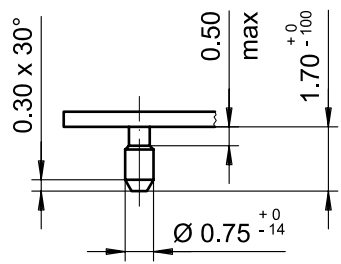
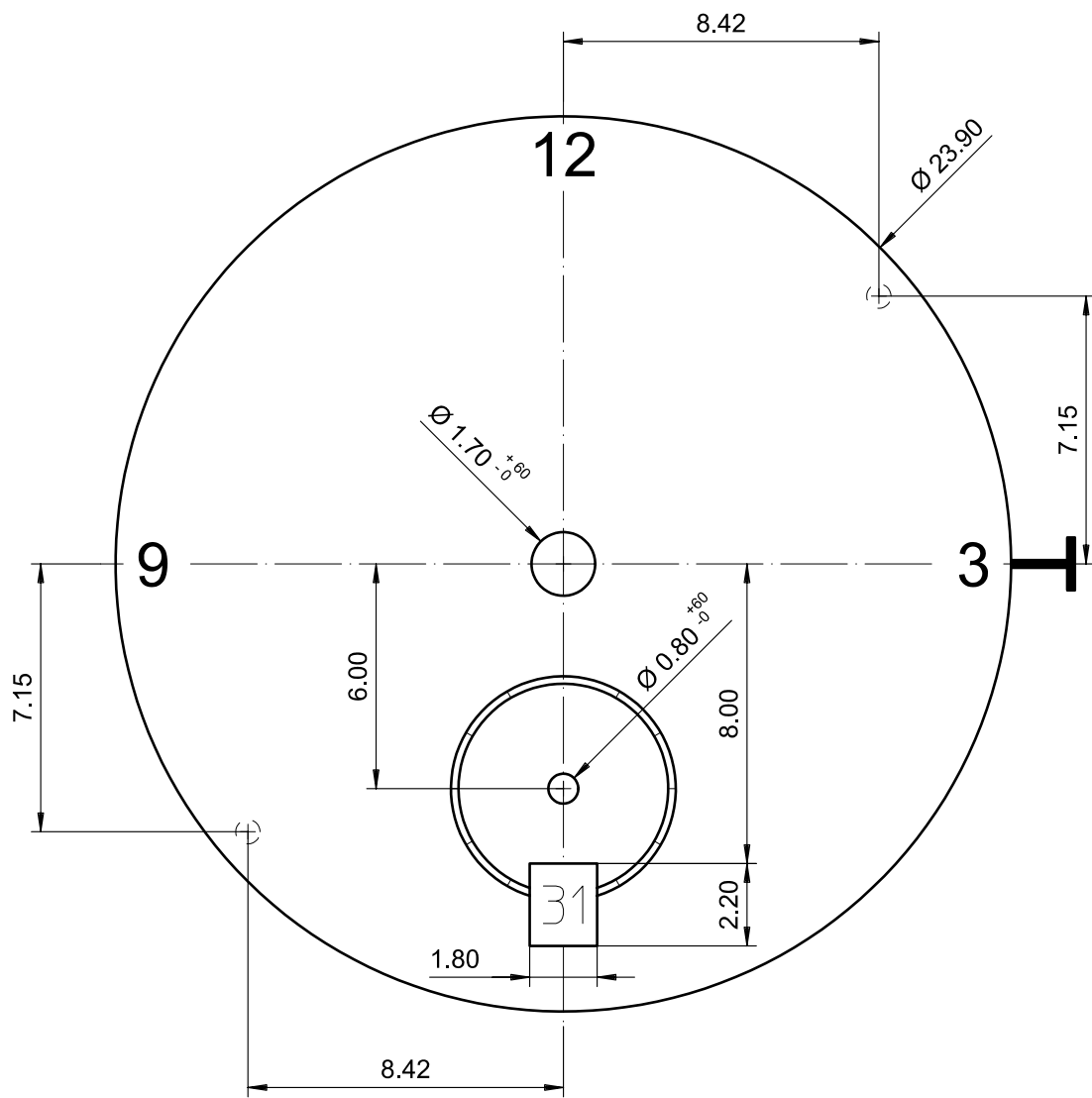
Issued	13 Dez 2006	cw
Modified	15.Dez.2006 ÄA ----	cm
Released	YES	
Tolerance	+/- 20 µm	
Scale	5 : 1 (A4V)	

RONDA

1009

Sous réserve de modifications  
 Aenderungen vorbehalten  
 Modifications reserved

No.	5010.594	01
-----	----------	----

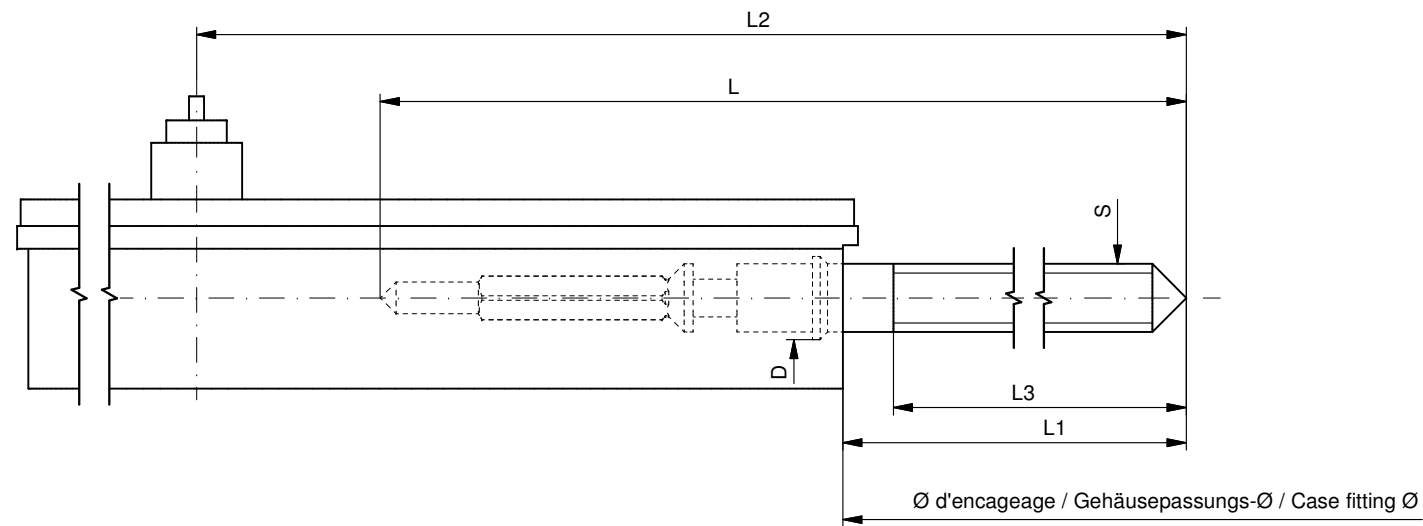


Epaisseur du cadran selon hauteur de l'aiguillage  
 Zifferblattdicke gemäss Zeigerwerkhöhen  
 Dial thickness according to hand fitting heights

Tige	Date
Stellw.	Datum
Stem	Date
<b>3H</b>	<b>6H</b>
	<input type="checkbox"/>

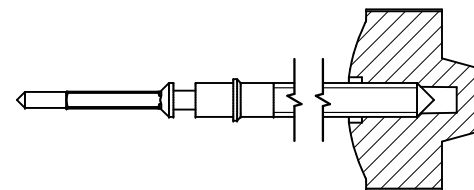
<b>Cadran</b> <b>Zifferblatt</b> <b>Dial</b>	<b>10 1/2'''</b>	Issued	13 Dez 2006	cw
		Modified	15.Dez.2006 ÄA ----	cm
		Released	YES	
		Tolerance	+/- 20 µm	
		Scale	5 : 1 (A4V)	
<b>RONDA</b>	<b>1009</b>	Sous réserve de modifications Aenderungen vorbehalten Modifications reserved		
		No.	5010.590	01





Tige de travail (intégrée dans le mouvement)  
 Arbeitstellwelle (im Werk eingebaut)  
 Working stem (implemented in the movement)

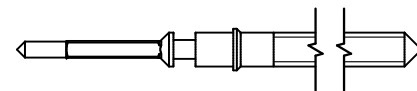
No. d'article Artikelnummer Part number	L	L1	L2	L3	S	D
3000.169.CO	20.00	11.28	22.93	11.75	0.90	0.90



Couleur de la couronne Kronenfarbe Crown color	noir schwarz black
Code	UN 0055

Tige (normale) / Stellwelle (normal) / Stem (normal)

No. d'article Artikelnummer Part number	L	L1	L2	L3	S	D
3000.169	20.00	11.28	22.93	11.75	0.90	0.90



Couronne normale  
 Normale Krone  
 Normal crown

Boîte / Gehäuse / Case

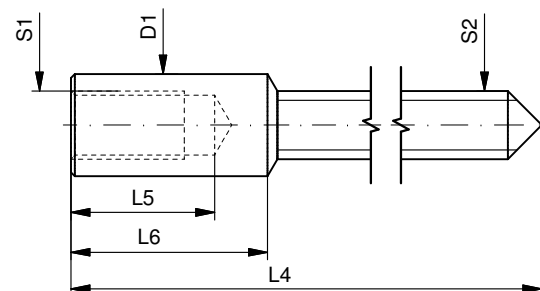
0.02 - 0.10

Couronne vissée  
 Geschraubte Krone  
 Screwed crown

Force ⇐ min. Kraft ⇐ min. Force ⇐ min.	10 N
Force ⇐ max. Kraft ⇐ max. Force ⇐ max.	15 N

Rallonge de tige / Stellwelle Verlängerung / Stem extension

No. d'article Artikelnummer Part number	L4	L5 (min)	L6	S1	S2	D1
3000.040	12.00	1.90	2.60	0.90	0.90	1.35



Tige Stellwelle Stem	(dimensions / forces) (Dimensionen / Kräfte) (dimensions / forces)		Issued	31 Aug 2012	ds5222	
	RONDA	1005, 1006, 1009	Modified	17 Mär 2017 ÄA 34582	mg5224	
			Released	YES		
			Tolerance	---		
			Scale	10:1 (A3)		
		Sous réserve de modifications Änderungen vorbehalten Modifications reserved				
No.	5030.014				03	

# User's Manual English

## Movements Caliber

### RONDA powertech

– 585  
– 505  
– 515

### RONDA slimtech

– 1005  
– 1006  
– 1009  
– 1015  
– 1016  
– 1019

### RONDA normtech

– 774 – 6003.D  
– 775 – 6004.D  
– 704 – 6003.B  
– 705 – 6004.B  
– 784  
– 785  
– 714  
– 715  
– 715Li

### RONDA mastertech

– 7002.B  
– 7003.B  
– 7004.B

You have decided to buy a watch, which was assembled by a watchmaker using a Ronda movement. Please note that no watches are produced or distributed under the Ronda brand.

In case of repairs, guarantee claims and questions concerning the functioning of a watch, purchasers and consumers should contact their retailer or the watch manufacturer, for which the relevant information can be found in the sales or guarantee documentation provided with the watch.

#### Cal. 585 / 785:

Battery type: 362/SR721SW

#### Cal. 774 / 775 / 784:

Battery type: 364/SR621SW

#### Cal. 505 / 515 / 704 / 705 / 714 / 715:

Battery type: 371/SR920SW

#### Cal. 6003.D / 6004.D / 6003.B / 6004.B:

Battery type: 373/SR916SW

#### Cal. 1005 / 1006 / 1009 / 1015 / 1016 / 1019:

Battery type: 341/SR714SW

#### Cal. 7002.B / 7003.B / 7004.B:

Battery type: 381/SR1120SW

#### Cal. 715Li:

Battery type: CR 2016

Precision: +20/-10 seconds per month

Cal. 585

Cal. 6003.D

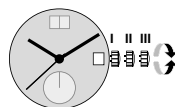
Cal. 505

Cal. 6004.D

Cal. 515

Cal. 6003.B

Cal. 6004.B



**Pos. I Position of rest** (watch running)

**Pos. II Quick-change correction for date**

*The date can also be corrected during the day-changing phase between 10 pm and midnight. The date of the following day has to be set, because no automatic date change takes place at midnight.*

- Pull the crown out to position II (watch still running).
- Turn the crown clockwise until the required date appears.

*Cal. 6003.D & 6004.D:*

- Turn the crown until the required date appears.
- Push the crown back into position I.

**Pos. III Setting the time**

- Pull the crown out to position III (watch stopped).
- Turn the crown, until the current time is displayed (remember the 24-hour cycle).
- Push the crown back into position I.

Cal. 774

Cal. 715Li

Cal. 775

Cal. 704

Cal. 1005

Cal. 705

Cal. 1006

Cal. 784

Cal. 1009

Cal. 785

Cal. 1015

Cal. 714

Cal. 1016

Cal. 715

Cal. 1019



**Pos. I Position of rest** (watch running)

**Pos. II Quick-change correction for date**

*Blocking time for the quick-change day correction is from approx. 9.30 pm and midnight.*

- Pull the crown out to position II (watch still running).
- Turn the crown until the current date appears.
- Push the crown back into position I.

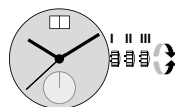
**Pos. III Setting the time**

- Pull the crown out to position III (watch stopped).
- Turn the crown, until the current time is displayed (remember the 24-hour cycle).
- Push the crown back into position I.

Cal. 7002.B

Cal. 7003.B

Cal. 7004.B



**Pos. I Position of rest** (watch running)

**Pos. II Quick-change correction for date**

*The date can also be changed during the day-changing phase between approx. 8.00 pm and midnight. The date of the following day has to be set, because no automatic date change takes place at midnight.*

- Pull the crown out to position II (watch still running).
- Turn the crown until the current date appears.
- Push the crown back into position I.

**Pos. III Setting the time**

- Pull the crown out to position III (watch stopped).
- Turn the crown, until the current time is displayed (remember the 24-hour cycle).
- Push the crown back into position I.