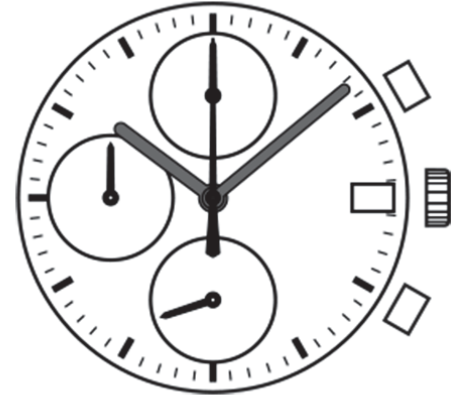


Watch Movement Specification and Drawing

Premium Chronograph Movement

VK67A



Movement Size: **13 1/2"**
 Diameter: **Φ30.80mm**
 Height: **5.10mm**

Items	Ver.	Items	Ver.
Specification	1		
Appearance	1		
Casing	1		
Hand Fitting	1		
Hand Setting Stem	1		
Dial	1		
Assembly Plan - 1	1		
Assembly Plan - 2	1		
Hands	1		

CAL.VK67A 13½ Ligne Quartz Movement

Two Hands with 3 Eyes & Date

1/5 Center Chronograph Second Hand

Small Chronograph Minute & Hour Hands, Small Second Hand

1. FUNCTION

· Jewel	0 jewel	
· Accuracy	Less than ± 20 seconds / month (Normal temperature range)	
· Battery life	Approx. 3 years	
· Regulation hands unbalance	Hour hand	: Less than $0.50 \mu\text{N}\cdot\text{m}$ (50 mg·mm)
	Minute hand	: Less than $0.60 \mu\text{N}\cdot\text{m}$ (60 mg·mm)
	Small second hand	: Less than $0.05 \mu\text{N}\cdot\text{m}$ (5 mg·mm)
	Center chronograph second hand	: Less than $0.20 \mu\text{N}\cdot\text{m}$ (20 mg·mm)
	Small chronograph minute & hour hands	: Less than $0.05 \mu\text{N}\cdot\text{m}$ (5 mg·mm)
· The moment of inertia	Center chronograph second hand	: Less than 400 mg·mm ²
	Small chronograph minute & hour hands	: Less than 30 mg·mm ²
· Additional function	Date display with quick date correction	
	Chronograph : maximum count for 60 minutes & 12 hours per cycle	

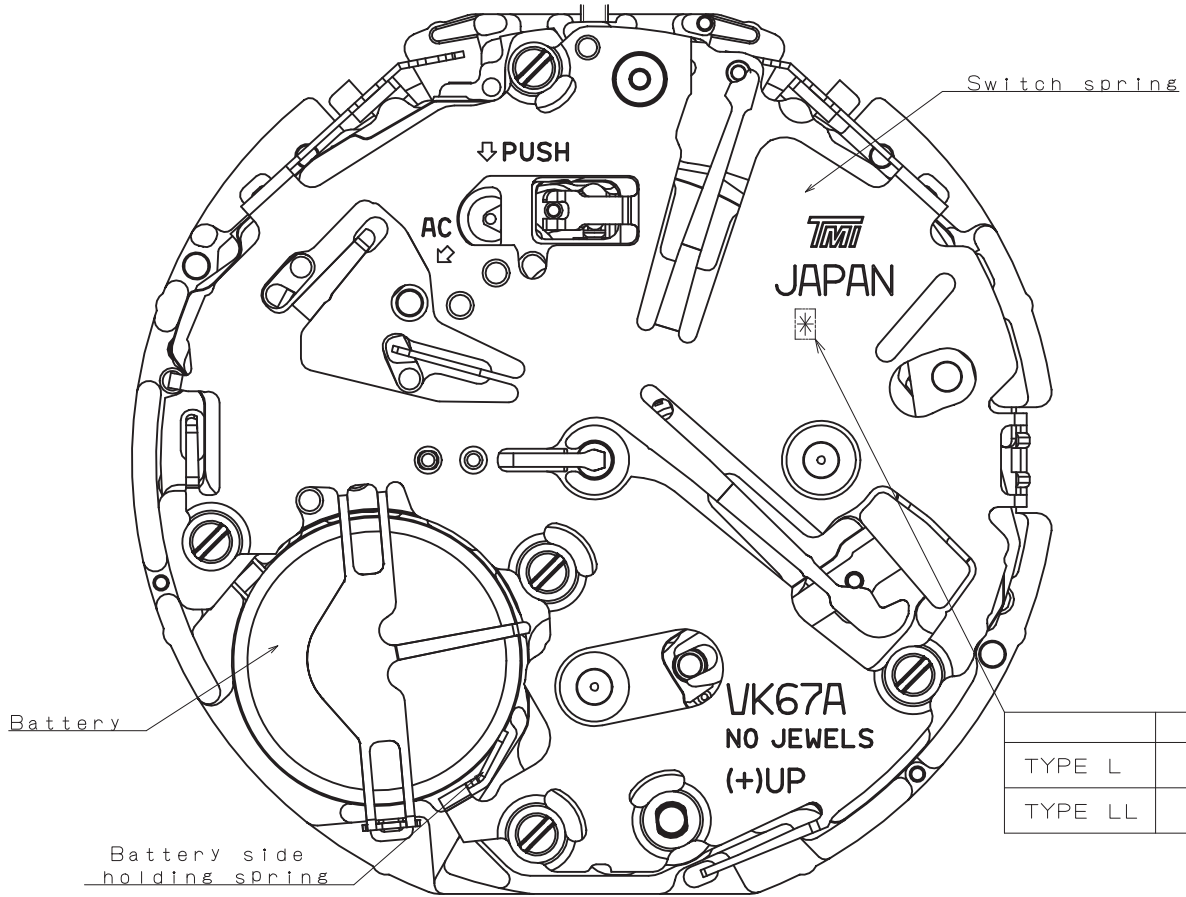
2. USE AND TEST CONDITION

· Battery	SR936SW	(Recommended battery is SEIZAIKEN)
· Operation temperature range	From - 5 °C to + 50 °C	
· Antimagnetic	$\geq 1600 \text{ A / m}$	(Direct current magnetic field)
· Test of accuracy	10 seconds	(Duration of measurement)

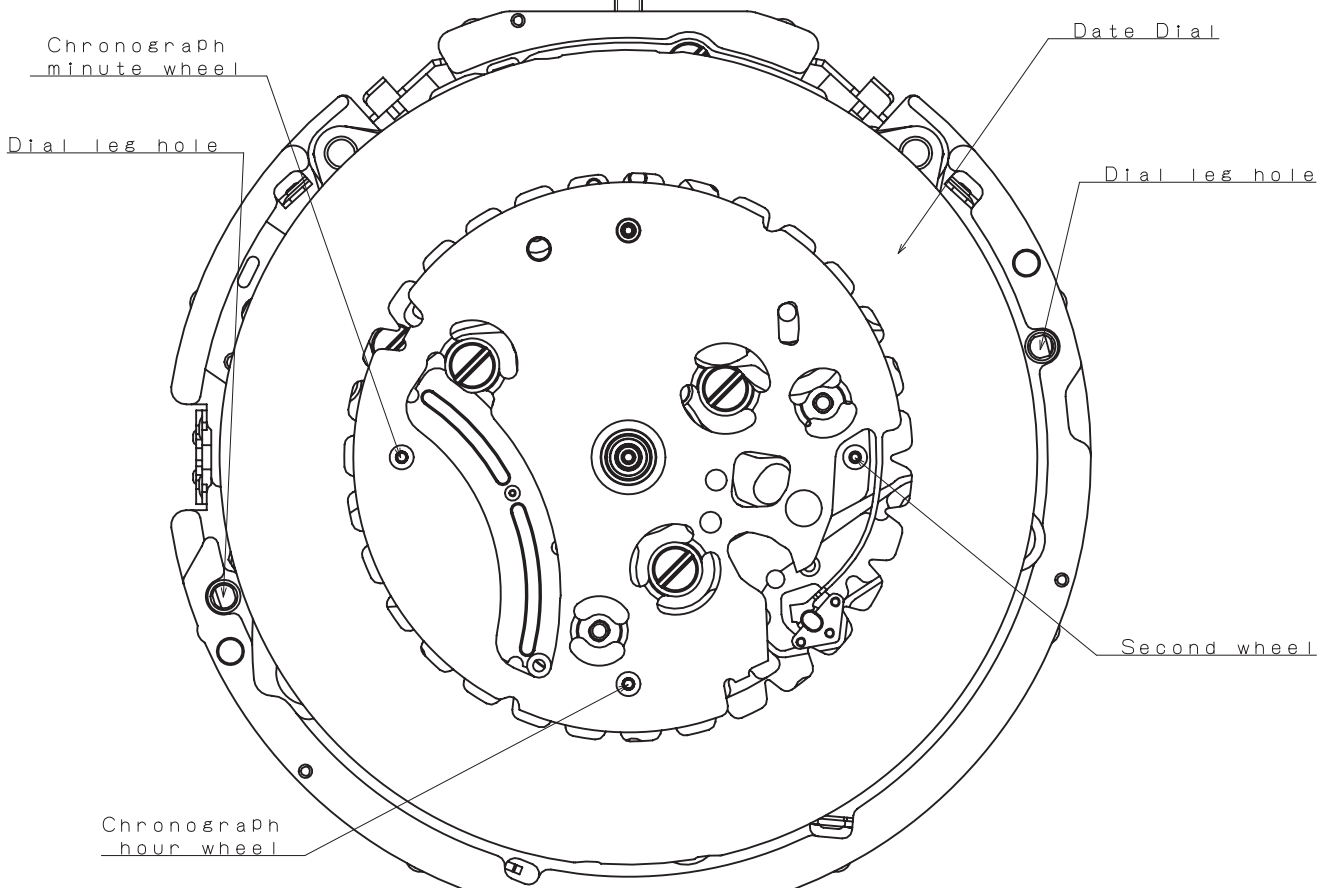
*** All specifications are subject to change without notice.**

Appearance

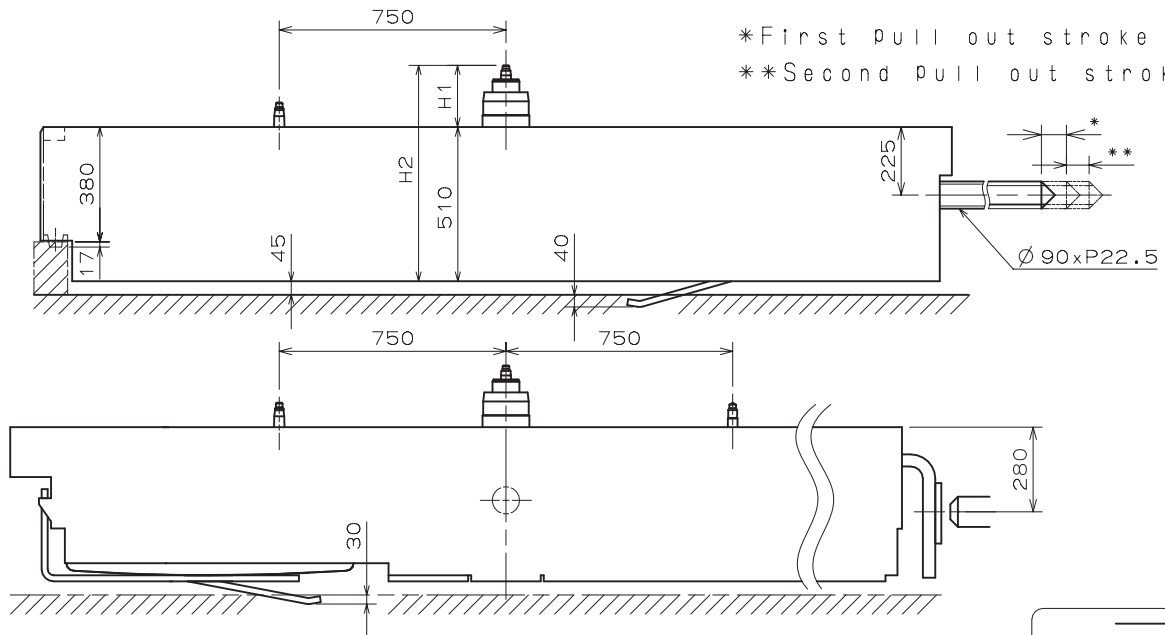
VK67A



	*
TYPE L	3
TYPE LL	4

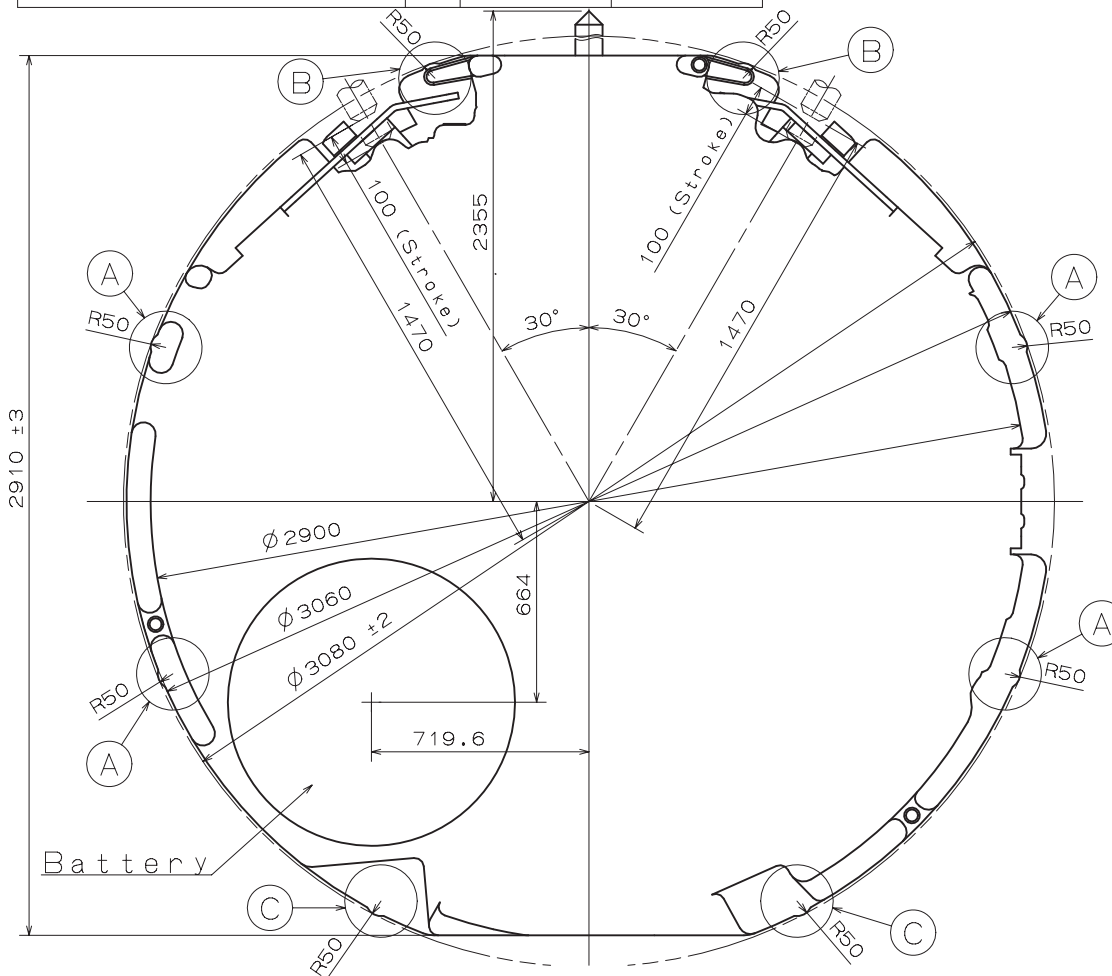
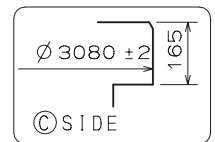
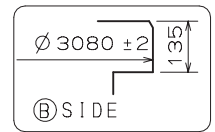
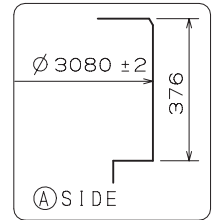


Version : 1



*First pull out stroke 44.4
 **Second pull out stroke 40.4

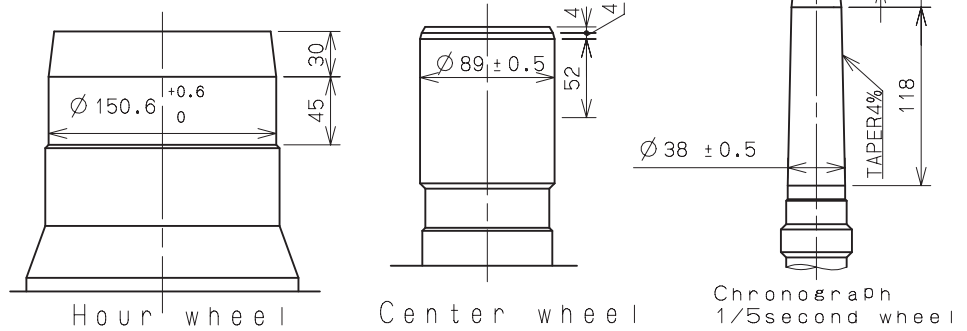
Center post 中心柱位		TYPE L 高針	TYPE LL 特高針
Maximum height from main plate surface 與機芯平面的最大高度	H1	235	280
Total height incl. movement 機芯總高度	H2	745	790



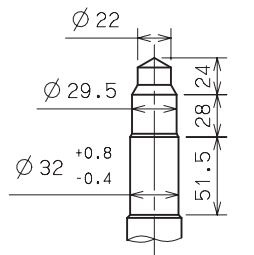
Hand Fitting

VK67A

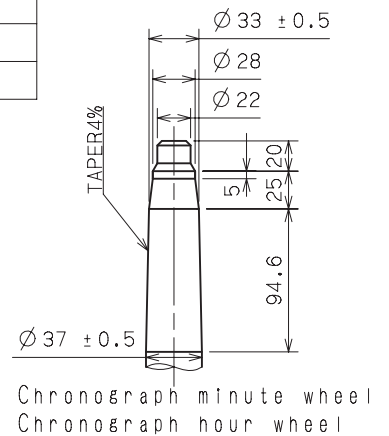
- *Hour hand unbalance $\leq 0.5 \mu\text{N}\cdot\text{m}$ (50mg·mm)
- *Minute hand unbalance $\leq 0.6 \mu\text{N}\cdot\text{m}$ (60mg·mm)
- *Second hand unbalance $\leq 0.05 \mu\text{N}\cdot\text{m}$ (5mg·mm)
- *Chronograph 1/5 second hand unbalance $\leq 0.20 \mu\text{N}\cdot\text{m}$ (20mg·mm)
- *Chronograph minute hand unbalance $\leq 0.05 \mu\text{N}\cdot\text{m}$ (5mg·mm)
- *Chronograph hour hand unbalance $\leq 0.05 \mu\text{N}\cdot\text{m}$ (5mg·mm)



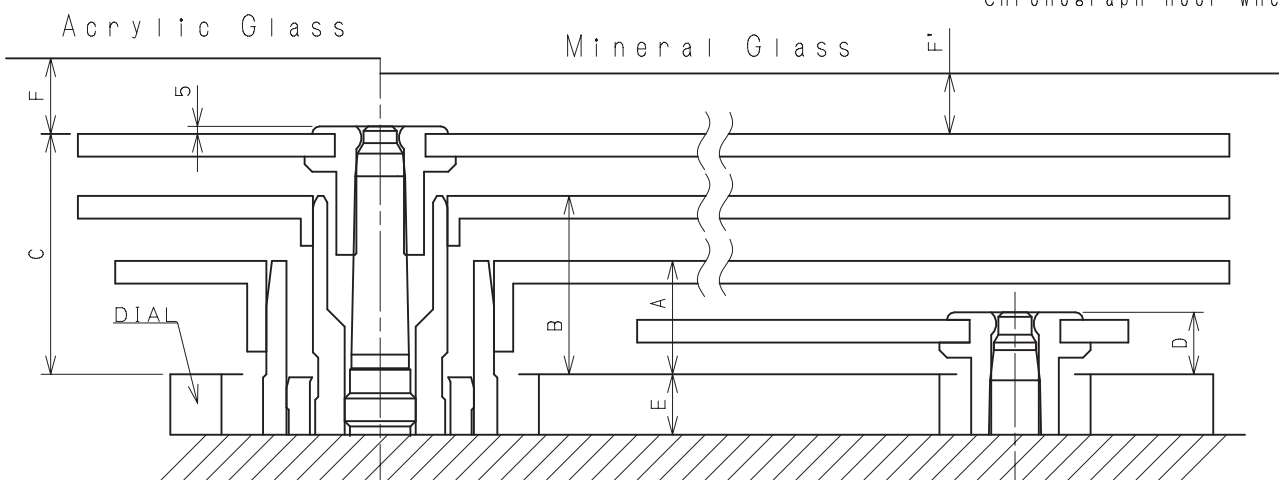
Part name		Part No.	
		TYPE L 高針	TYPE LL 特高針
Hour wheel	時針輪	0273 041	0273 042
Center wheel	分針輪	0221 091	0221 092
Second wheel	秒針輪	0240 018	0240 019
Chronograph minute wheel	計時分針輪	0902 017	0902 018
Chronograph hour wheel	計時時針輪	0902 017	0902 018
Chronograph 1/5 second wheel	1/5計時秒針輪	0888 027	0888 029



Second wheel



Chronograph minute wheel
Chronograph hour wheel

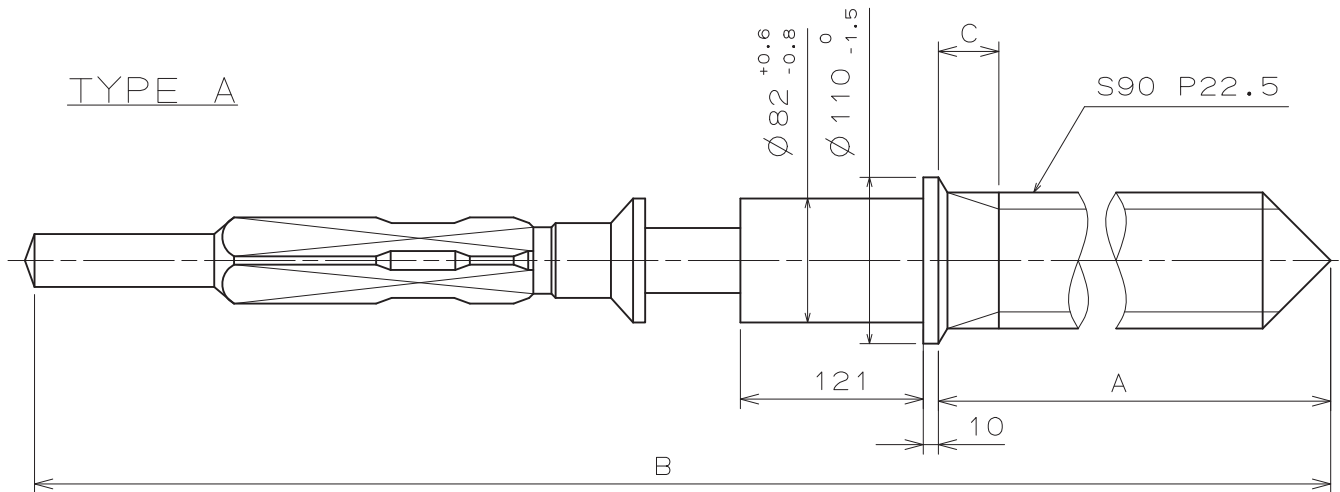


	A	B	C	D	E	F	F'
TYPE L 高針	95	145	190	41	40	50	40
TYPE LL 特高針	95	145	190	45	85	50	40

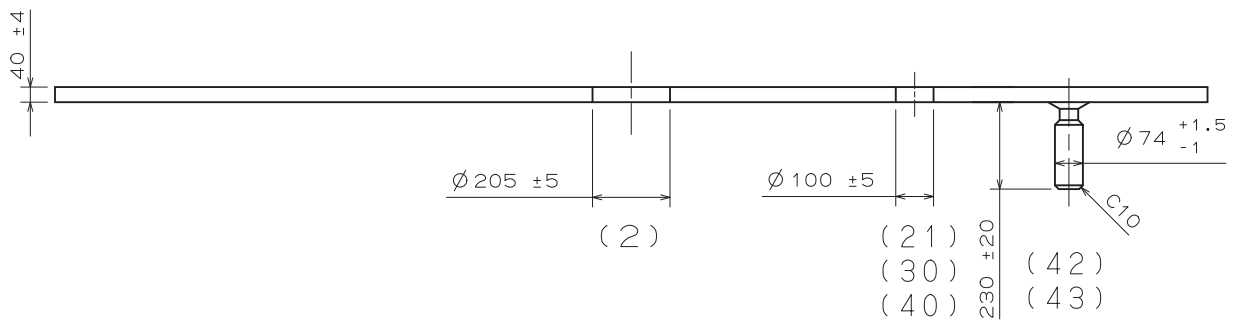
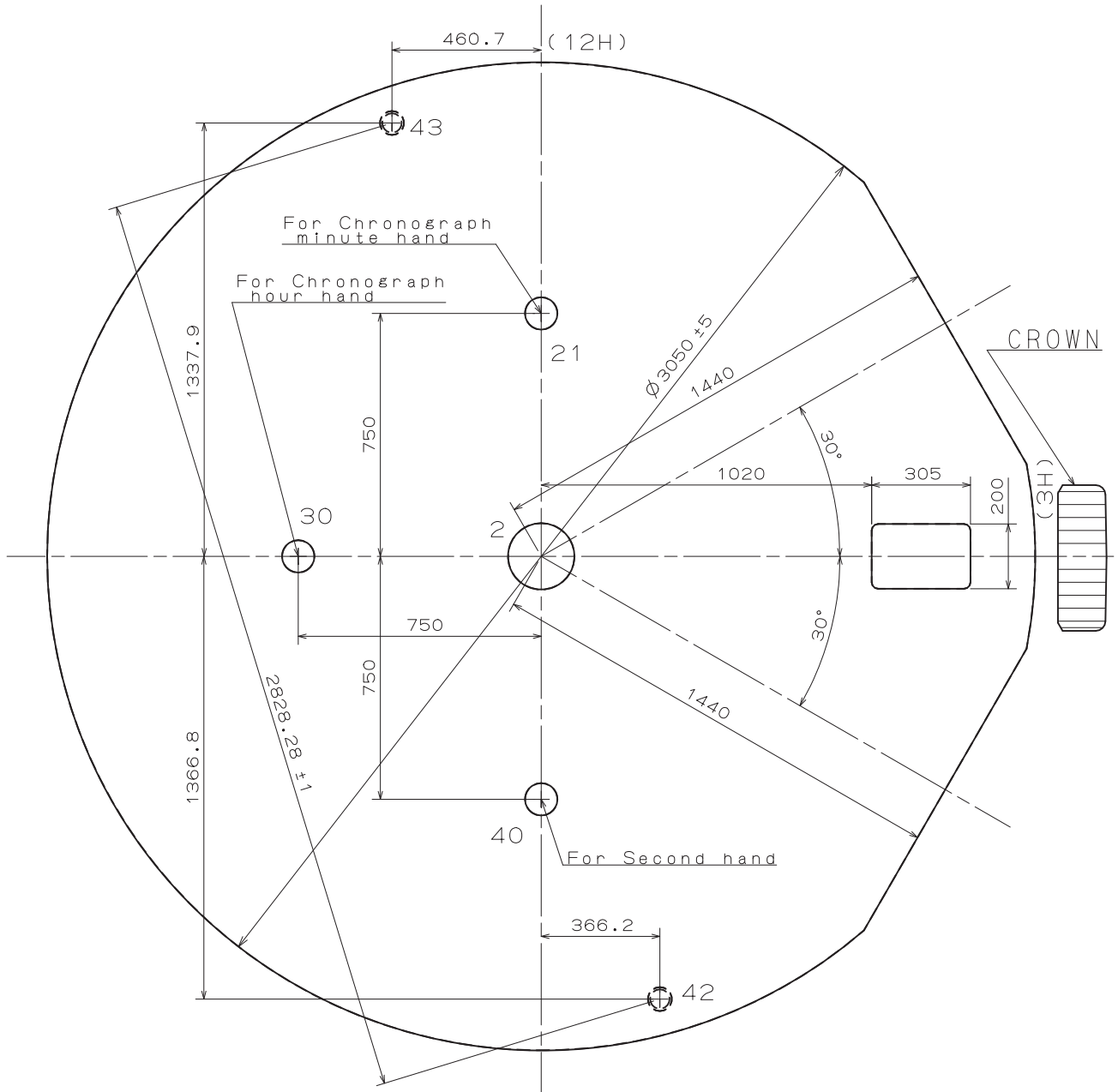
*Do not reuse the chronograph hands once detached.
Please change and use new hands.

Unit : 1=1/100mm

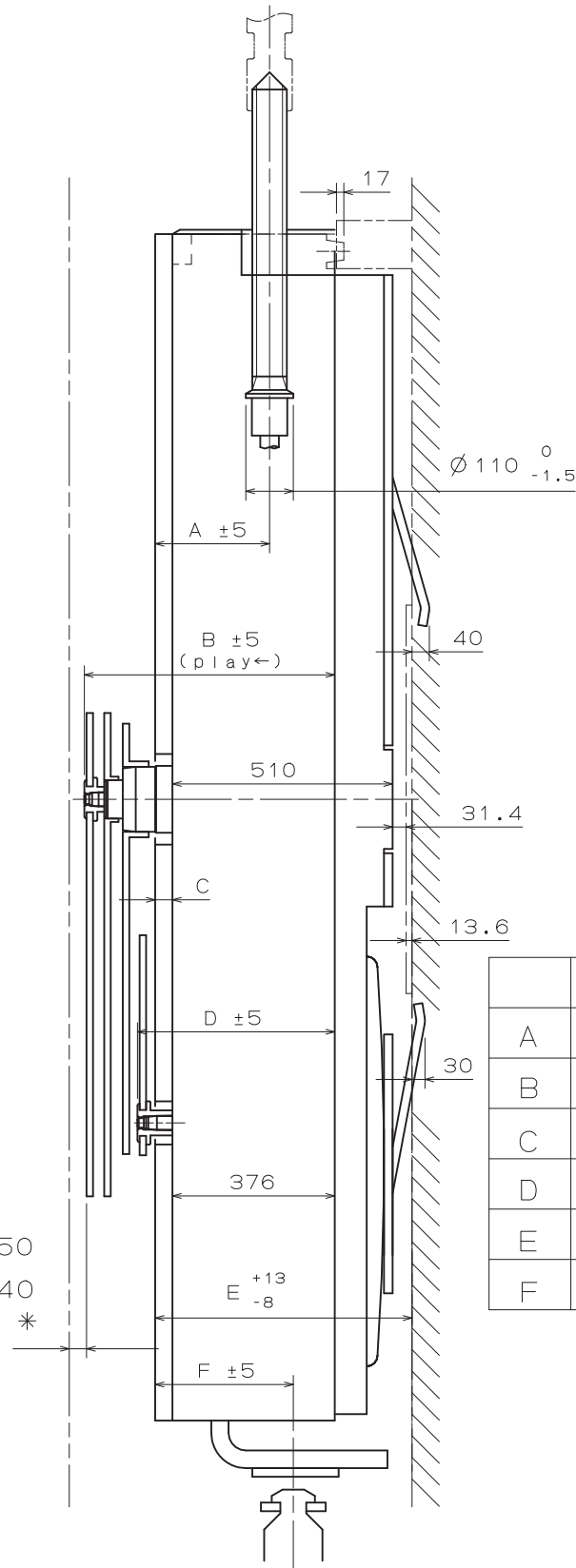
Version : 1



	Part No.	A	B	C
TYPE A	0351 177	1371	1969	40MAX

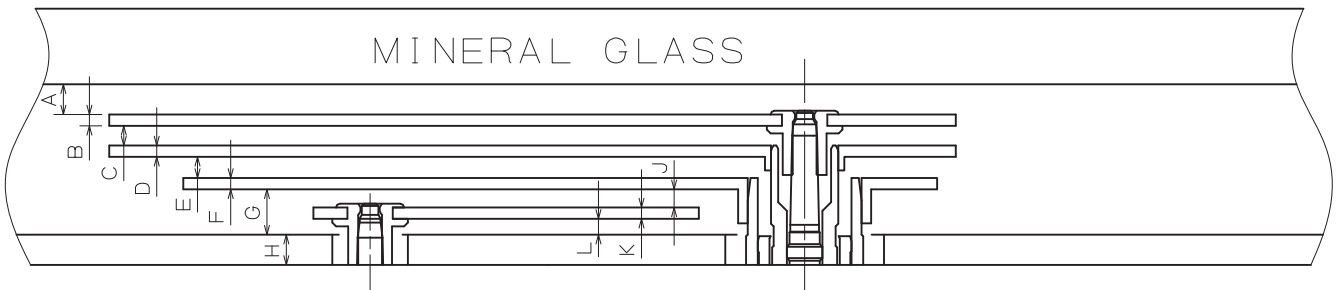
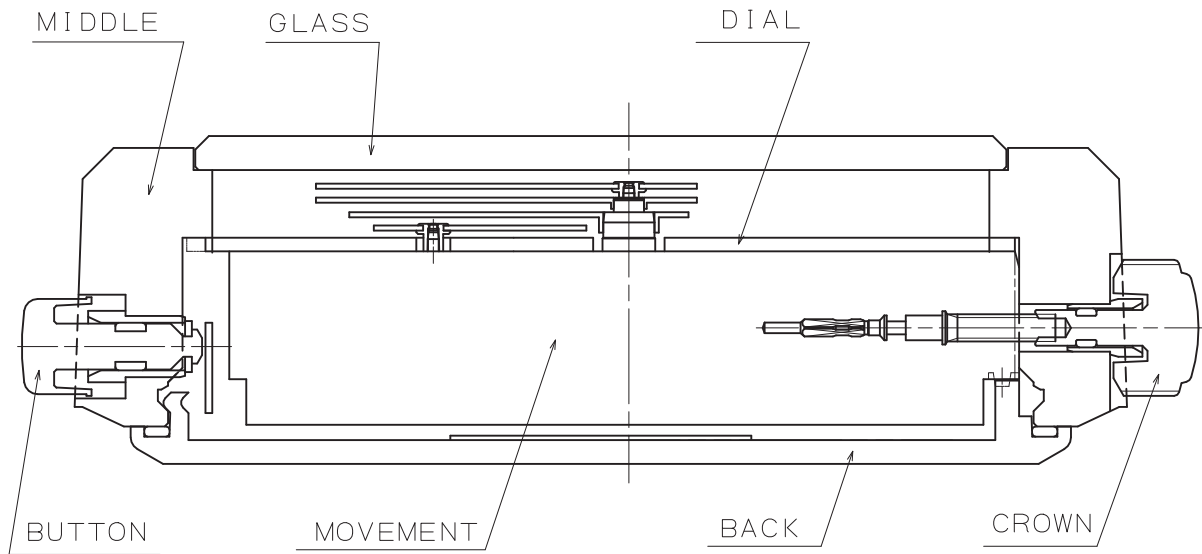


The tolerance of 2# hole position should be under 5 (Standard is 42#-43#)



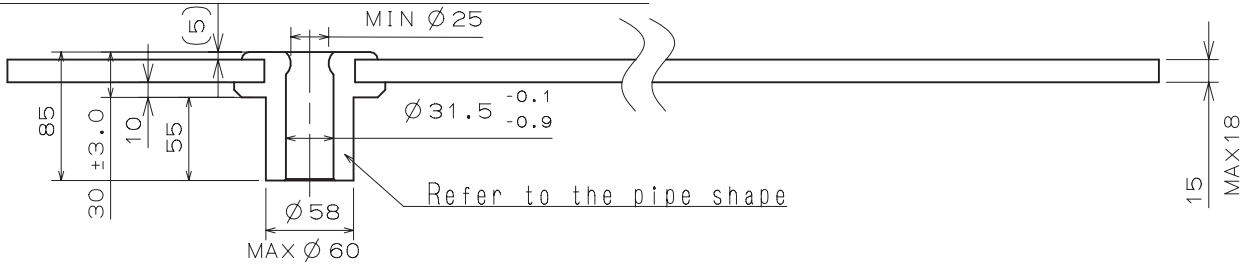
*Acrylic Glass 50
 *Mineral Glass 40
 *

	TYPE L	TYPE LL
A	265	310
B	611	656
C	40	85
D	457	506
E	595	640
F	320	365

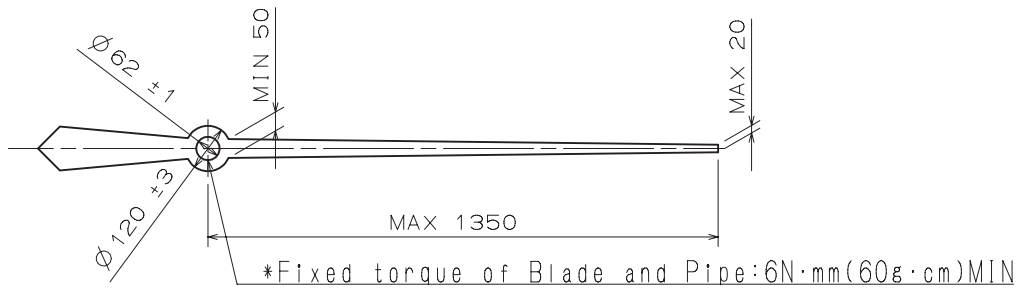


	TYPE L	TYPE LL
A	40	40
B	15	15
C	30	30
D	15	15
E	35	35
F	15	15
G	80	80
H	40	85
J	44	40
K	15	15
L	21	25

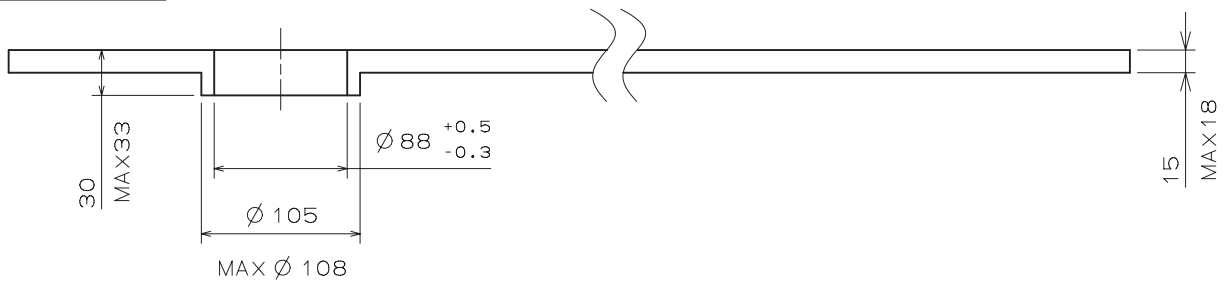
CHRONOGRAPH 1/5 SECOND



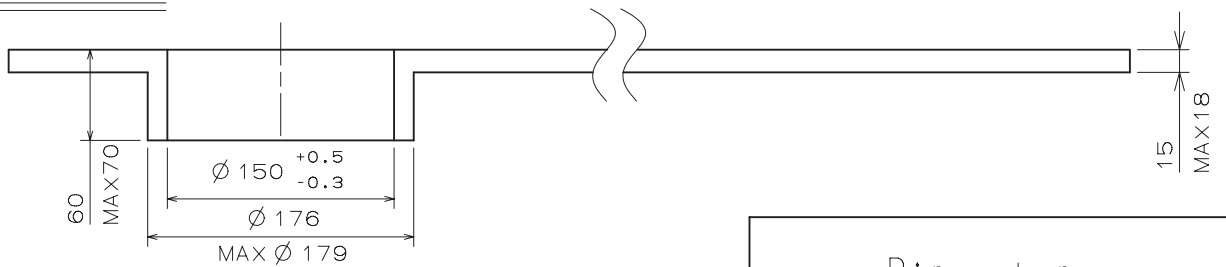
Recommended shape (Straight hand)



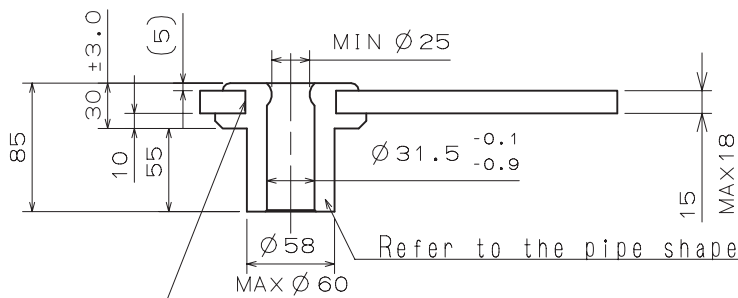
MINUTE



HOUR



SECOND
 CHRONOGRAPH MINUTE
 CHRONOGRAPH HOUR



*Fixed torque of Blade and Pipe: 6N·mm (60g·cm) MIN

