

Watch Movement Specification and Drawing

Slim / Small Movement

VJ52B



Movement Size: **12½"**
 Diameter: **Φ28.60mm**
 Height: **2.71mm**

Items	Ver.	Items	Ver.
Specification	1		
Appearance - 1	1		
Appearance - 2	1		
Casing	1		
Hand Fitting	1		
Hand Setting Stem	1		
Dial - 1	1		
Dial - 2	1		
Dial - 3	1		
Dial - 4	1		
Casing Ring	1		
Assembly Plan	1		
Hands	1		

CAL.VJ52B 12½ Ligne Quartz Movement

Three Hands with Date

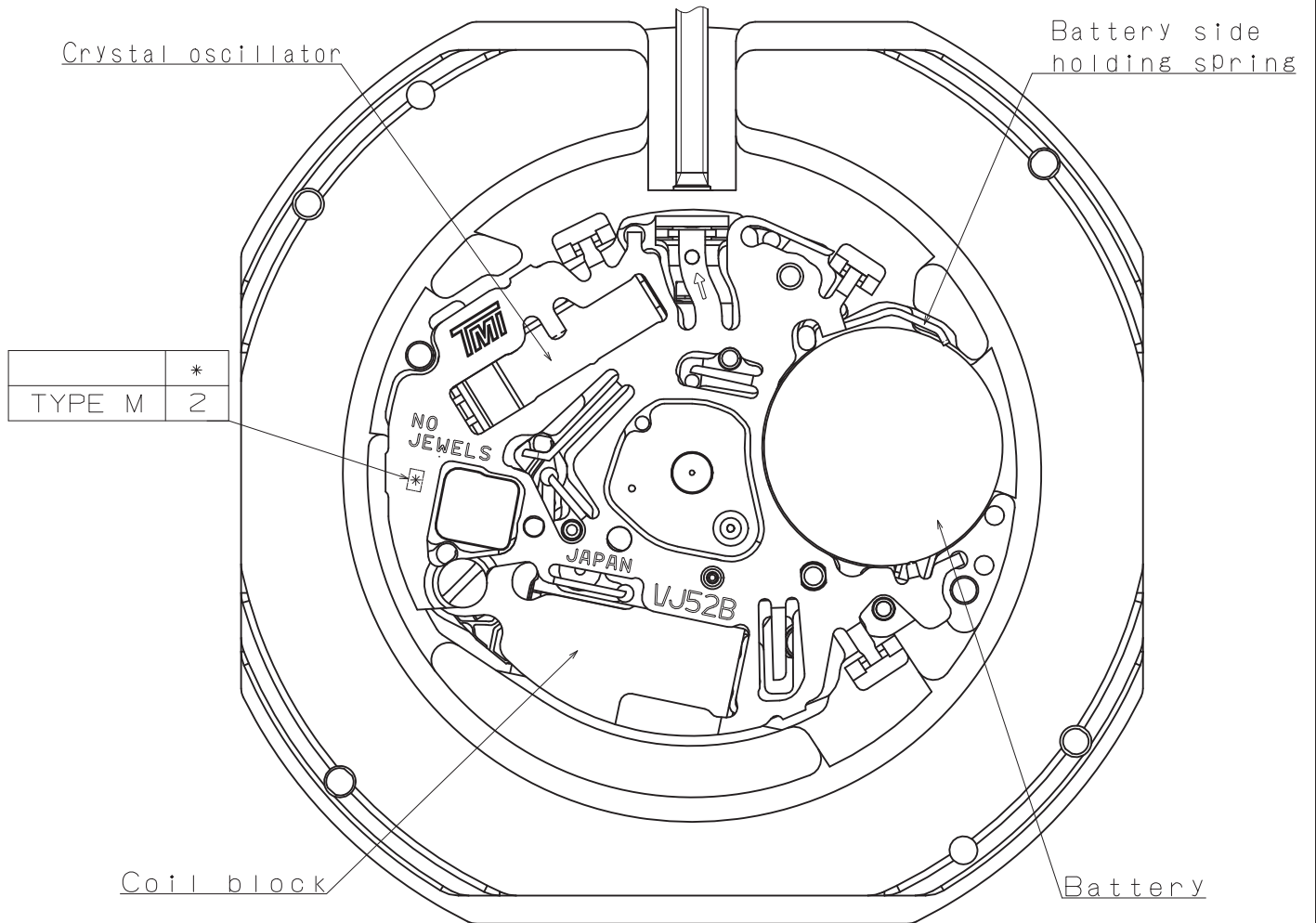
1. FUNCTION

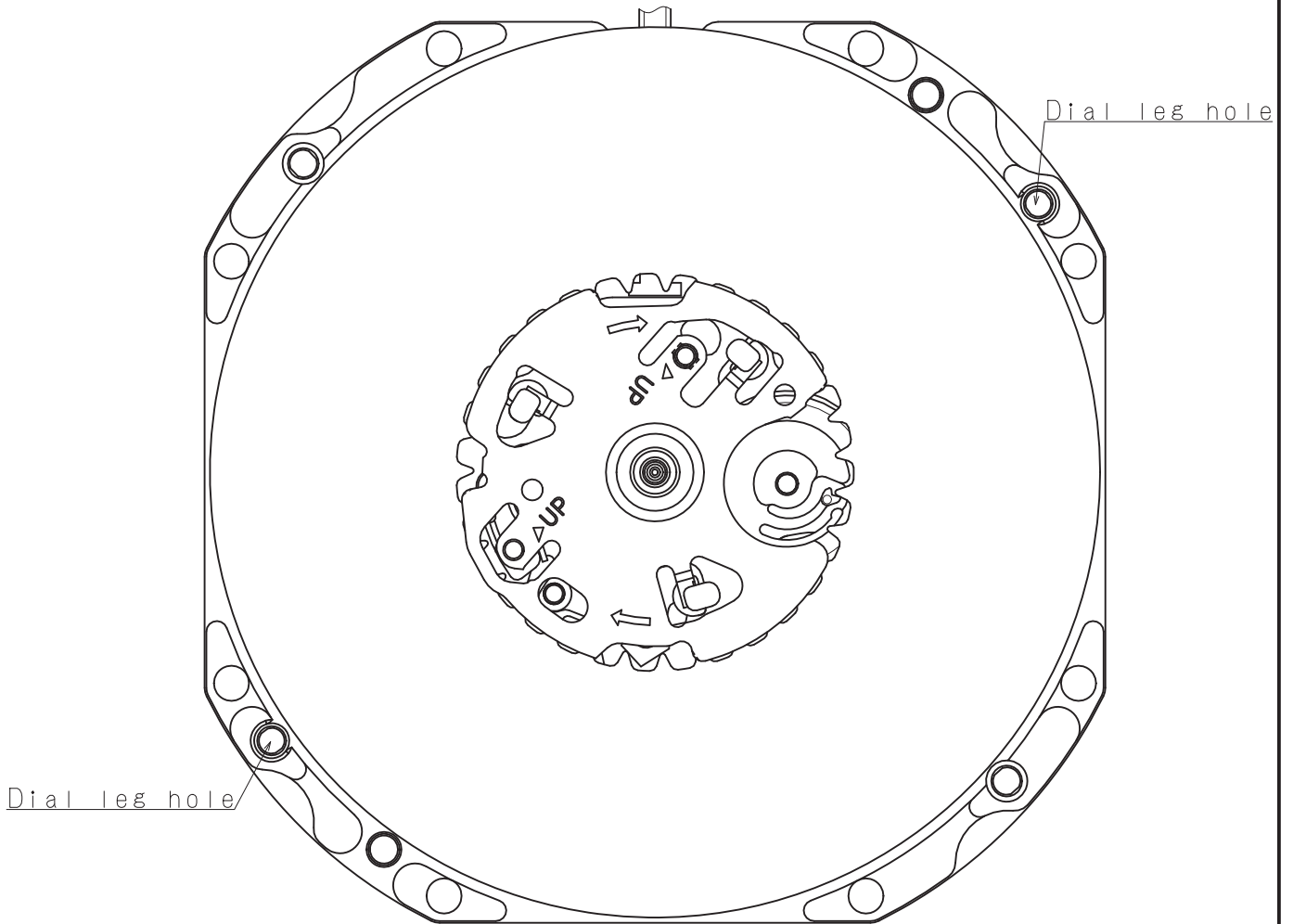
- Jewel 0 jewel
- Accuracy Less than ± 20 seconds / month (Normal temperature range)
- Battery life Approx. 3 years
- Regulation hands unbalance
 - Hour hand : Less than $0.30 \mu\text{N}\cdot\text{m}$ (30 mg·mm)
 - Minute hand : Less than $0.30 \mu\text{N}\cdot\text{m}$ (30 mg·mm)
 - Second hand : Less than $0.07 \mu\text{N}\cdot\text{m}$ (7 mg·mm)
- Additional function Date display with quick date correction

2. USE AND TEST CONDITION

- Battery SR621SW (Recommended battery is SEIZAIKEN)
- Operation temperature range From $-5\text{ }^{\circ}\text{C}$ to $+50\text{ }^{\circ}\text{C}$
- Antimagnetic $\geq 1600 \text{ A / m}$ (Direct current magnetic field)
- Test of accuracy 10 seconds (Duration of measurement)

*** All specifications are subject to change without notice.**





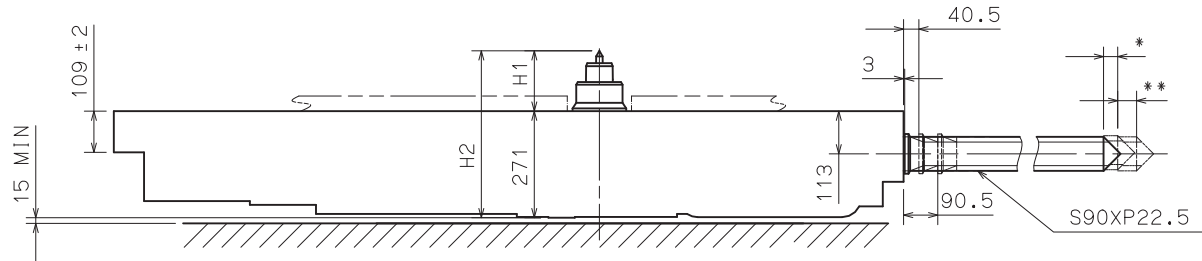
Casing

VJ52B

Battery Side holding Spring Type.

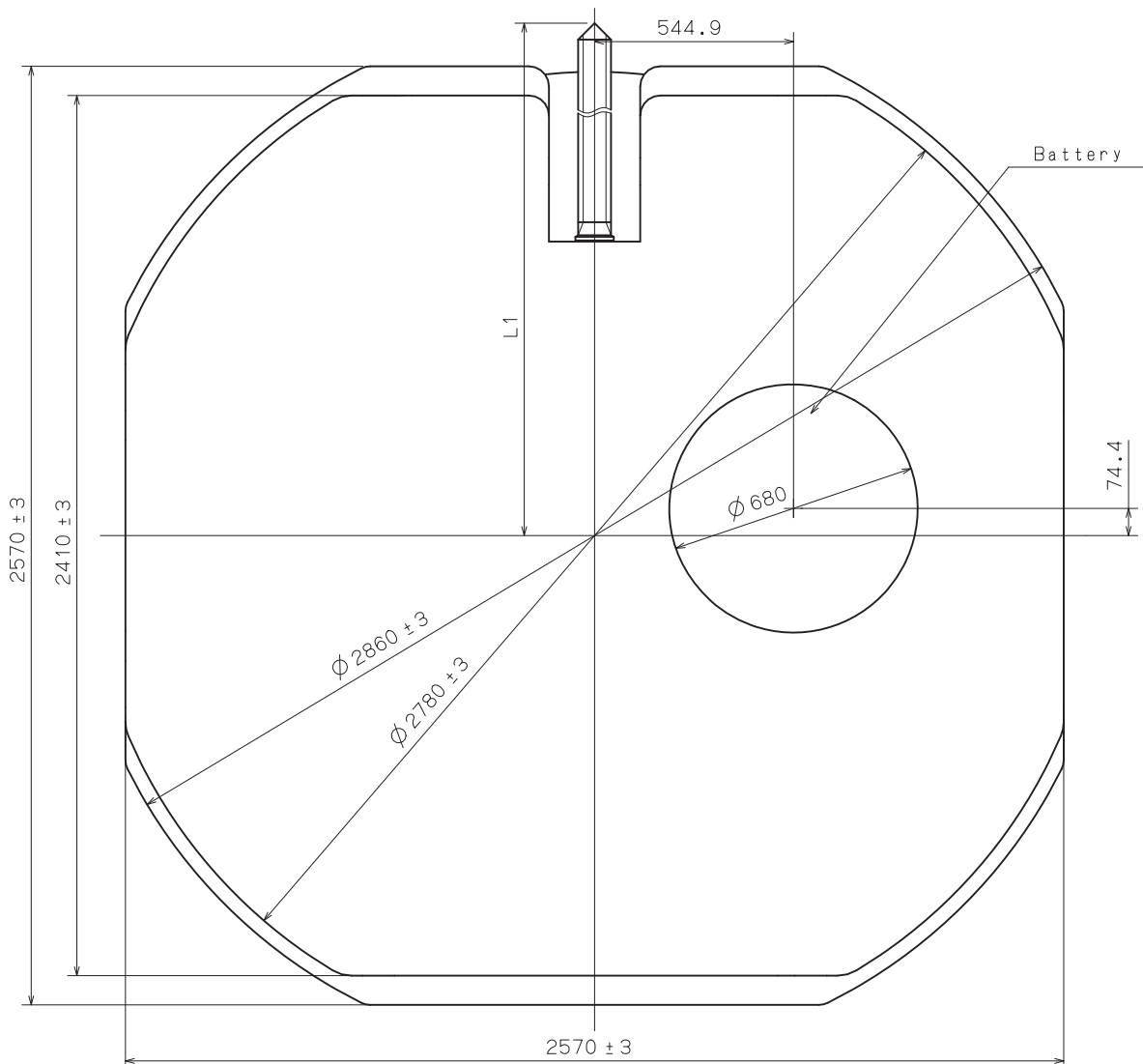
* First Pull out Stroke 37.5

** Second Pull out Stroke 50



Center post 中心柱位		TYPE M 一般針高
Maximum height from main plate surface 與機芯平面的最大高度	H1	159.7
Total height incl. movement 機芯總高度	H2	430.7

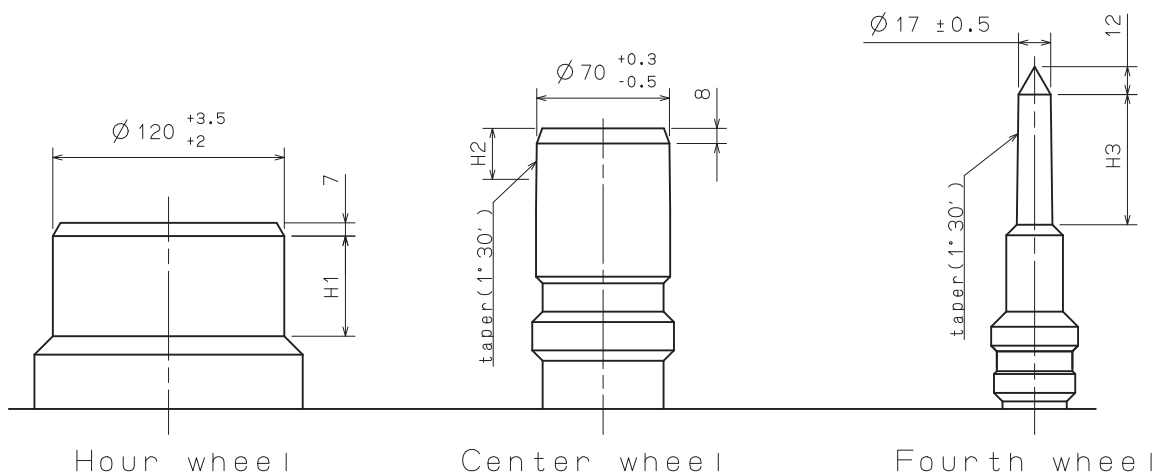
Hand Setting Stem	TYPE A
L1	2413



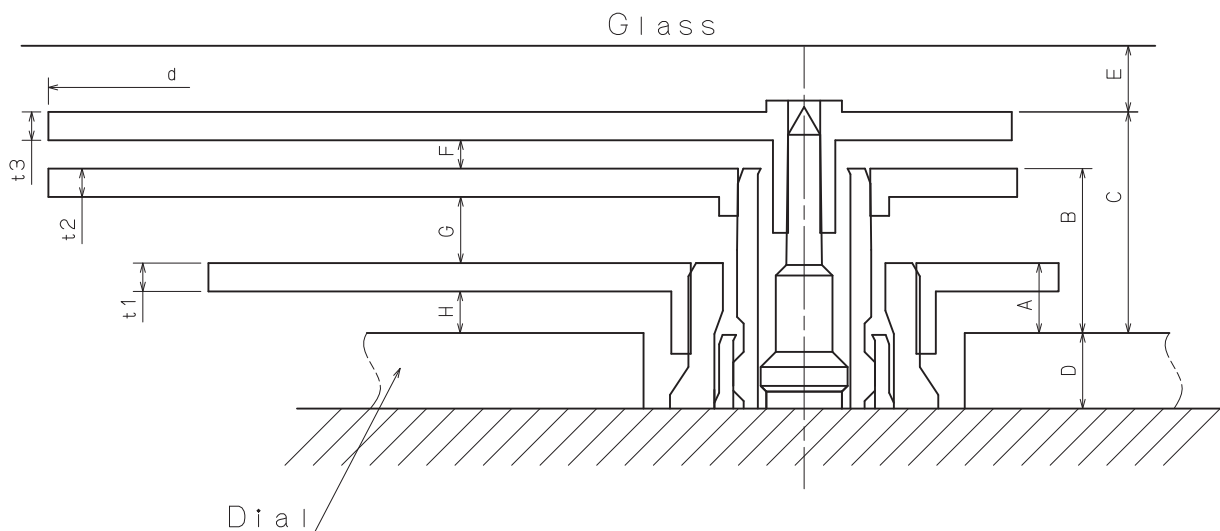
Unit : 1=1/100mm

Version : 1

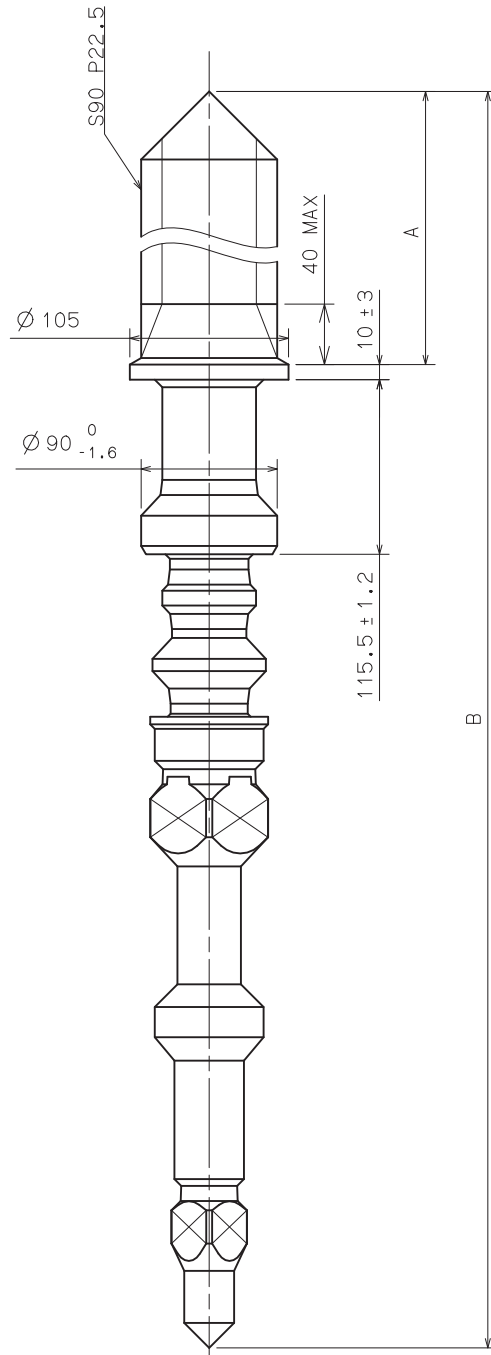
Hour hand unbalance $\leq 0.3 \mu\text{N}\cdot\text{m}$ (30mg·mm)
 Minute hand unbalance $\leq 0.3 \mu\text{N}\cdot\text{m}$ (30mg·mm)
 Second hand unbalance $\leq 0.07 \mu\text{N}\cdot\text{m}$ (7mg·mm)



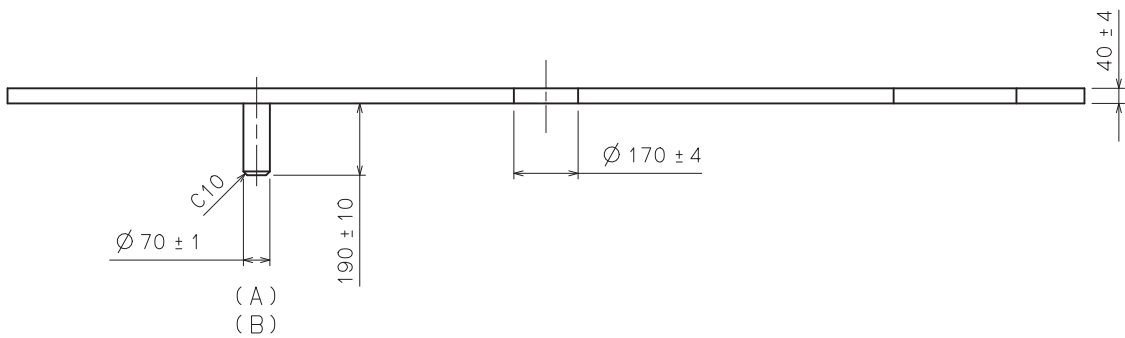
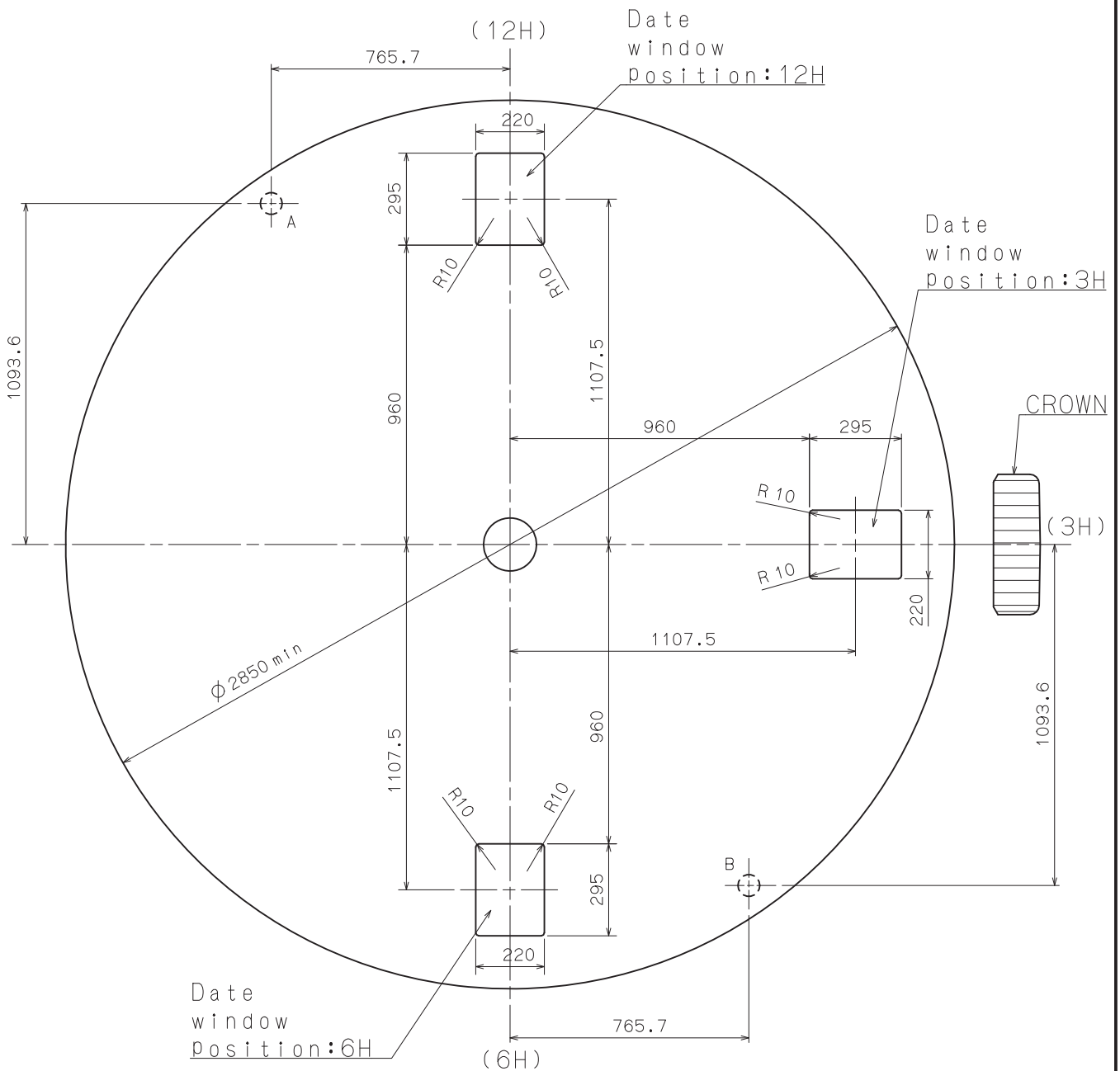
	Part No.			Dimension		
	Hour wheel 時針輪	Center wheel 分針輪	Fourth wheel 秒針輪	H1	H2	H3
TYPE M 一般針高	0273 021	0221 065	0144 105	48	27	69

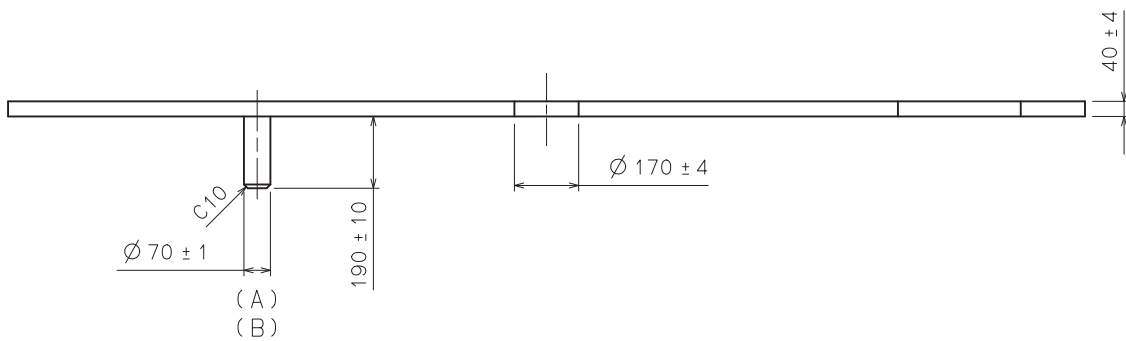
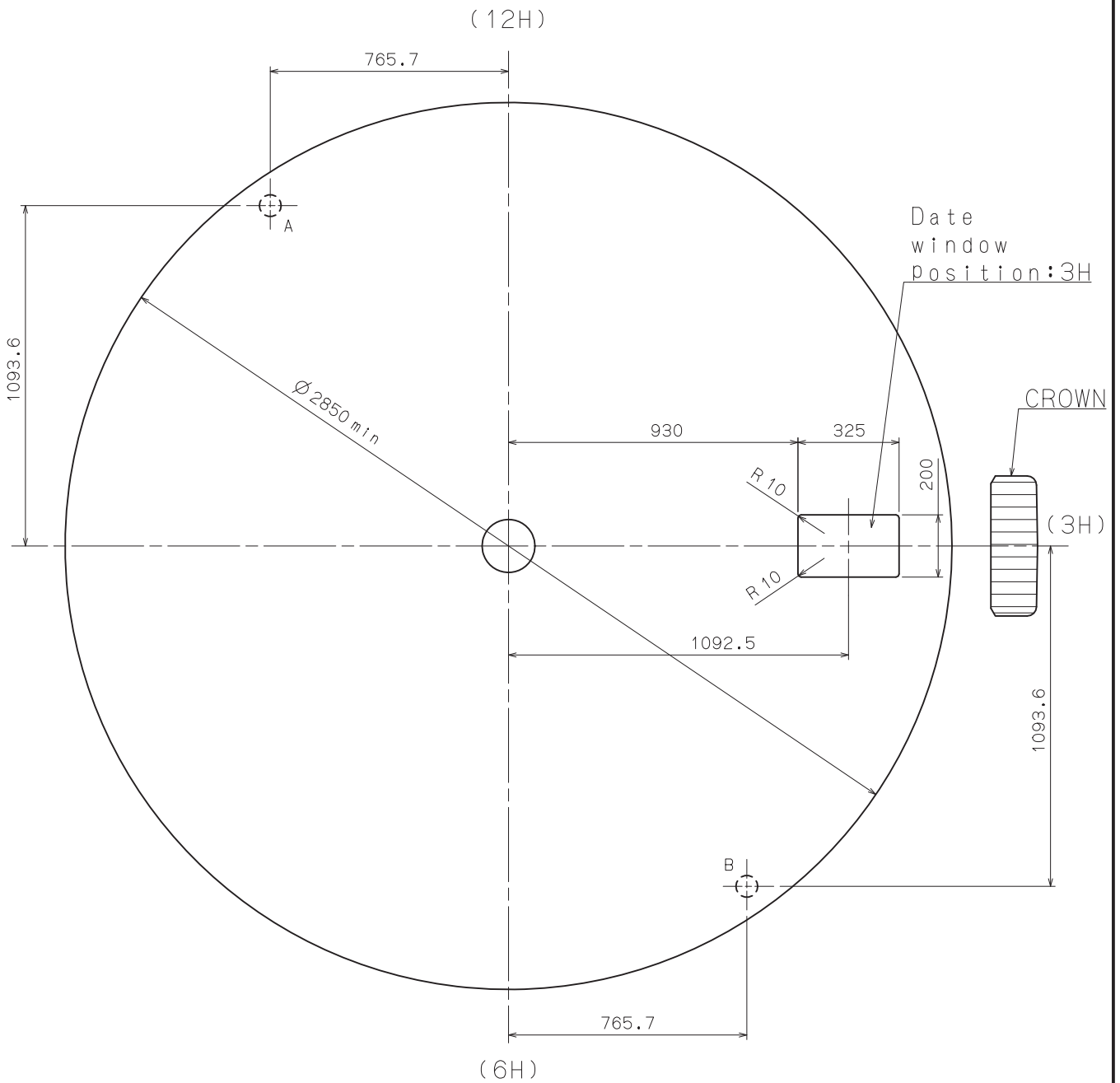


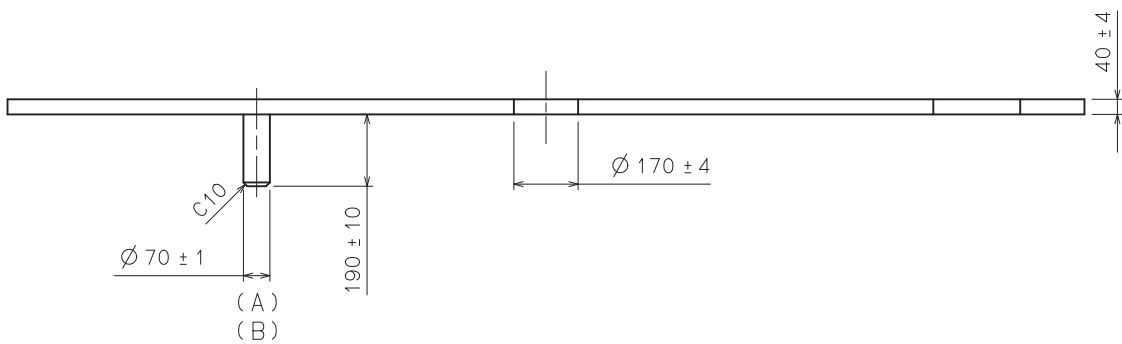
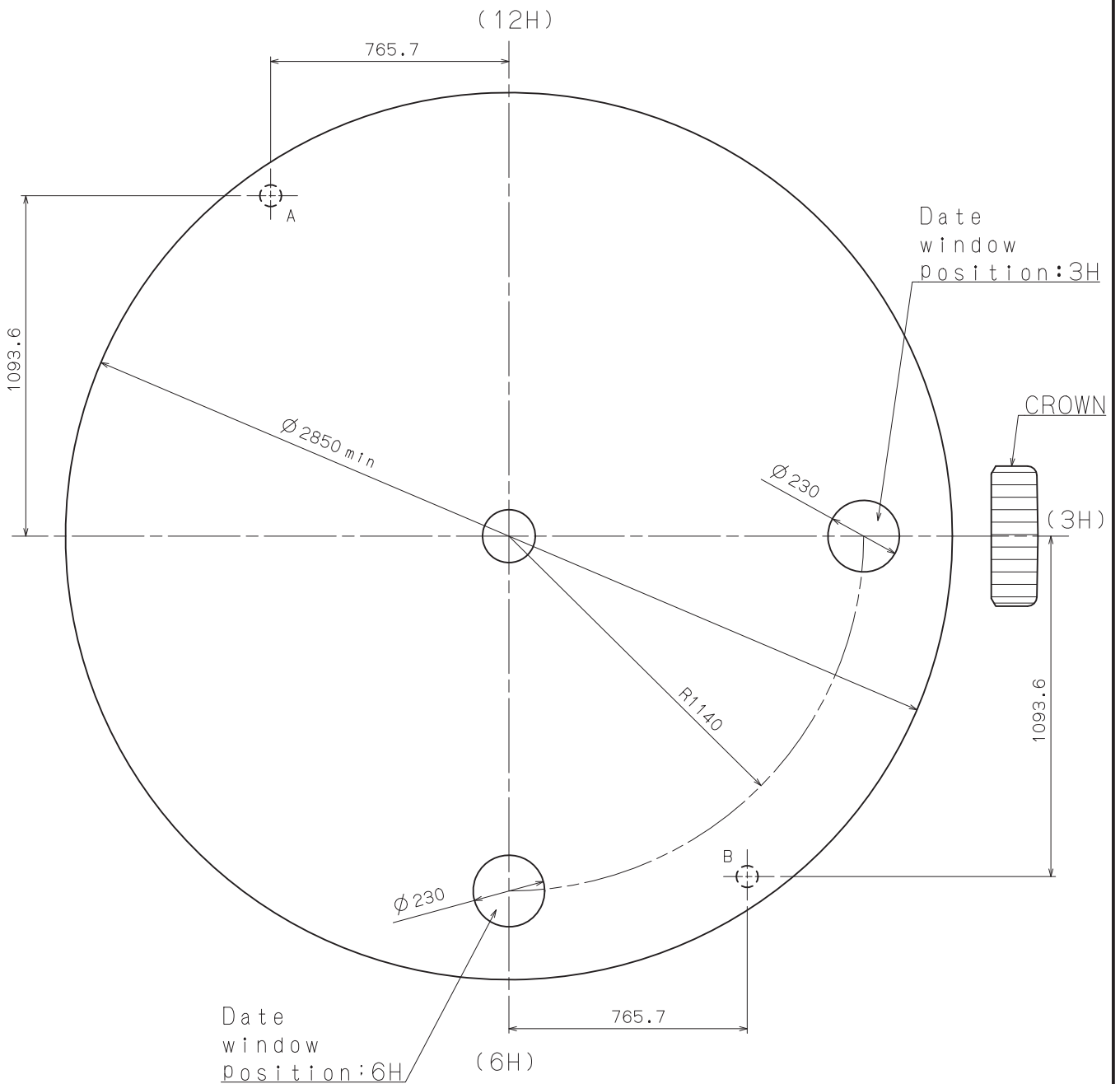
	A	B	C	D	E	F	G	H	t1	t2	t3	d
TYPE M 一般針高	37	87	117	40	35	15	35	22	15	15	15	$\phi 2500$



	Part No.	A	B
TYPE A	0351 001	1595	2245.5

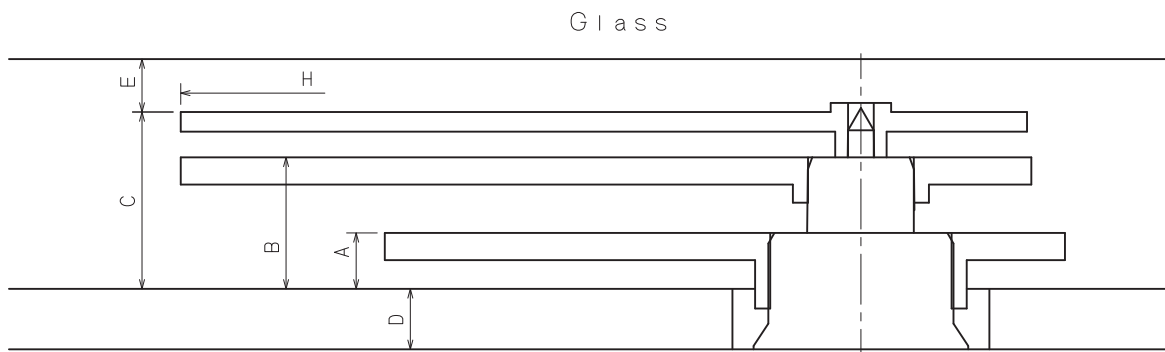
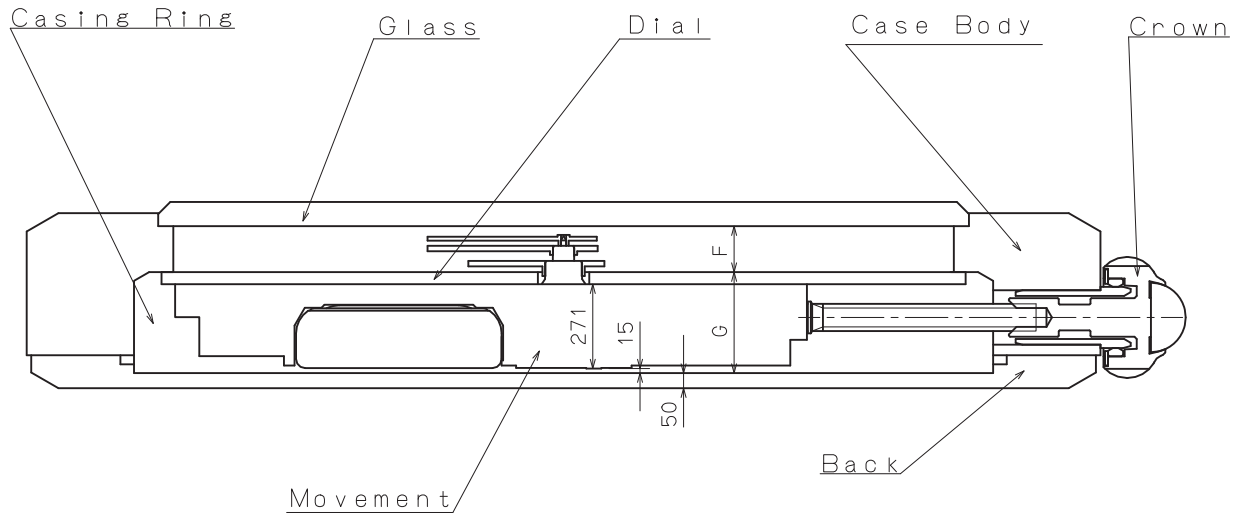






Assembly Plan

VJ52B

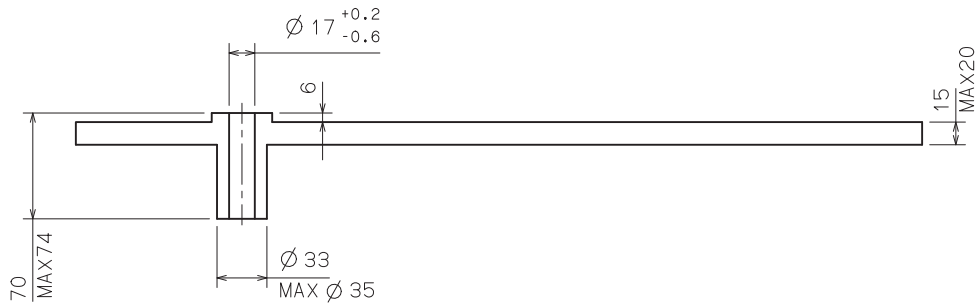


	A	B	C	D	E	F	G	H
TYPE M	37	87	117	40	35	152	326	∅ 2500

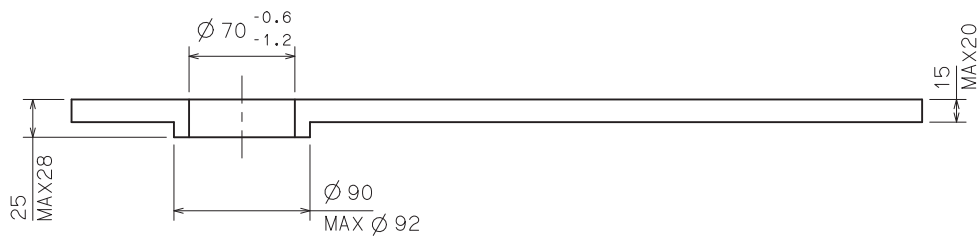
Unit : 1=1/100mm

Version : 1

SECOND



MINUTE



HOUR

