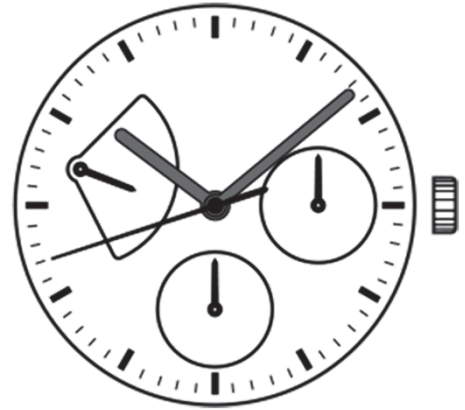


Watch Movement Specification and Drawing

Premium Mechanical Movement

NE20C



Movement Size: **12'''**
 Diameter: **Φ27.40mm**
 Height: **6.15mm**

Items	Ver.	Items	Ver.
Specification	1		
Appearance	1		
Casing	1		
Hand Fitting	1		
Hand Setting Stem	1		
Dial	1		
Casing Ring	1		
Assembly Plan	1		
Hands	1		
Casing Clamp	1		

CAL.NE20C 12 Ligne Mechanical Movement

Three Hands with 3 Eyes Small Date, Day & Power Reserve Hands

1. FUNCTION

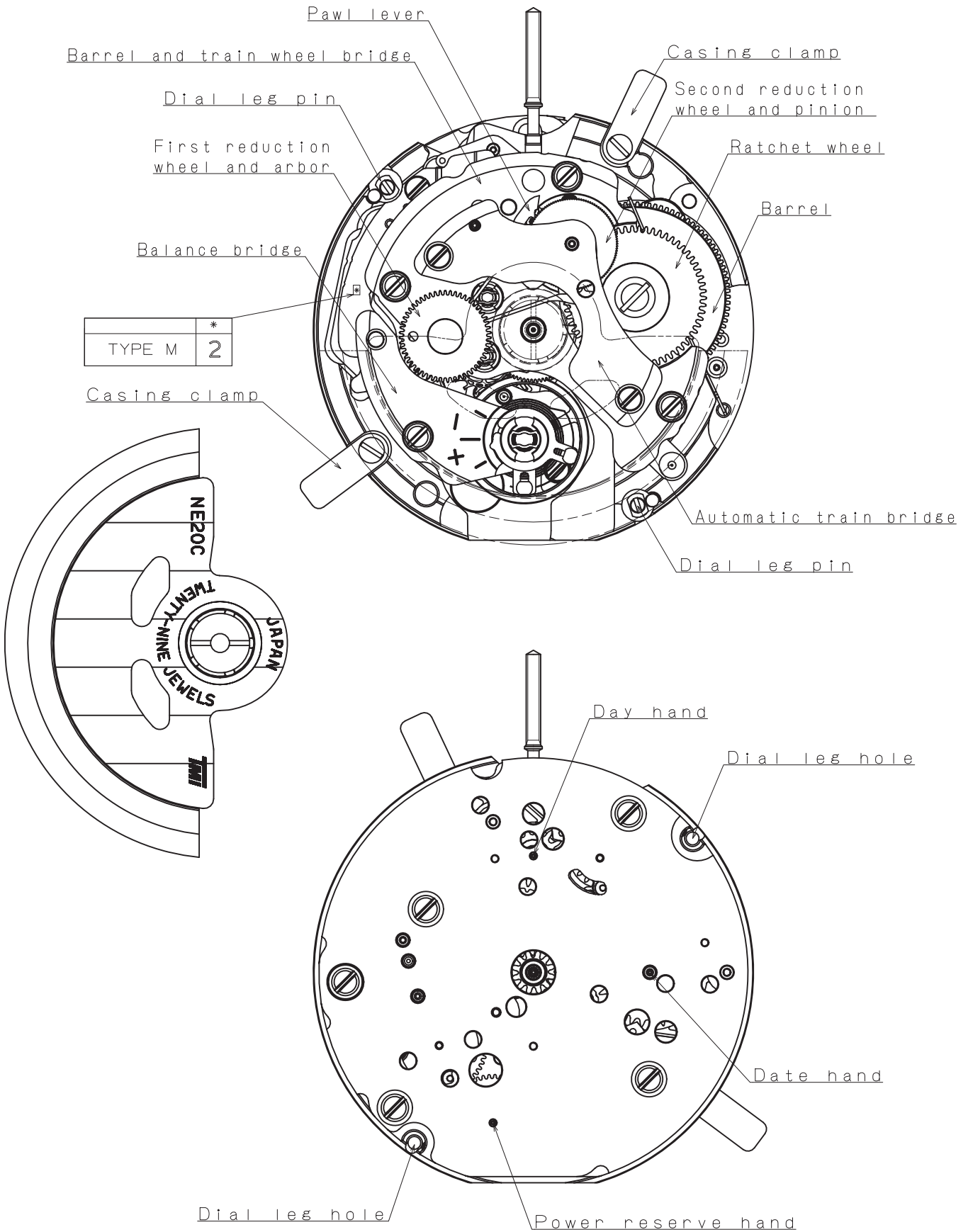
- Jewel 29 jewels
- Accuracy -15 ~ +25 seconds / day (23 ± 2 °C)
- Regulation hands unbalance
 - Hour hand : Less than $1.50 \mu\text{N}\cdot\text{m}$ (150 mg·mm)
 - Minute hand : Less than $1.25 \mu\text{N}\cdot\text{m}$ (125 mg·mm)
 - Second hand : Less than $0.60 \mu\text{N}\cdot\text{m}$ (60 mg·mm)
 - Small date, day & power reserve hands : Less than $0.10 \mu\text{N}\cdot\text{m}$ (10 mg·mm)

- Additional function
 - Manual winding
 - Automatic winding with ball bearing
 - Both winding with one way clutch
 - Second hand stop mechanism
 - Date & Day display with quick date & day correction
 - Power reserve display

2. USE AND TEST CONDITION

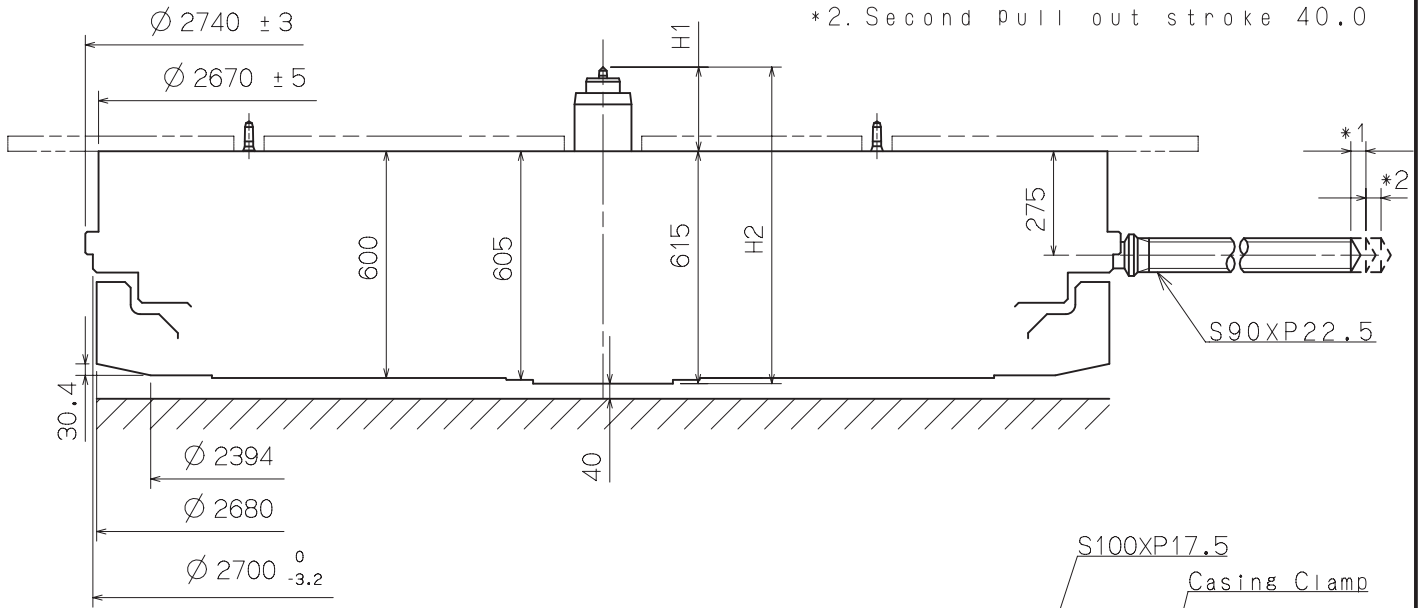
- Vibration frequency 28,800 vibrations per hour
- Duration time More than 45 hours
- Antimagnetic ≥ 4800 A / m (Direct current magnetic field)
- Test of accuracy 20 seconds (Duration of measurement)
- Casing Non-corresponding with Diver's watch

*** All specifications are subject to change without notice.**

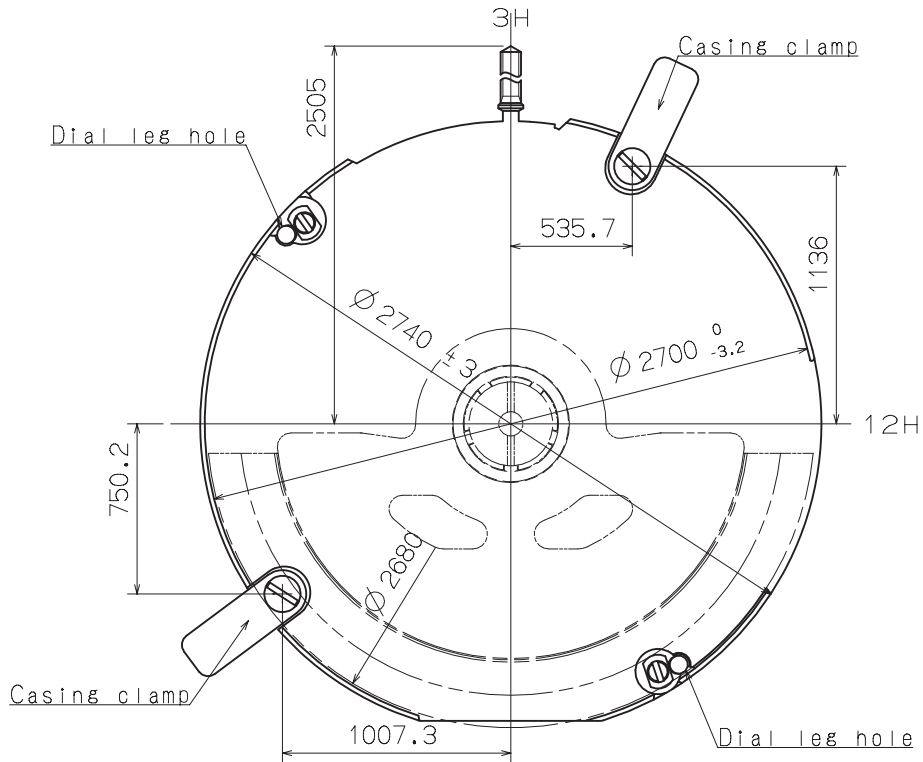
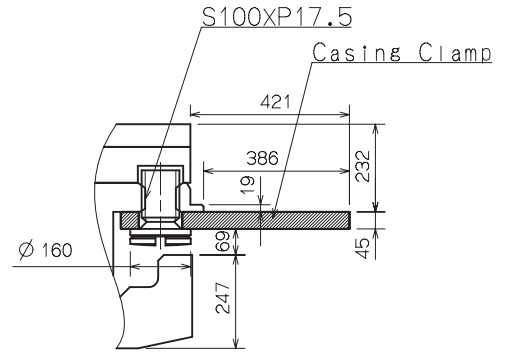


*1. First pull out stroke 39.9

*2. Second pull out stroke 40.0



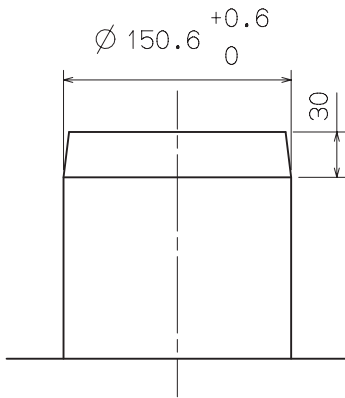
Center post 中心柱位		TYPE M 一般針高
Maximum height from main plate surface 與機芯平面的最大高度	H1	222.7
Total height incl. movement 機芯總高度	H2	837.7



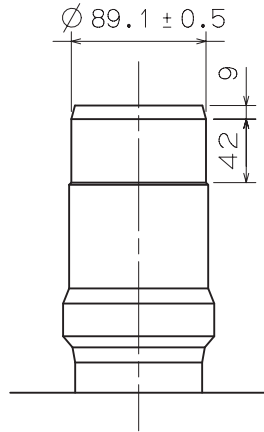
Hour hand unbalance $\leq 1.5\mu\text{N}\cdot\text{m}$ (150mg·mm)
 Minute hand unbalance $\leq 1.25\mu\text{N}\cdot\text{m}$ (125mg·mm)
 Second hand unbalance $\leq 0.6\mu\text{N}\cdot\text{m}$ (60mg·mm)

Date hand unbalance $\leq 0.1\mu\text{N}\cdot\text{m}$ (10mg·mm)
 Day hand unbalance $\leq 0.1\mu\text{N}\cdot\text{m}$ (10mg·mm)
 Power Reserve hand unbalance $\leq 0.1\mu\text{N}\cdot\text{m}$ (10mg·mm)

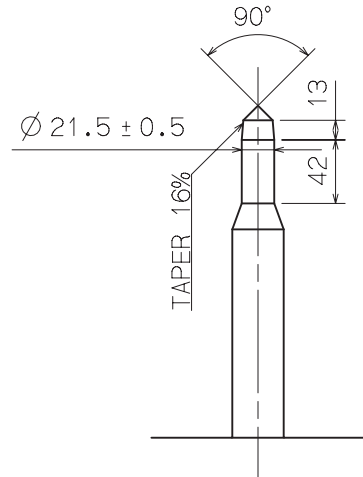
HOUR HAND FITTING
 Hour wheel 時針輪 : 0273 029



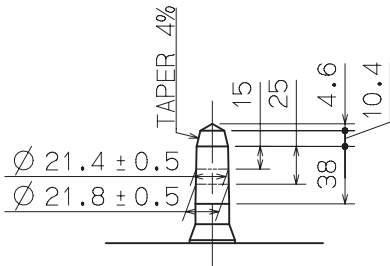
MINUTE HAND FITTING
 Cannon pinion 分針輪(十反) : 0225 432



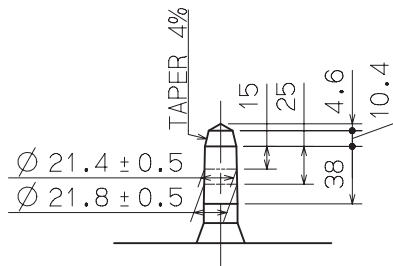
SECOND HAND FITTING
 Fourth wheel and pinion 秒針輪



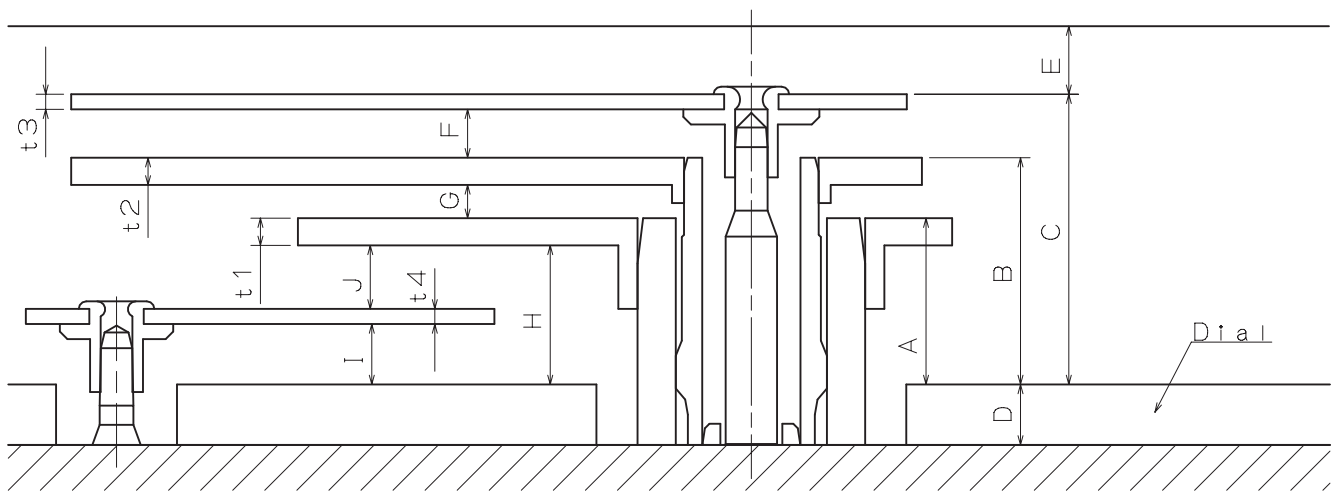
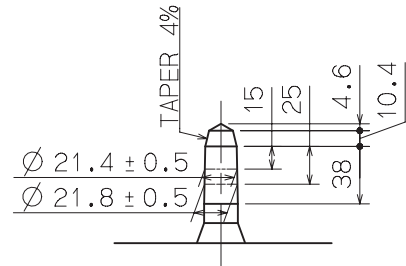
DATE HAND FITTING
 Date star 日曆針輪 : 0970 002



DAY HAND FITTING
 Day star 星期針輪 : 0970 002



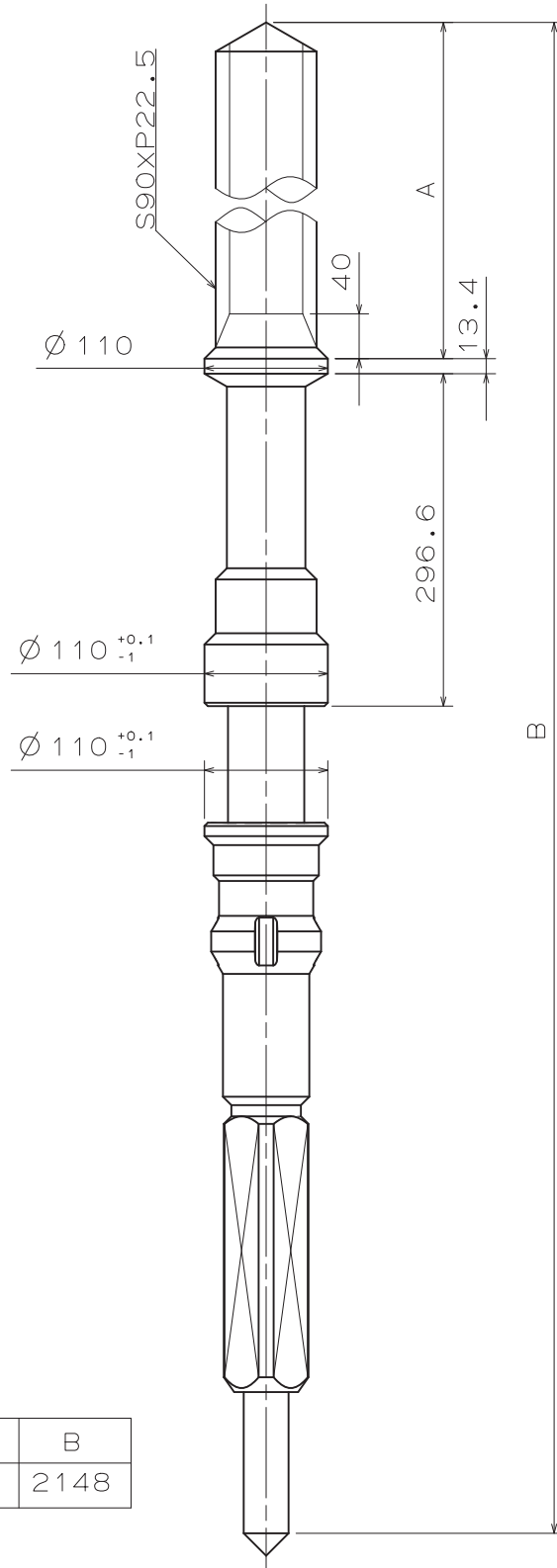
POWER RESERVE HAND FITTING
 Power reserve wheel 能量顯示針輪 : 1019 002



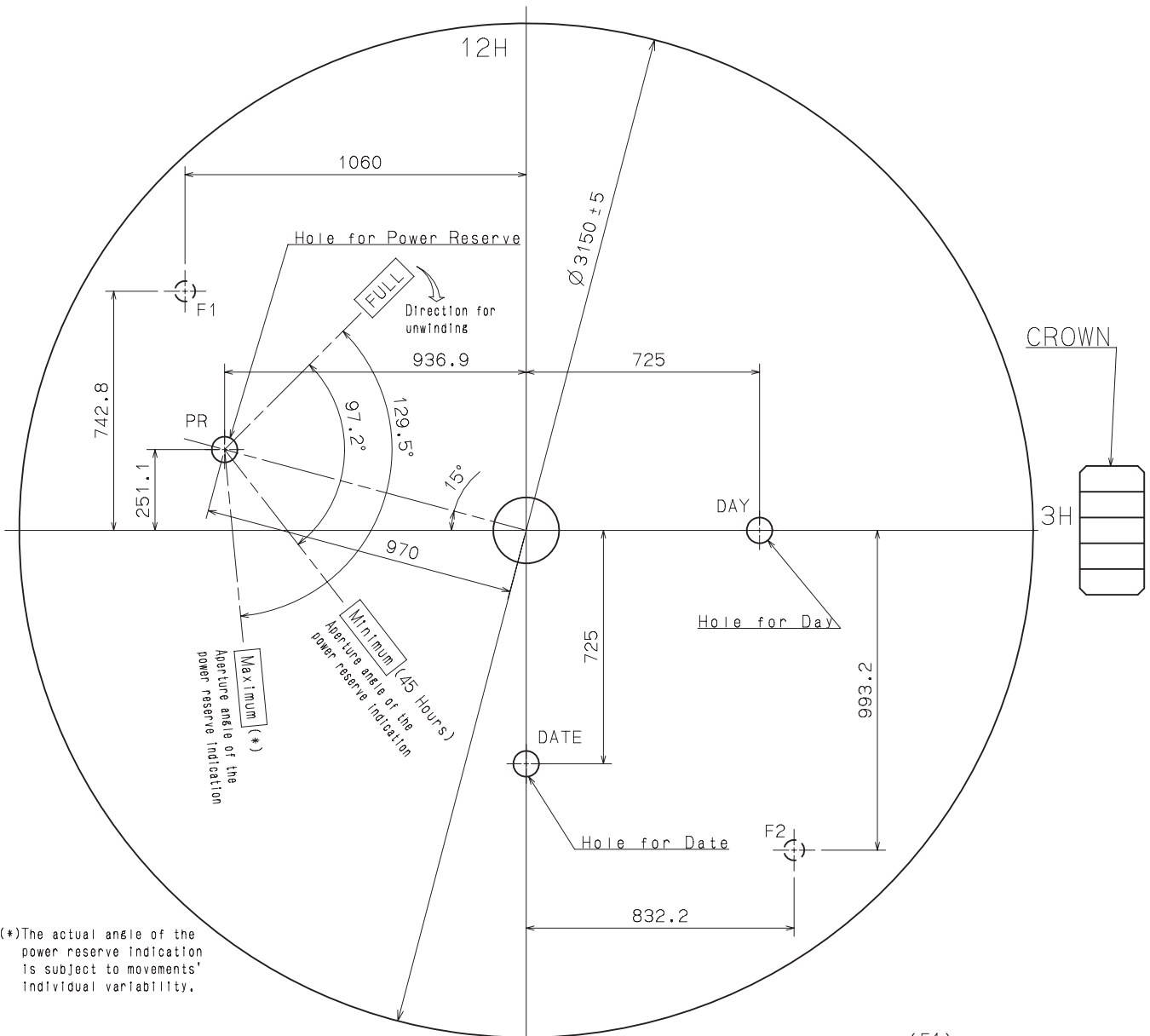
	A	B	C	D	E	F	G	H	I	J	t1	t2	t3	t4
TYPE M 一般針高	110	150	192	40	45	32	22	92	40	42	18	18	10	10

Unit : 1=1/100mm

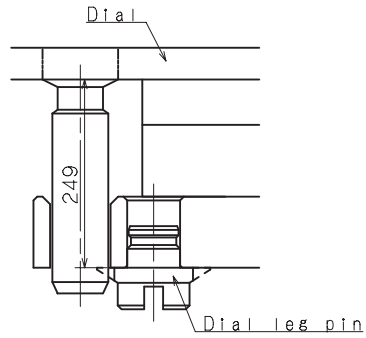
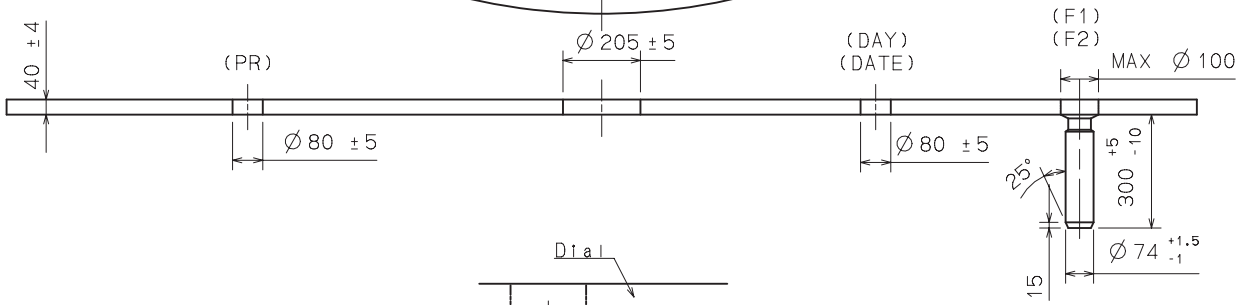
Version : 1



Part No.	A	B
0351 200	1100	2148



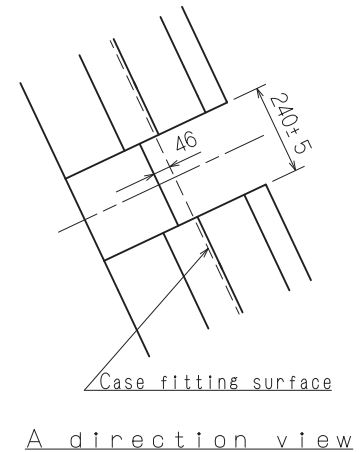
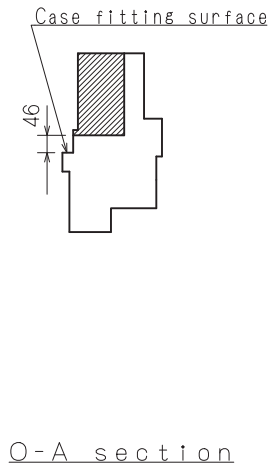
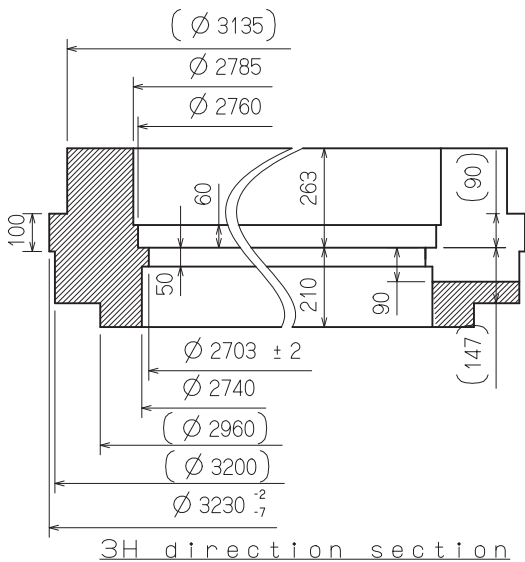
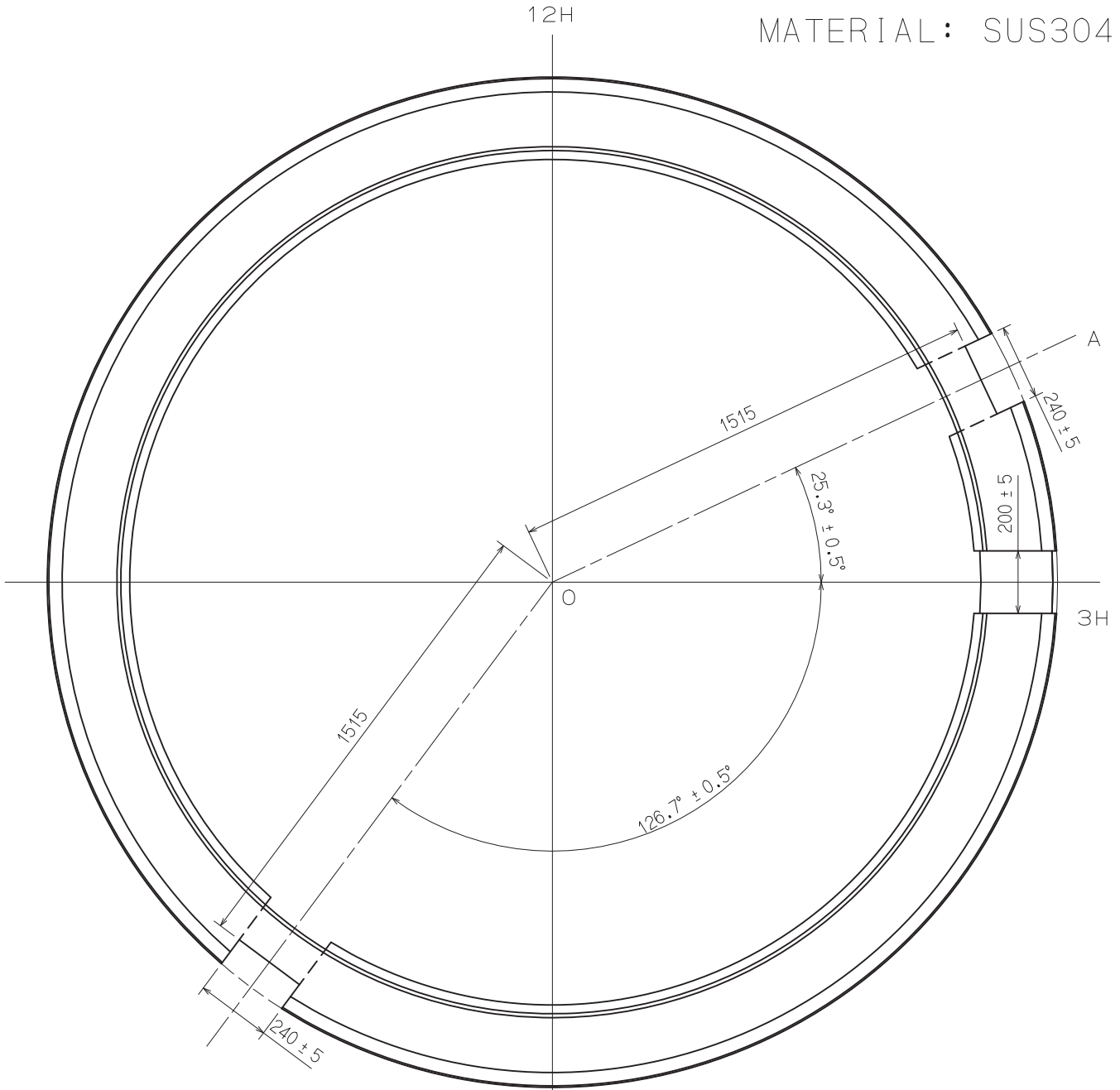
(*)The actual angle of the power reserve indication is subject to movements' individual variability.



Casing Ring

NE20C

MATERIAL: SUS304



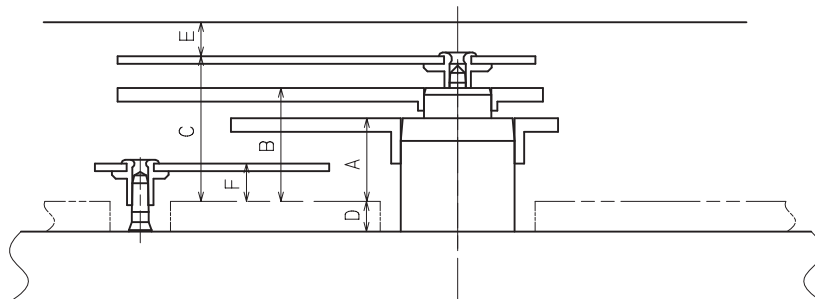
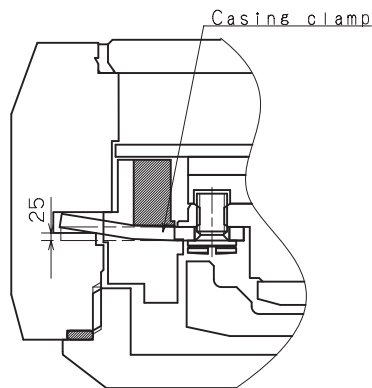
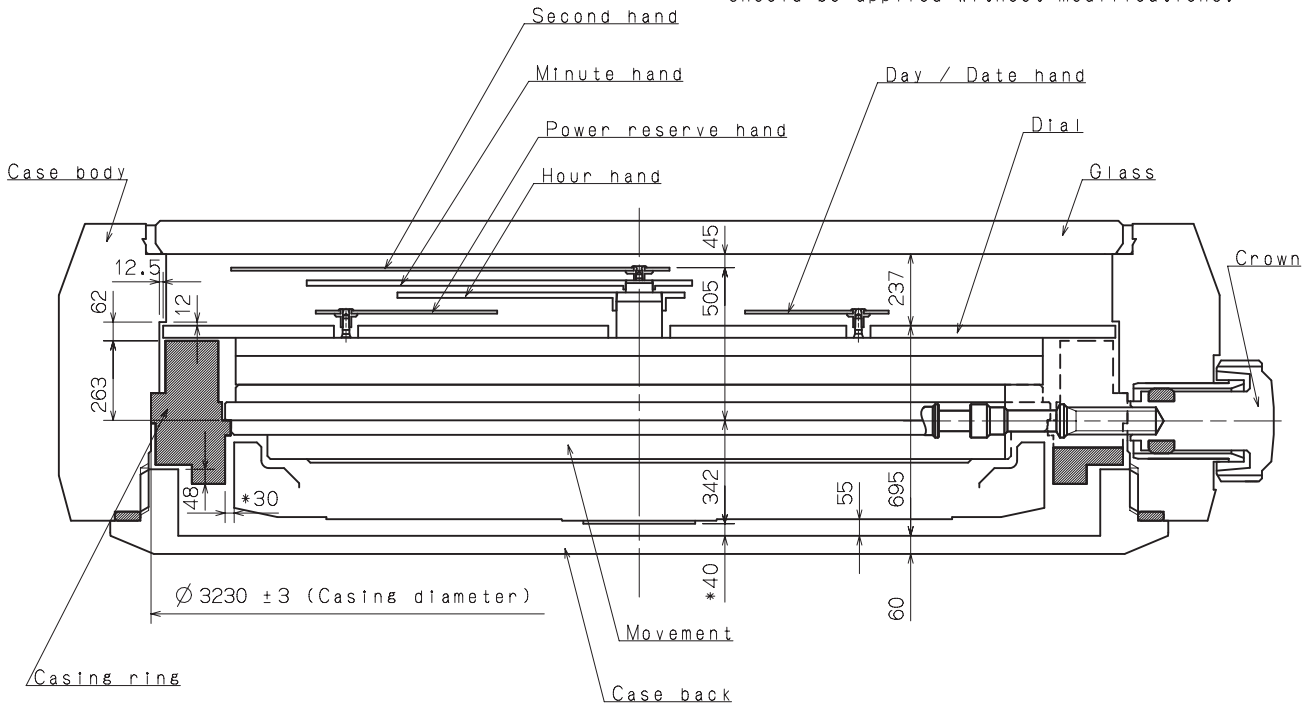
Unit : 1=1/100mm

Version : 1

Assembly Plan

NE20C

(Note for clearance *30 and *40)
It is STRONGLY RECOMMENDED that these clearances should be applied without modifications.

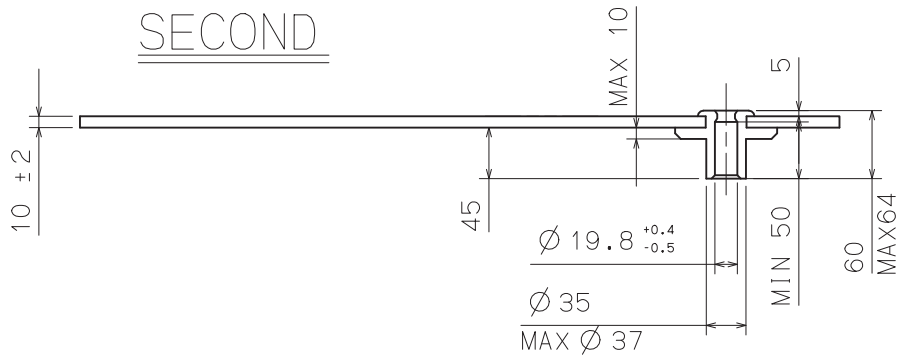


TYPE M	A	B	C	D	E	F
	110	150	192	40	45	50

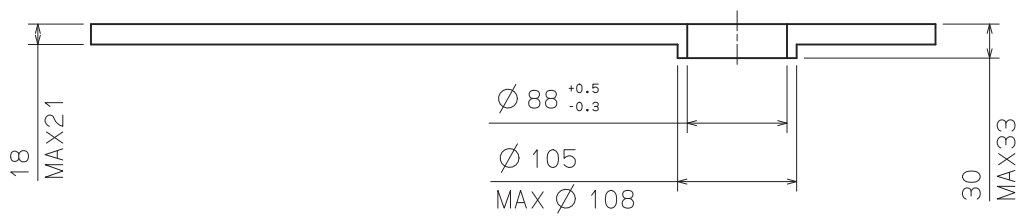
Unit : 1=1/100mm

Version : 1

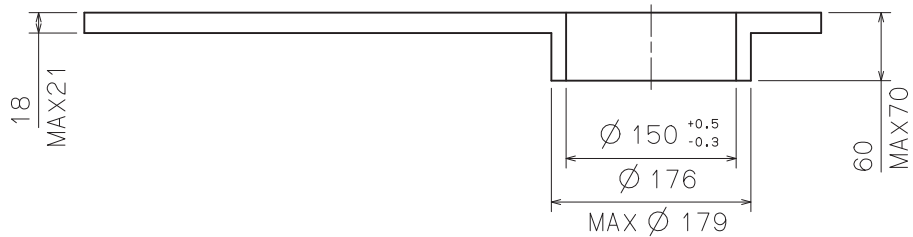
SECOND



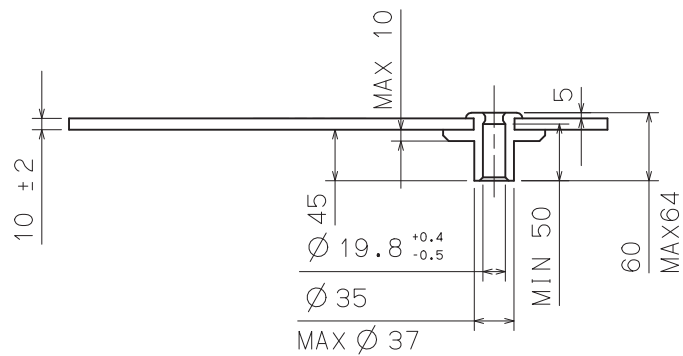
MINUTE



HOUR

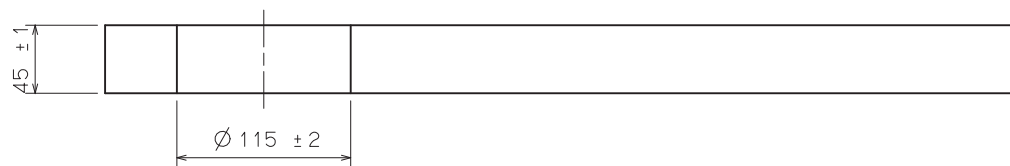
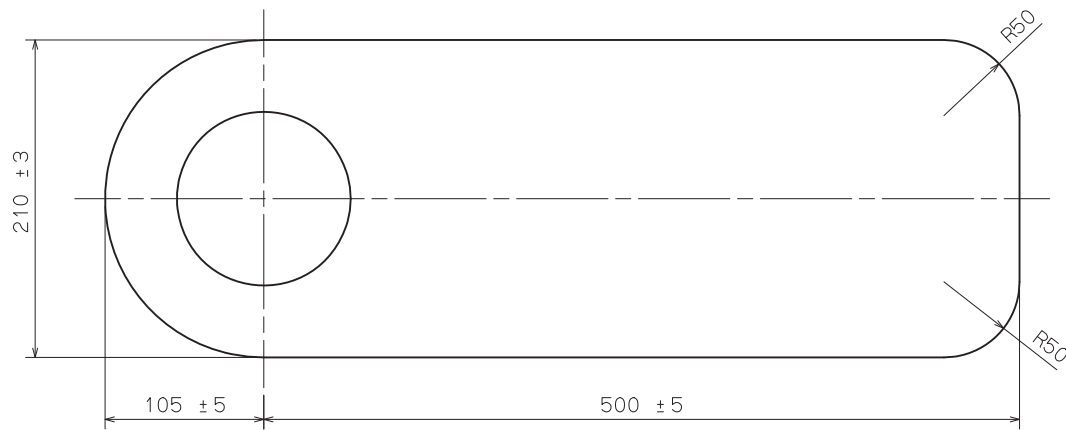


DAY/DATE/POWER RESERVE



Casing Clamp

NE20C



MATERIAL: SUS631-CSP3/4H
HARDNESS: Hv500±30

Unit : 1=1/100mm

Version : 1