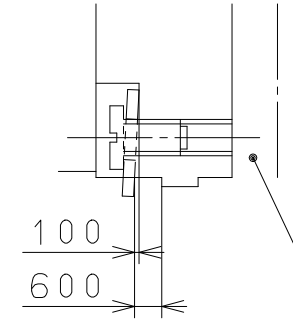
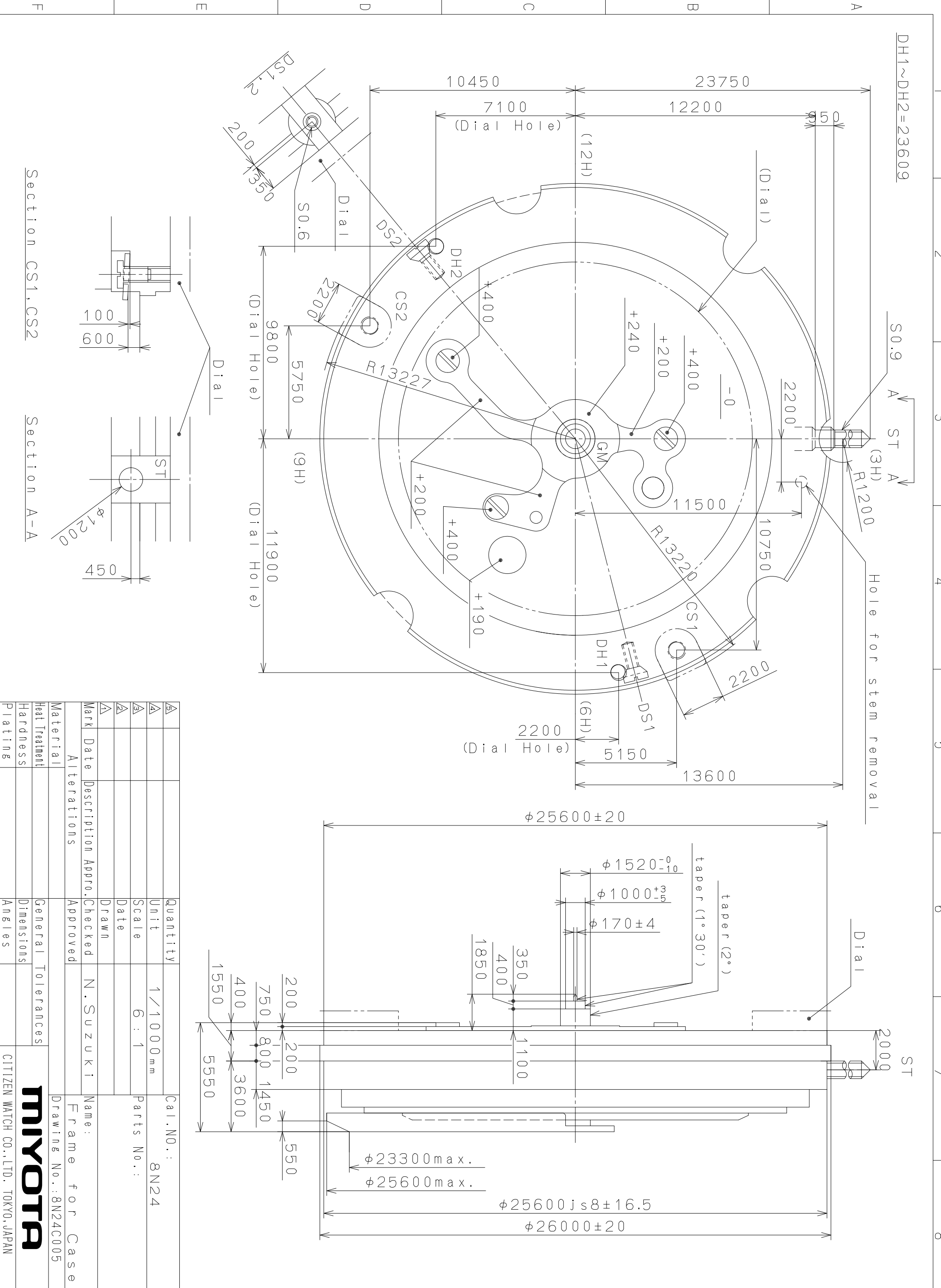
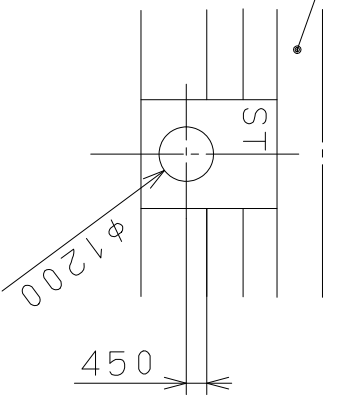


This drawing is provisional and subject to our reconfirmation and/or revision without notice.



Section CS1, CS2

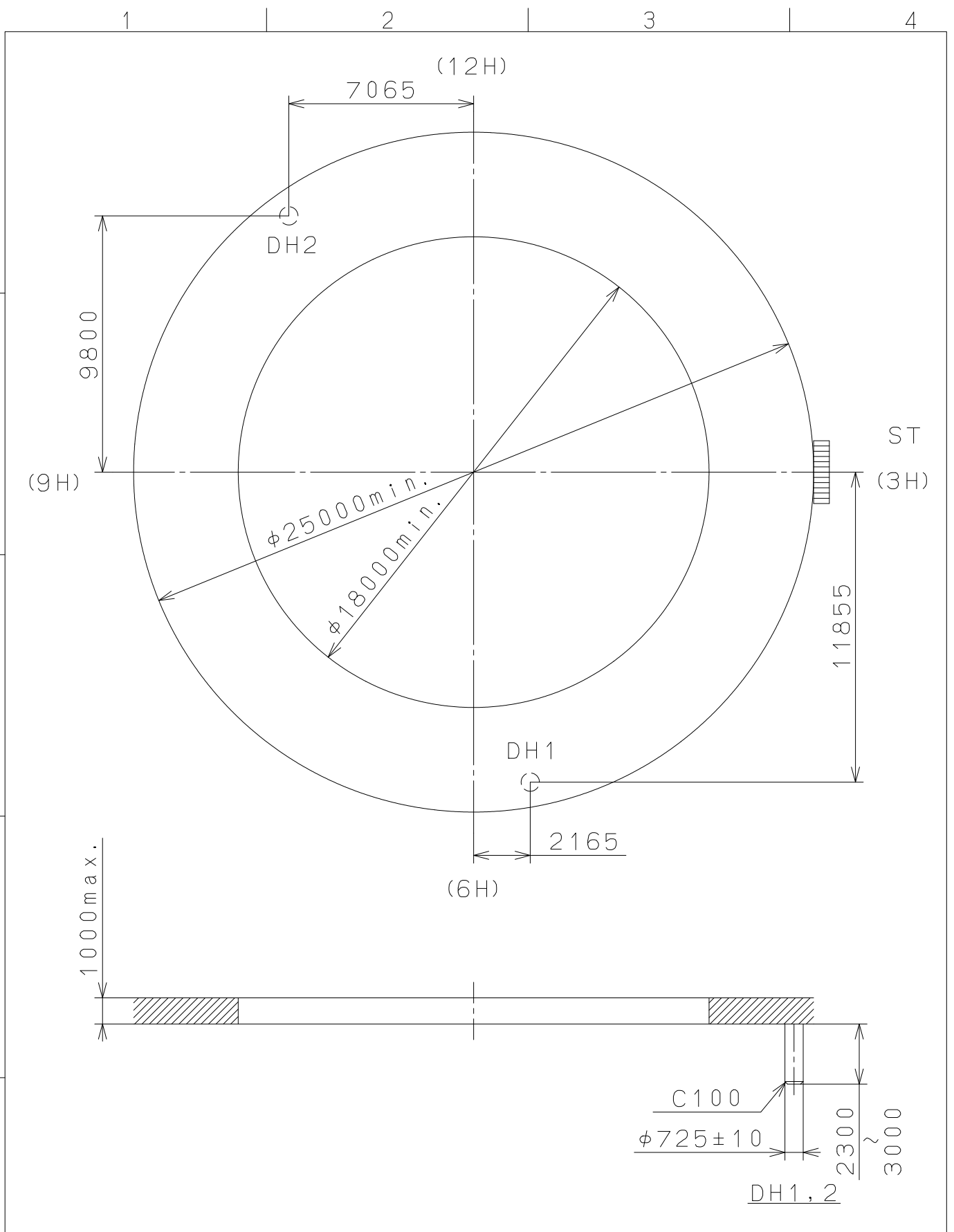


Section A-A

△5	Quantity		Cal. NO.:	
△4	Unit	1/1000 mm		8N24
△3	Scale	6:1	Parts No.:	
△2	Date			
△1	Drawn		Name:	N. Suzuki
Mark	Date	Description	Approved	
	Alterations			
	Material			
	Heat Treatment			
	Hardness			
	Plating			
	General Tolerances			
	Dimensions			
	Angles			
	CITIZEN WATCH CO., LTD. TOKYO, JAPAN			MIYOTA
	Drawing No.: 8N24C005			
	Frame for Case			

2008/09/02 (16:41:00)

This drawing is provisional and subject to our reconfirmation and/or revision without notice.



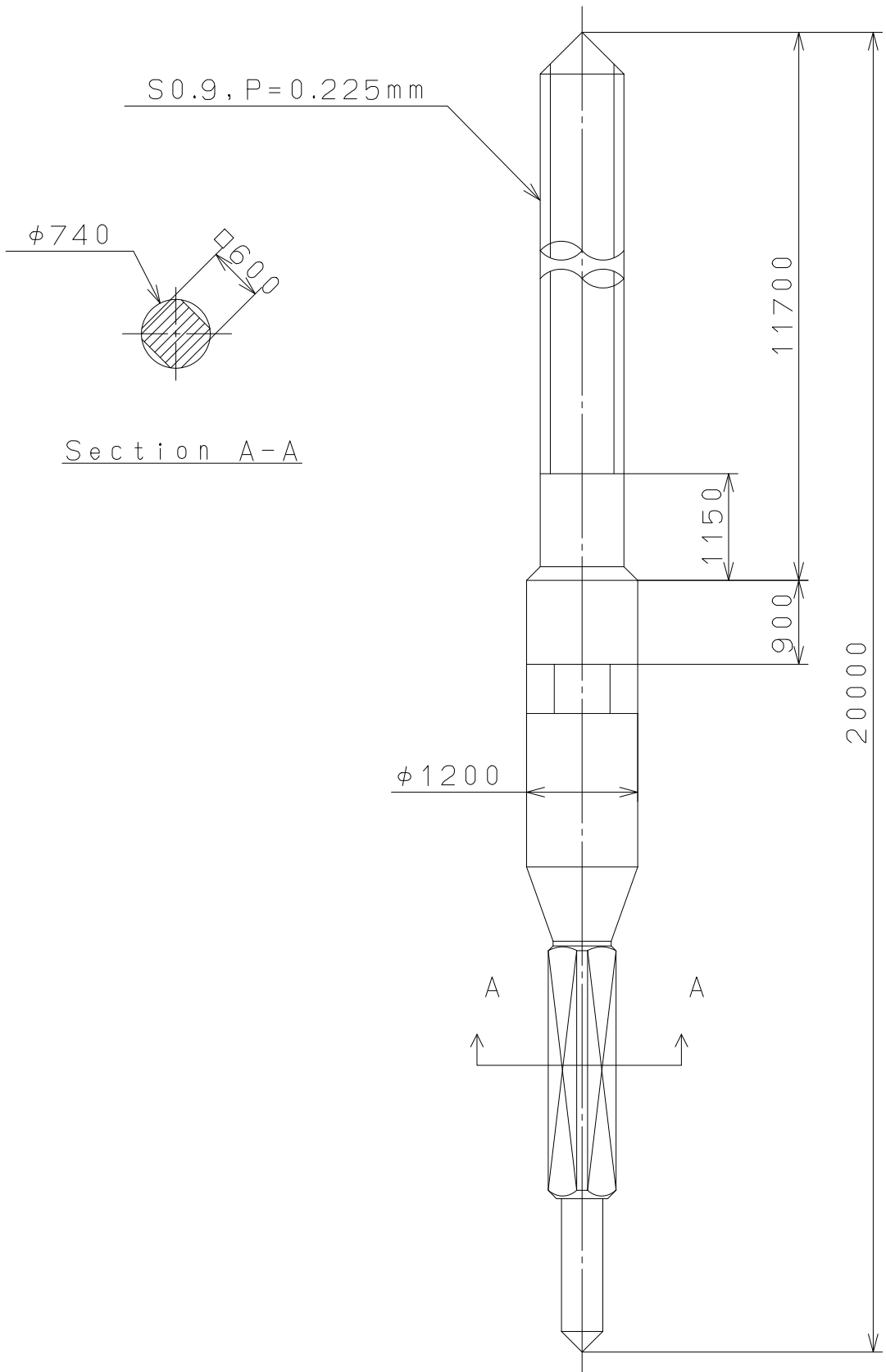
△			Quantity		Cal. NO.:	8N24-E21
△			Unit	1/1000mm		
△			Scale	5:1	Parts No.:	
△			Date			
△			Drawn			
Mark	Date	Description	Appr.	Checked	Name:	
		Alterations		Approved	N. Suzuki	
Material					Indications for Dial	
Heat Treatment					Drawing No.: 8N24D001	
Hardness				General Tolerances	MIYOTA CITIZEN WATCH CO., LTD. TOKYO, JAPAN	
Plating				Dimensions		
				Angles		

2008/11/14 (11:30:42)

This drawing is provisional and subject to our reconfirmation and/or revision without notice.

A
B
C
D
E
F

1 2 3 4



△5			Quantity		Cal.NO.:
△4			Unit	1/1000mm	
△3			Scale	15:1	Parts No.:
△2			Date		065-212
△1			Drawn		
Mark	Date	Description	Appr.	Checked	Name:
		Alterations	Approved	N. Suzuki	SETTING STEM
Material					Drawing No.: 2120S001
Heat Treatment			General Tolerances	MIYOTA CITIZEN WATCH CO., LTD. TOKYO, JAPAN	
Hardness			Dimensions		
Plating			Angles		