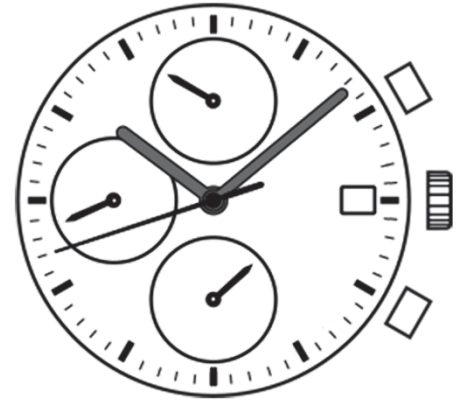


Watch Movement Specification and Drawing

Dual Time Movement

VD37B



Movement Size: **12 3/4"**
 Diameter: **Φ29.50mm**
 Height: **4.57mm**

Items	Ver.	Items	Ver.
Specification	1		
Appearance	1		
Casing	1		
Hand Fitting	1		
Hand Setting Stem	1		
Dial	1		
Assembly Plan - 1	1		
Assembly Plan - 2	1		
Hands	1		

CAL.VD37B 12 $\frac{3}{4}$ Ligne Quartz Movement

Three Hands with 3 Eyes & Date

Small Dual Time of 24 Hour, 12 Hour & 60 Minute Hands

1. FUNCTION

- Jewel 0 jewel
- Accuracy Less than ± 20 seconds / month (Normal temperature range)
- Battery life Approx. 3 years
- Regulation hands unbalance
 - Hour hand : Less than $0.60 \mu\text{N}\cdot\text{m}$ (60 mg·mm)
 - Minute hand : Less than $0.90 \mu\text{N}\cdot\text{m}$ (90 mg·mm)
 - Second hand : Less than $0.09 \mu\text{N}\cdot\text{m}$ (9 mg·mm)
 - Small dual time hands : Less than $0.05 \mu\text{N}\cdot\text{m}$ (5 mg·mm)

- Additional function
 - Date display with quick date correction
 - Regulator dual time (24 hour, 12 hour, 60 minute)

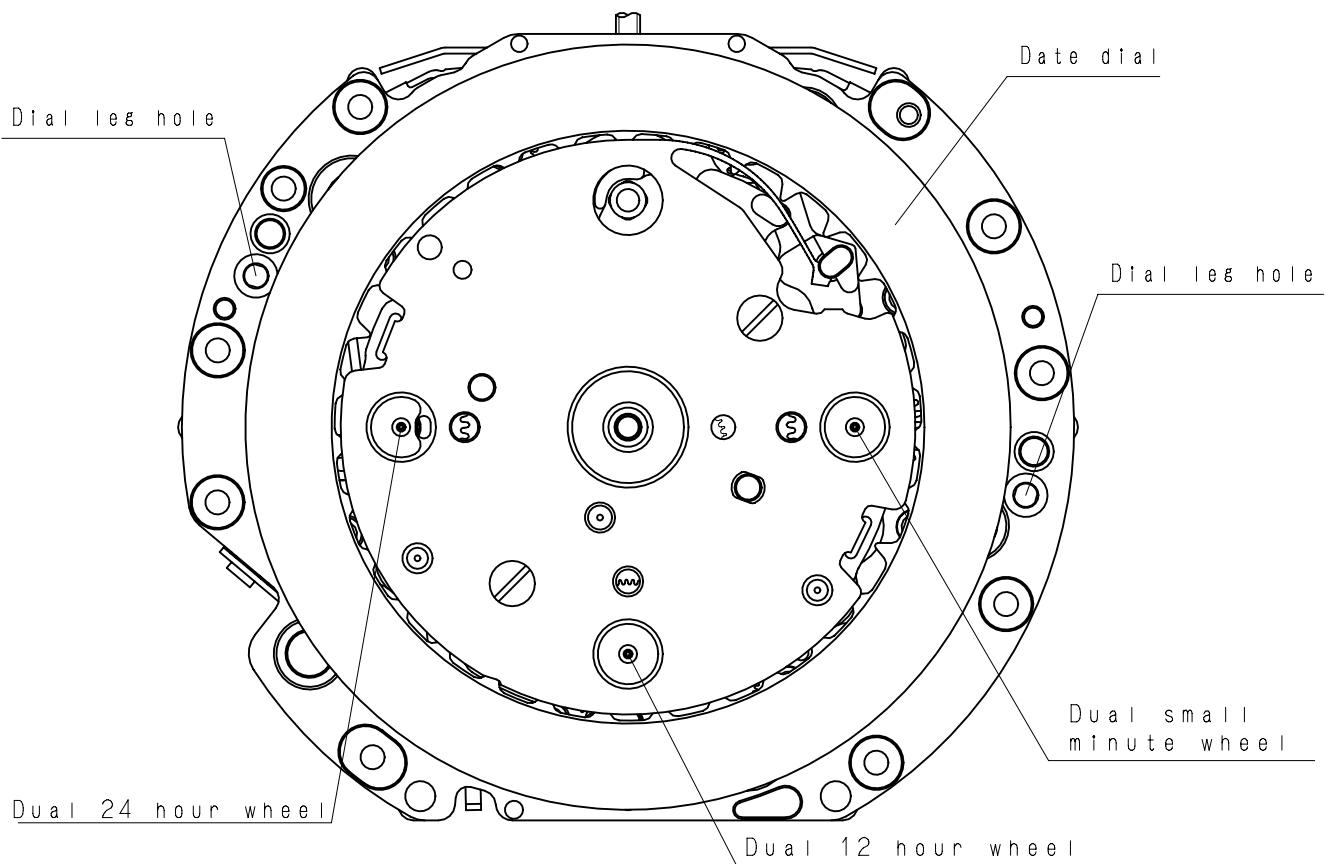
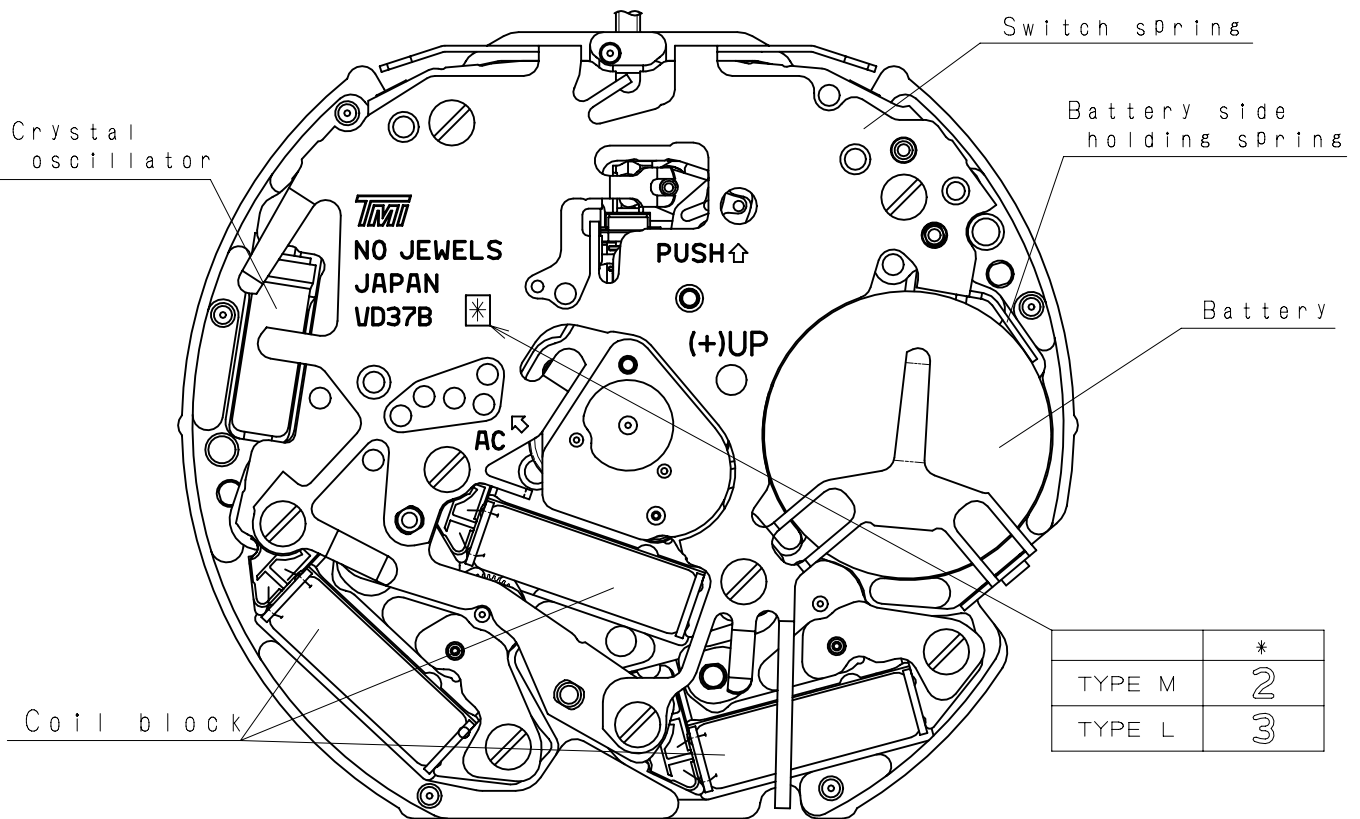
2. USE AND TEST CONDITION

- Battery SR920SW (Recommended battery is SEIZAIKEN)
- Operation temperature range From $-5\text{ }^{\circ}\text{C}$ to $+50\text{ }^{\circ}\text{C}$
- Antimagnetic $\geq 1600\text{ A/m}$ (Direct current magnetic field)
- Test of accuracy 10 seconds (Duration of measurement)

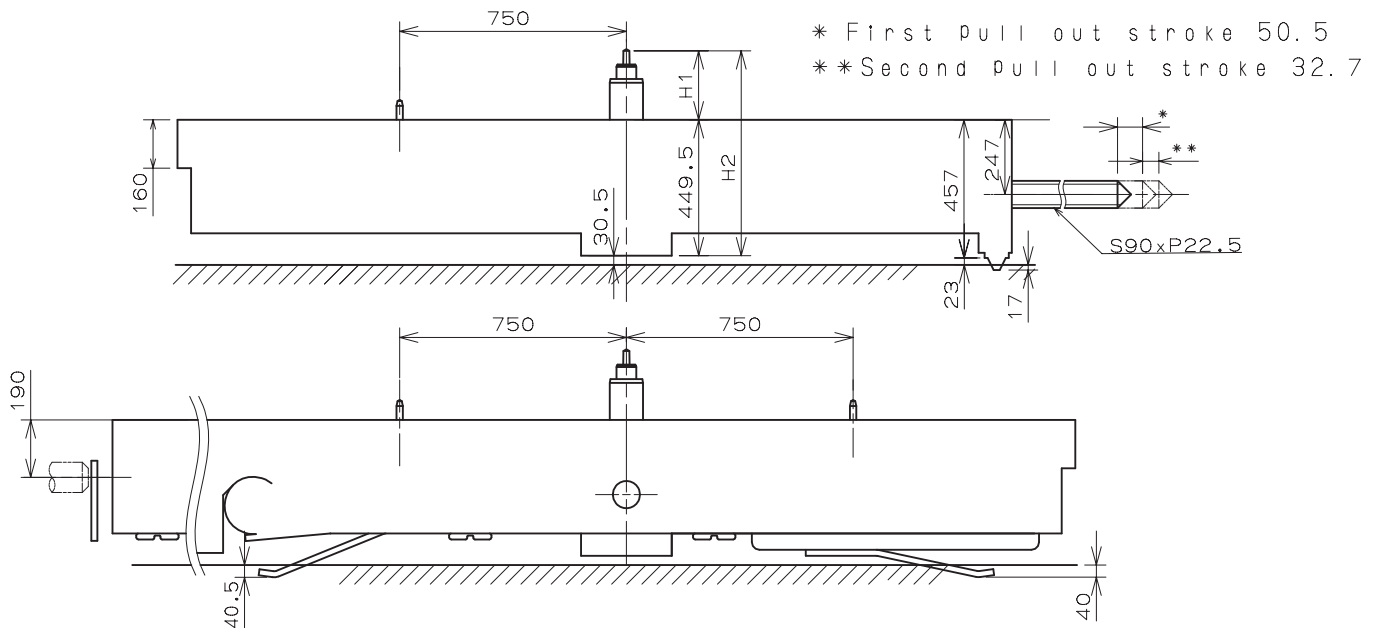
*** All specifications are subject to change without notice.**

Appearance

VD37B

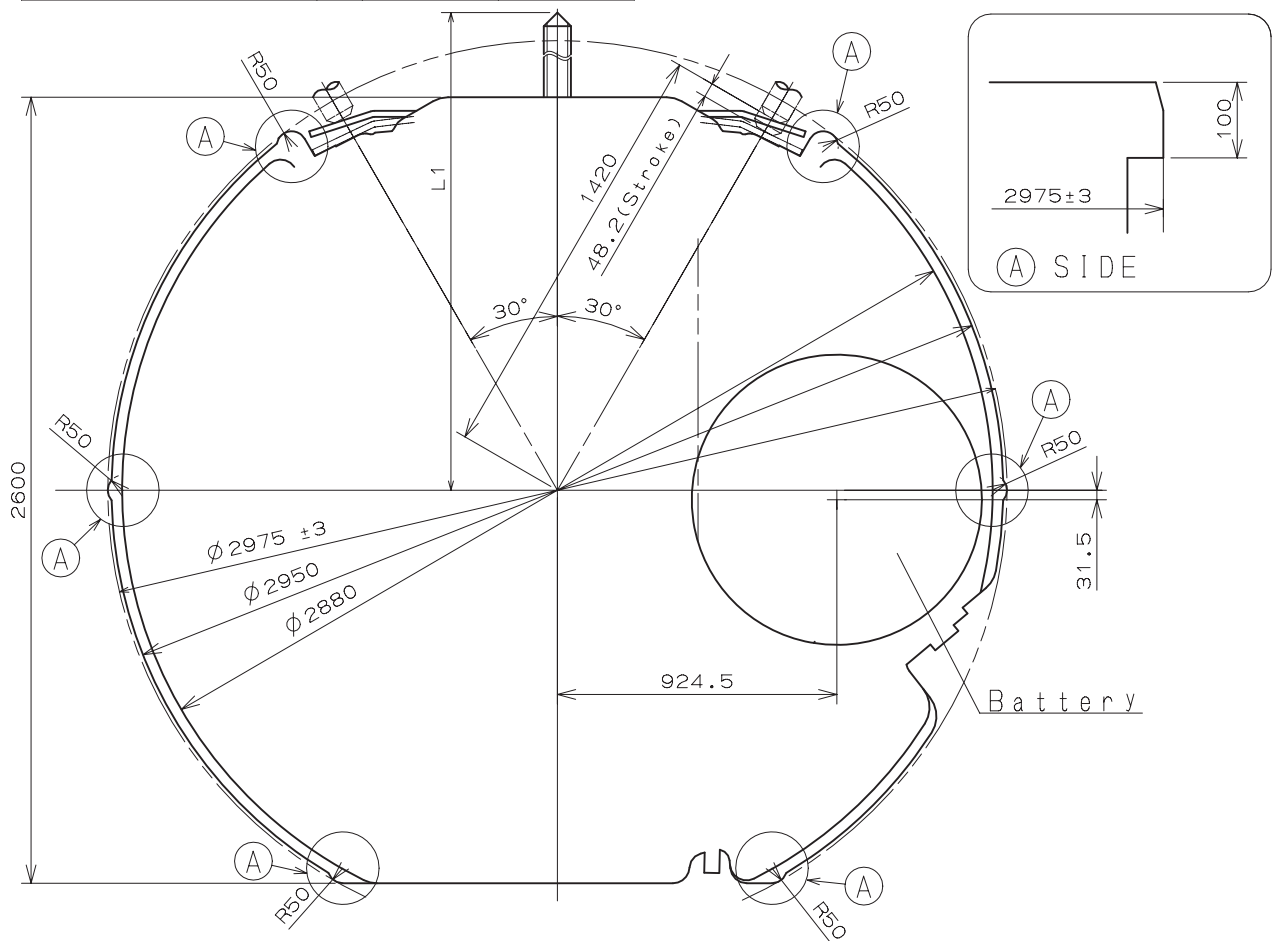


Version : 1



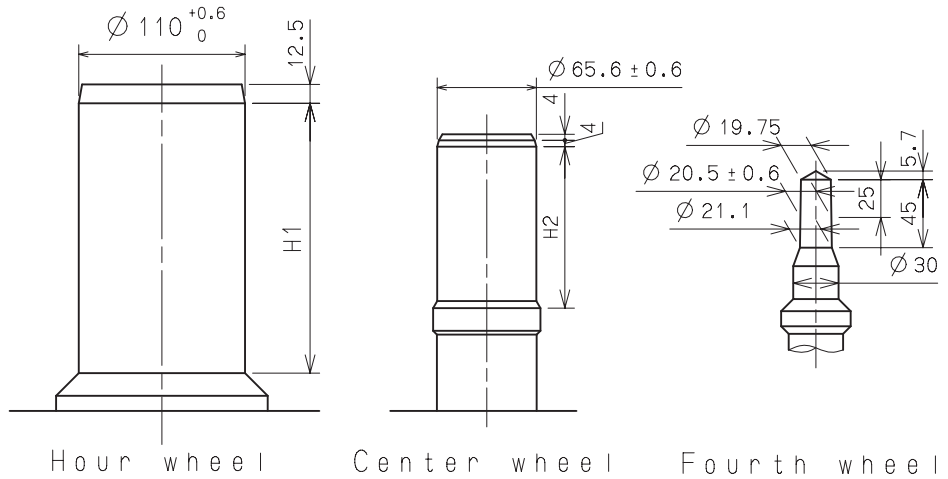
Center post 中心柱位		TYPE M 一般針高	TYPE L 高針
Maximum height from main plate surface 與機芯平面的最大高度	H1	228	273
Total height incl. movement 機芯總高度	H2	677.5	722.5

Hand Setting Stem	TYPE A	TYPE B
L1	2285	2861

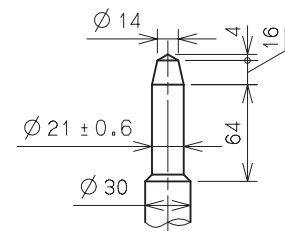


- ※Unbalance
- Hour hand $\leq 0.6 \mu\text{N} \cdot \text{m} (60\text{mg} \cdot \text{mm})$
 - Minute hand $\leq 0.9 \mu\text{N} \cdot \text{m} (90\text{mg} \cdot \text{mm})$
 - Second hand $\leq 0.09 \mu\text{N} \cdot \text{m} (9\text{mg} \cdot \text{mm})$
 - Dual time hand $\leq 0.05 \mu\text{N} \cdot \text{m} (5\text{mg} \cdot \text{mm})$

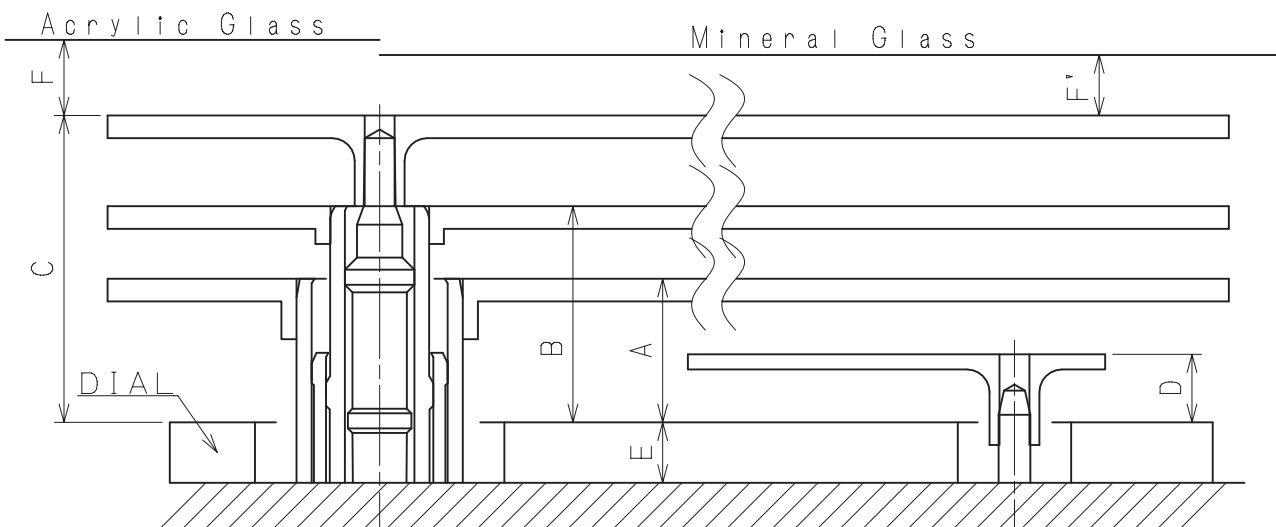
	H1	H2
TYPE M 一般針高	178.5	109
TYPE L 高針	223.5	154



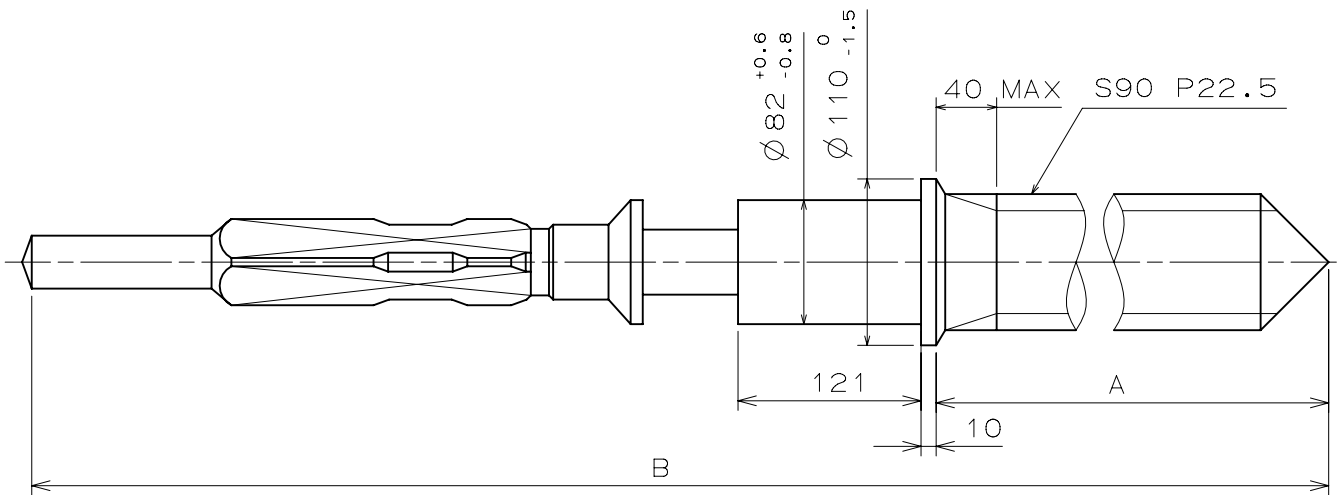
Part name		Part No.	
		TYPE M 一般針高	TYPE L 高針
Hour wheel	時針輪	0271 407	0273 037
Center wheel	分針輪	0221 157	0221 078
Fourth wheel	秒針輪	0241 178	0241 489
Dual 24 hour wheel	兩地時間24小時針輪	0888 009	0888 011
Dual 12 hour wheel	兩地時間12小時針輪	0902 008	0902 004
Dual small minute wheel	兩地時間小分針輪	0888 009	0888 011



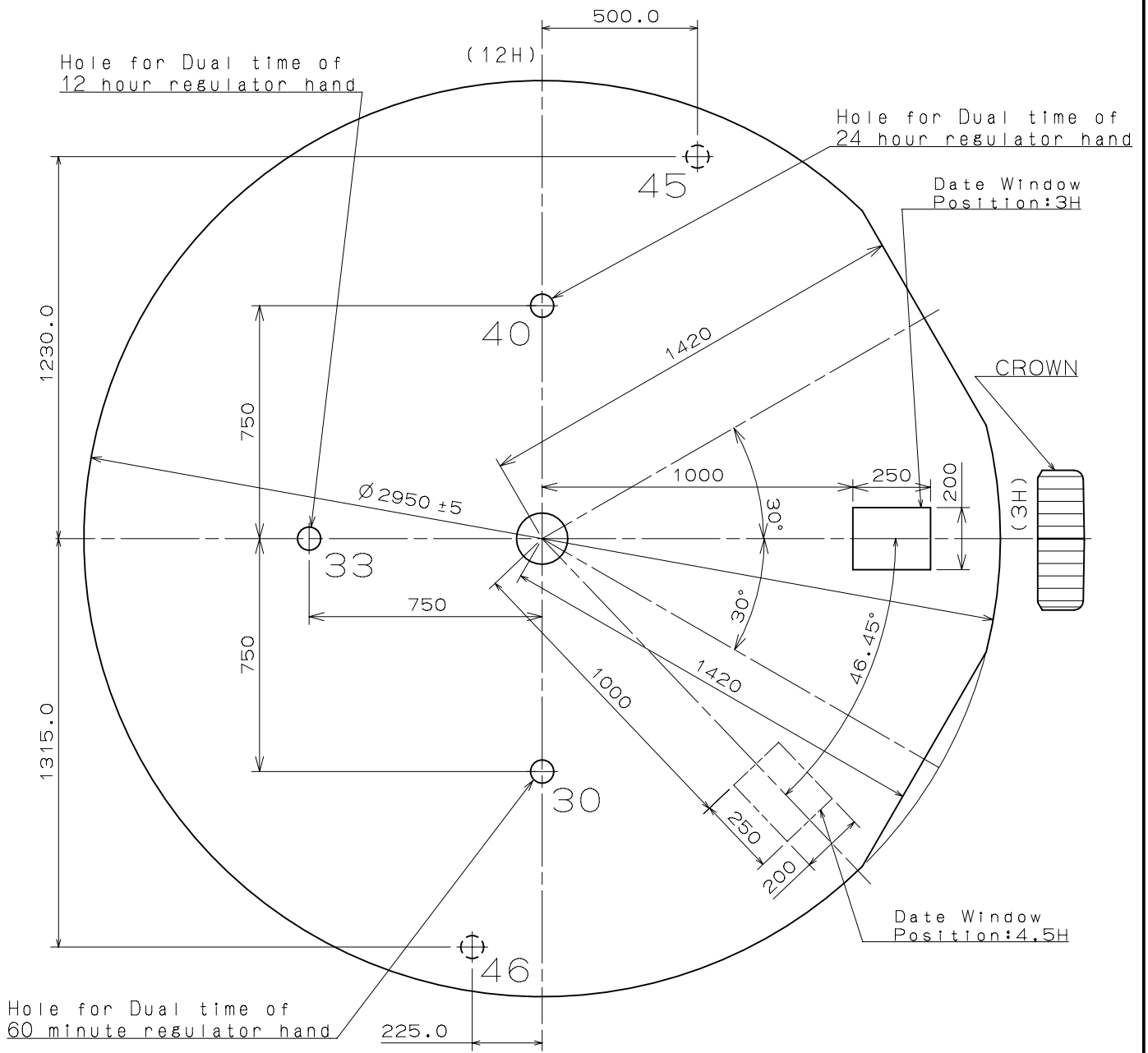
Dual 24 hour wheel
Dual 12 hour wheel
Dual small minute wheel



	A	B	C	D	E	F	F'
TYPE M 一般針高	95	143	203	45	40	50	40
TYPE L 高針	95	143	203	45	85	50	40



	Part No.	A	B
TYPE A	0351 177	1371	1969
TYPE B	0351 122	1947	2545



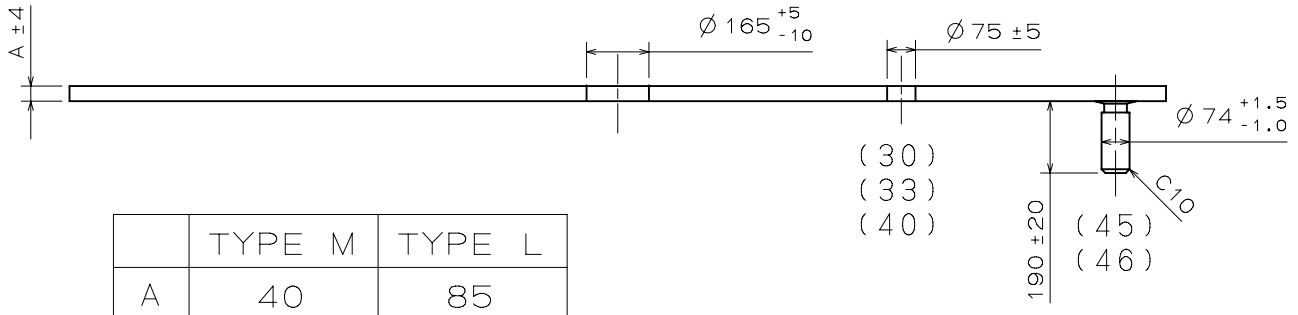
Hole for Dual time of 60 minute regulator hand

Hole for Dual time of 12 hour regulator hand

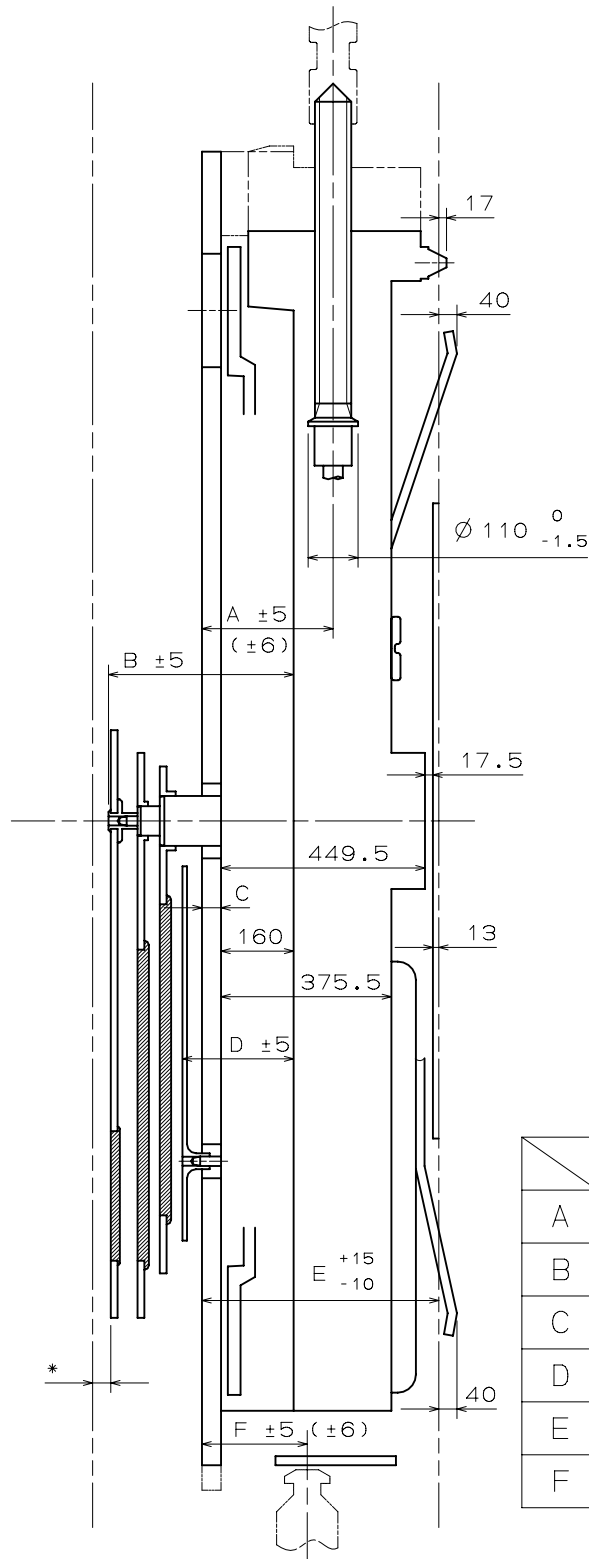
Hole for Dual time of 24 hour regulator hand

Date Window Position: 3H

Date Window Position: 4.5H

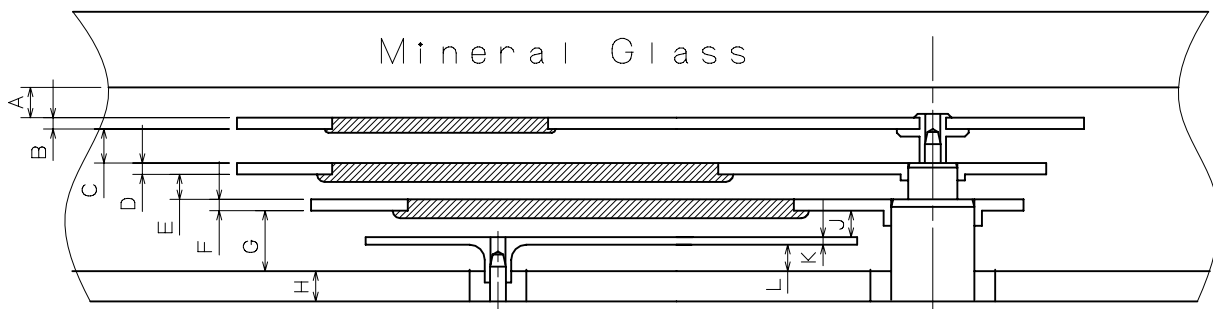
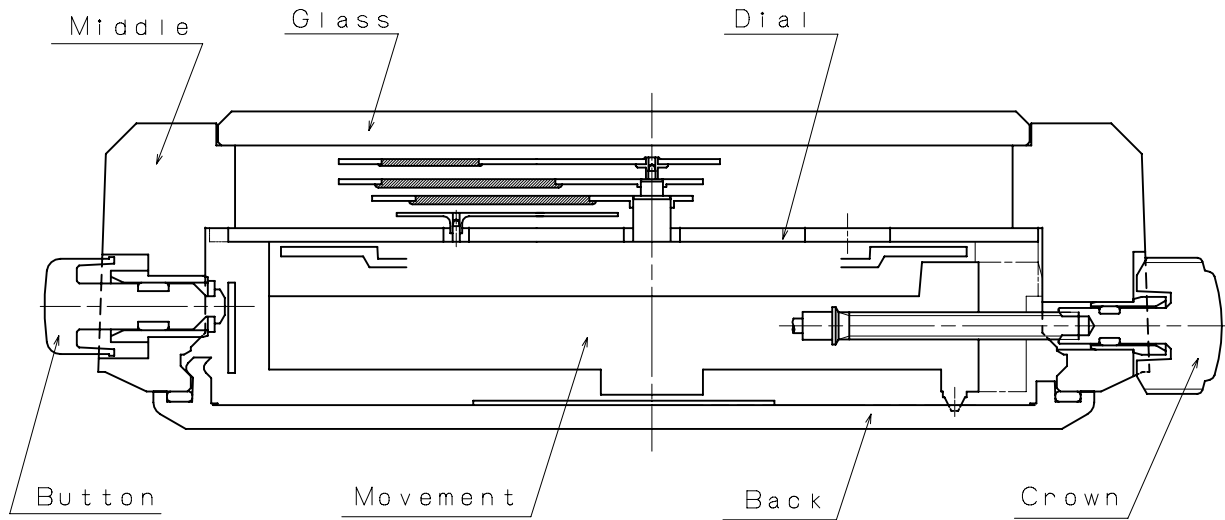


	TYPE M	TYPE L
A	40	85



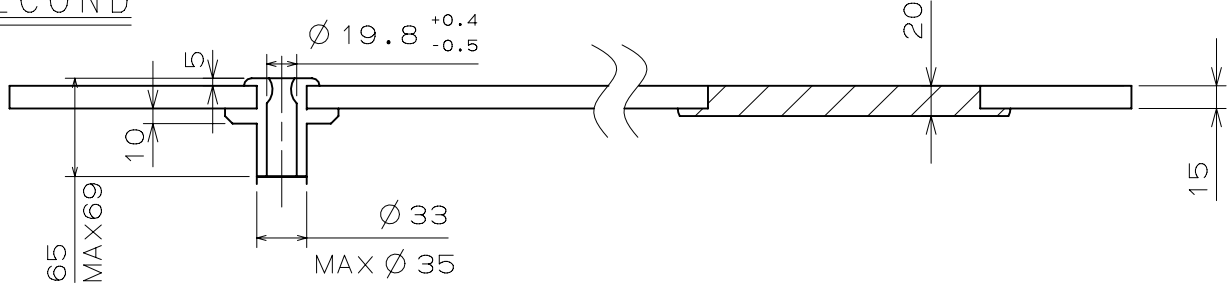
*Acrylic Glass 50
 *Mineral Glass 40

	TYPE M	TYPE L
A	287	332
B	403	448
C	40	85
D	245	290
E	520	565
F	230	275

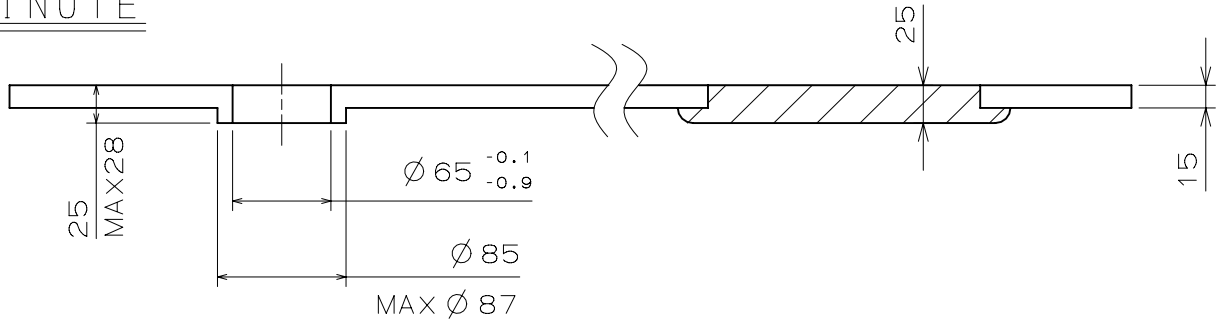


	TYPE M	TYPE L
A	40	40
B	15	15
C	45	45
D	15	15
E	33	33
F	15	15
G	80	80
H	40	85
J	35	35
K	10	10
L	35	35

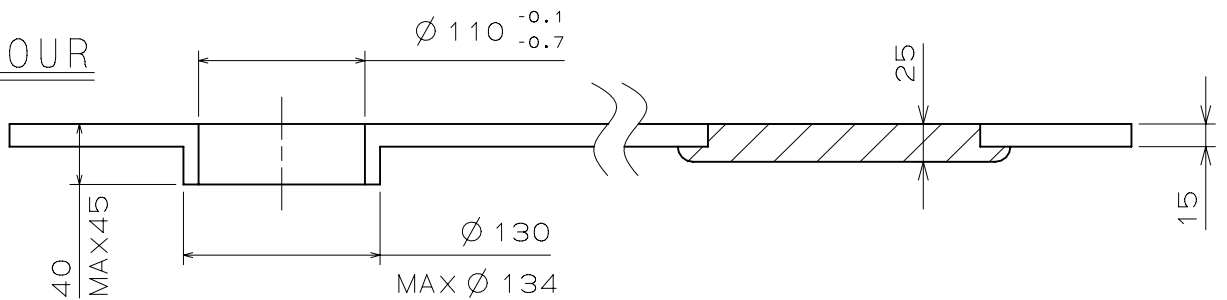
SECOND



MINUTE



HOUR



DUAL TIME

