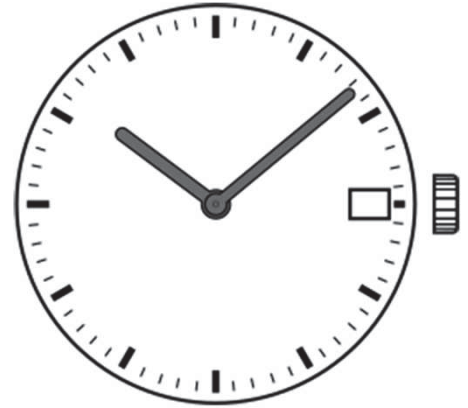


Watch Movement Specification and Drawing

Slim / Small Movement

VJ24B



Movement Size: **6³/₄ × 8'''**
 Diameter: **Φ18.50mm**
 Height: **2.71mm**

Items	Ver.	Items	Ver.
Specification	1		
Appearance	1		
Casing	1		
Hand Fitting	1		
Hand Setting Stem	1		
Dial	1		
Casing Ring	1		
Assembly Plan	1		
Hands	1		

CAL.VJ24B 6¼ X 8 Ligne Quartz Movement

Two Hands with Date

1. FUNCTION

- Jewel 0 jewel
- Accuracy Less than ± 20 seconds / month (Normal temperature range)
- Battery life Approx. 3 years
- Regulation hands unbalance
 - Hour hand : Less than $0.30 \mu\text{N}\cdot\text{m}$ (30 mg·mm)
 - Minute hand : Less than $0.30 \mu\text{N}\cdot\text{m}$ (30 mg·mm)
- Additional function Date display with quick date correction

2. USE AND TEST CONDITION

- Battery SR621SW (Recommended battery is SEIZAIKEN)
- Operation temperature range From $- 5 \text{ }^\circ\text{C}$ to $+ 50 \text{ }^\circ\text{C}$
- Antimagnetic $\geq 1600 \text{ A / m}$ (Direct current magnetic field)
- Test of accuracy 10 seconds (Duration of measurement)

*** All specifications are subject to change without notice.**

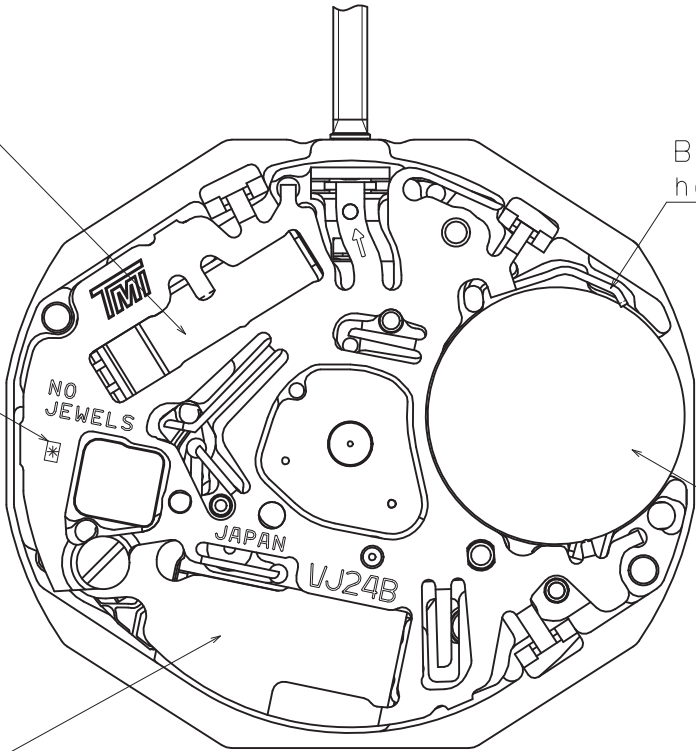
Appearance

VJ24B

Crystal oscillator

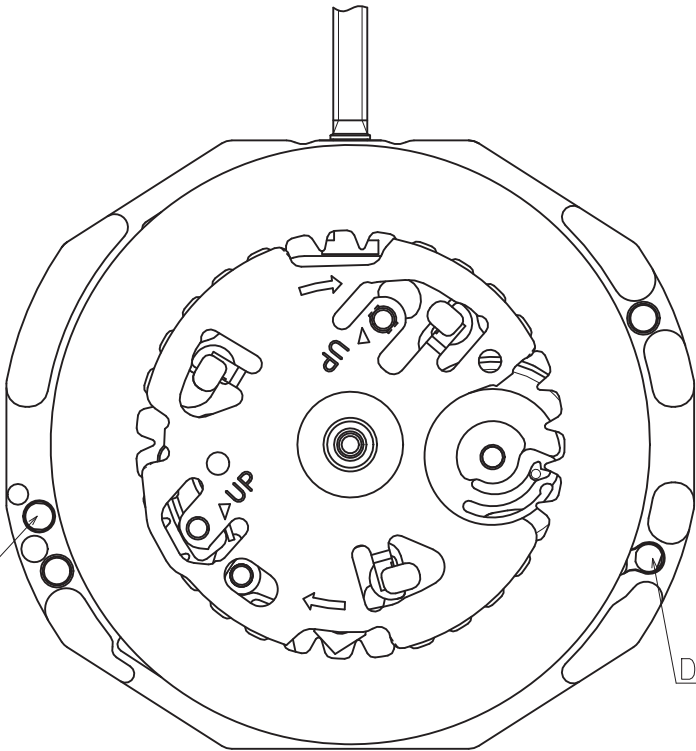
Battery side holding spring

	*
TYPE M	2



Battery

Coil block



Dial leg hole

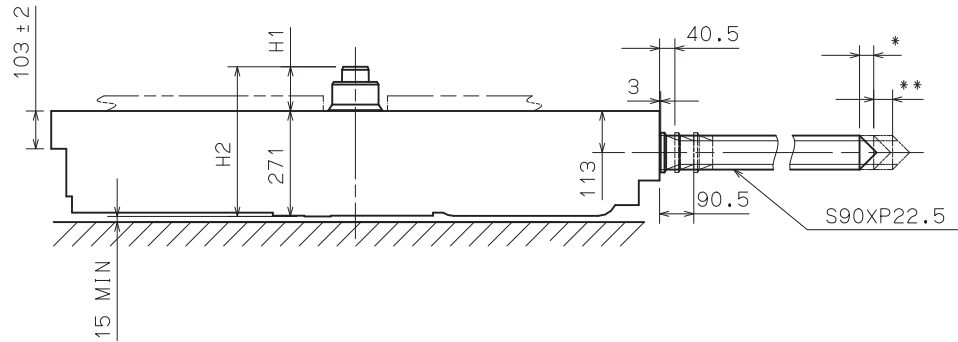
Dial leg hole

Version : 1

Battery Side holding Spring Type.

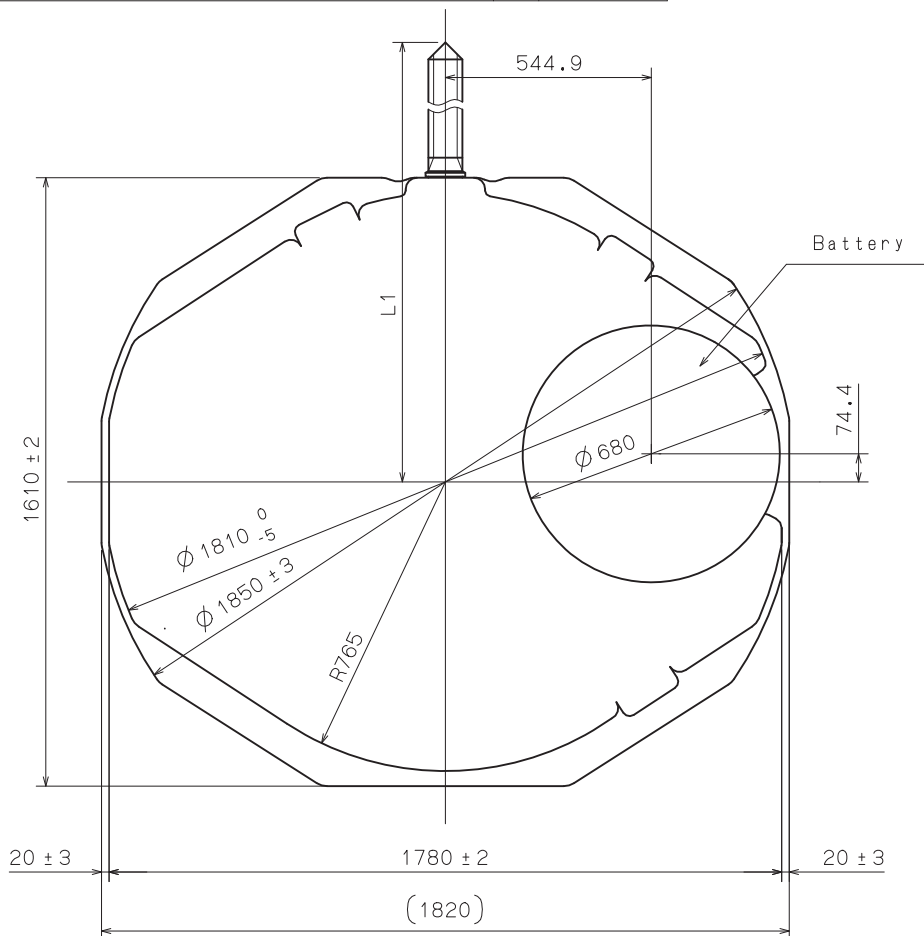
* First Pull out Stroke 37.5

** Second Pull out Stroke 50



Center post 中心柱位		TYPE M 一般針高
Maximum height from main plate surface 與機芯平面的最大高度	H1	117
Total height incl. movement 機芯總高度	H2	388

Hand Setting Stem	TYPE A	TYPE B
L1	2003	2413

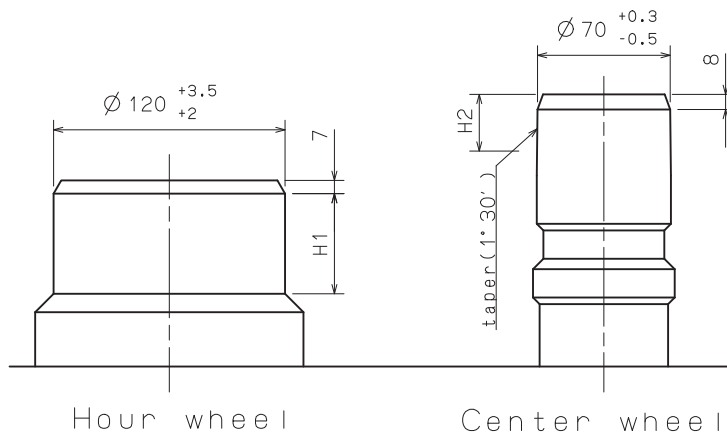


Unit : 1=1/100mm

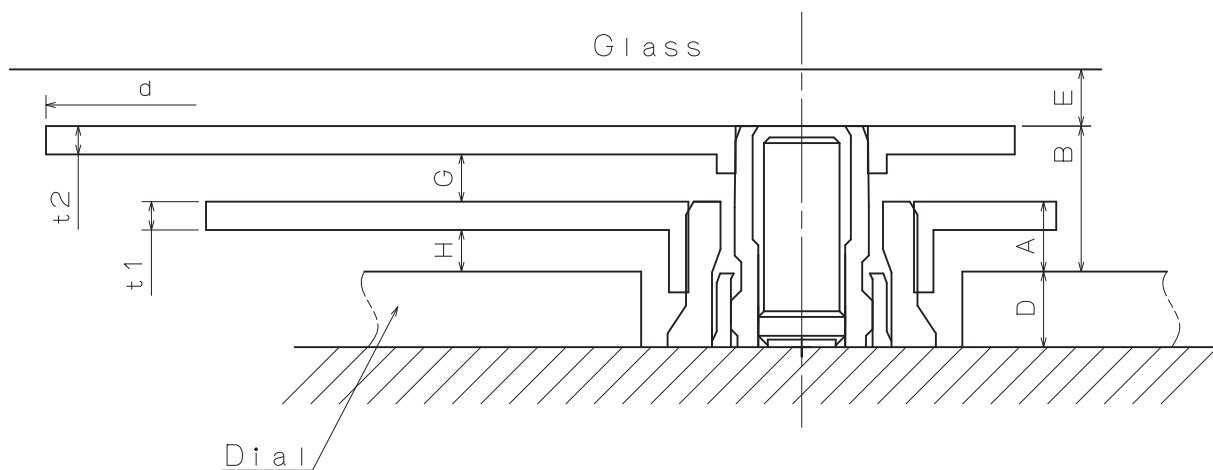
Version : 1

Hour hand unbalance $\leq 0.3 \mu\text{N}\cdot\text{m}$ (30mg·mm)

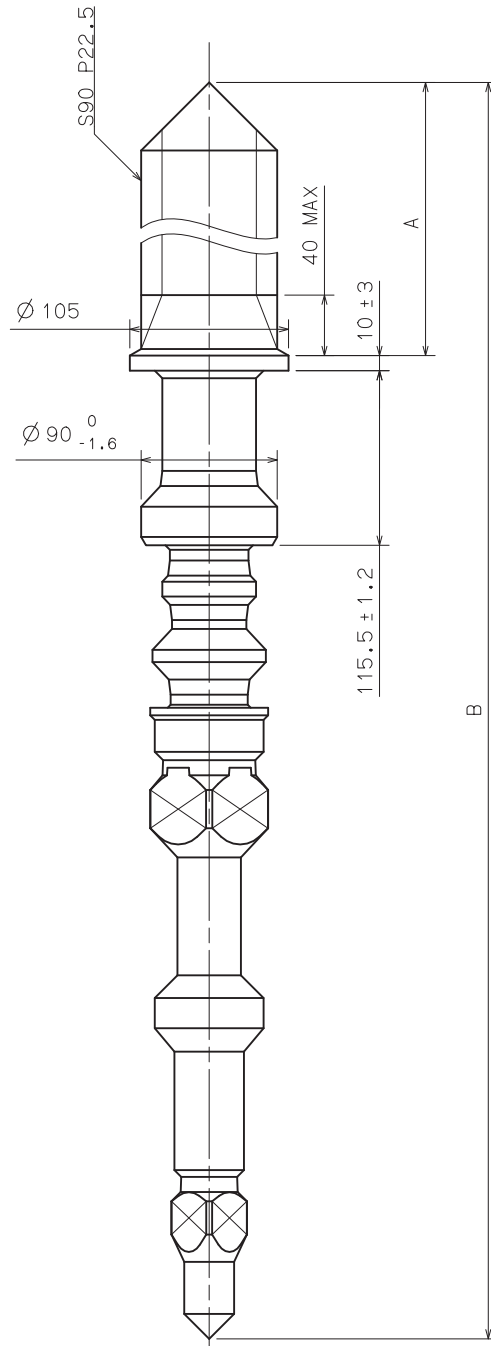
Minute hand unbalance $\leq 0.3 \mu\text{N}\cdot\text{m}$ (30mg·mm)



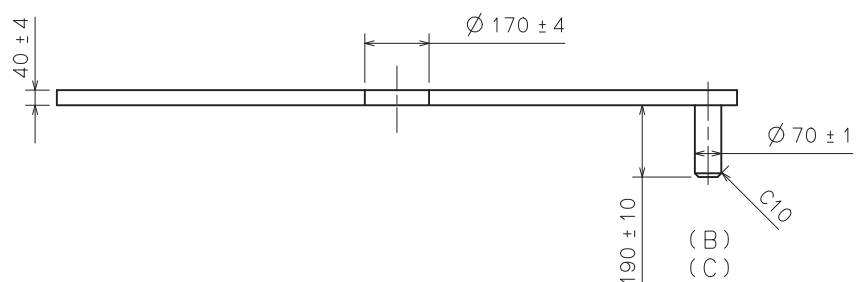
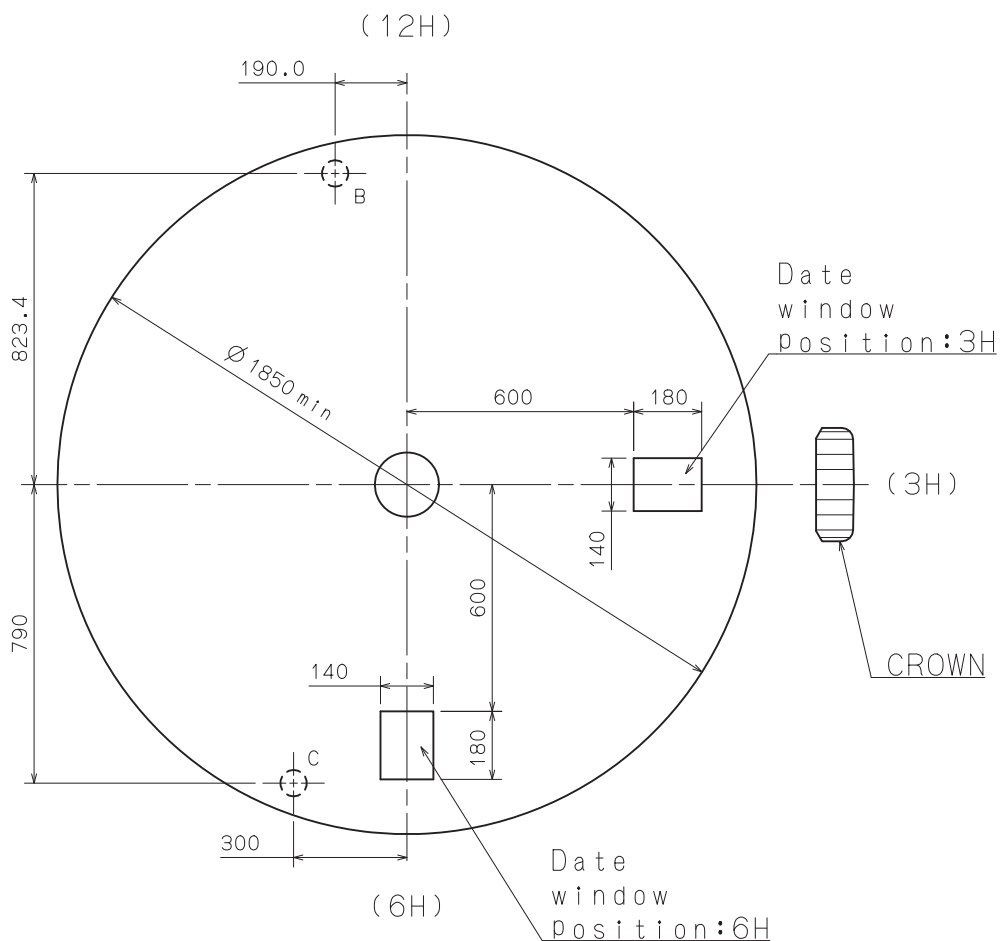
	Part No.		Dimension	
	Hour wheel 時針輪	Center wheel 分針輪	H1	H2
TYPE M 一般針高	0273 021	0221 055	48	27



	A	B	D	E	G	H	t1	t2	d
TYPE M 一般針高	37	77	37	30	25	22	15	15	$\phi 2500$

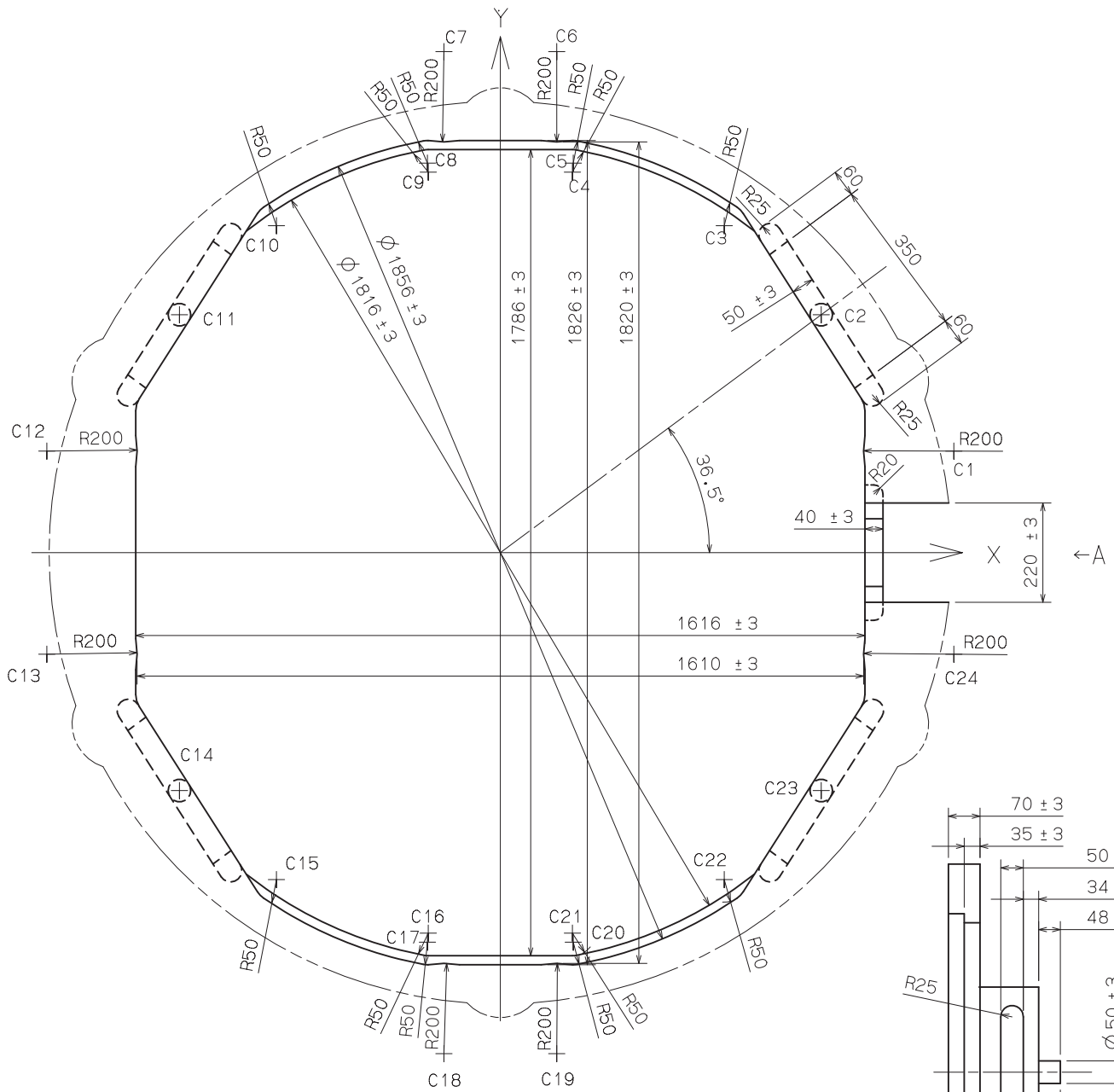


	Part No.	A	B
TYPE A	0351 332	1185	1835.5
TYPE B	0351 001	1595	2245.5



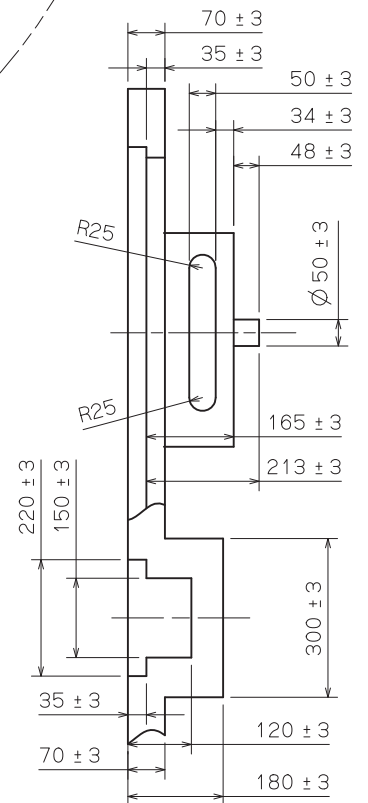
Casing Ring

VJ24B



No.	X	Y
C1	1005.00	225.00
C2	711.10	527.09
C3	496.20	724.34
C4	159.73	843.00
C5	161.60	863.00
C6	125.00	1110.00
C7	-125.00	1110.00
C8	-161.60	863.00
C9	-159.73	843.00
C10	-496.20	724.34
C11	-711.10	527.09
C12	-1005.00	225.00

No.	X	Y
C13	-1005.00	-225.00
C14	-711.10	-527.09
C15	-496.20	-724.34
C16	-159.73	-843.00
C17	-161.60	-863.00
C18	-125.00	-1110.00
C19	125.00	-1110.00
C20	161.60	-863.00
C21	159.73	-843.00
C22	496.20	-724.34
C23	711.10	-527.09
C24	1005.00	-225.00



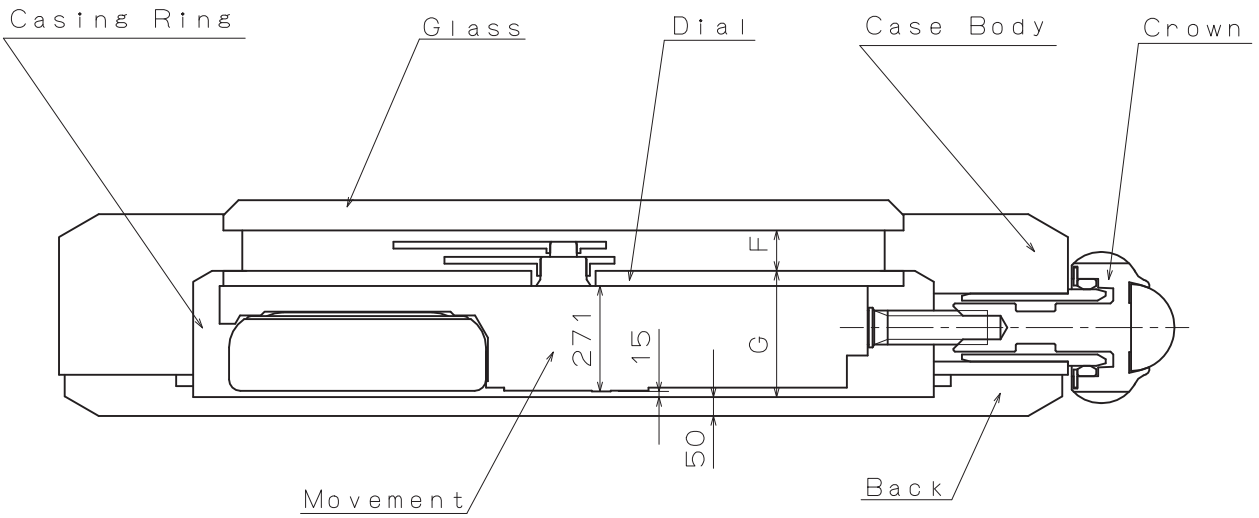
SIDE VIEW from A DIRECTION

Unit : 1=1/100mm

Version : 1

Assembly Plan

VJ24B

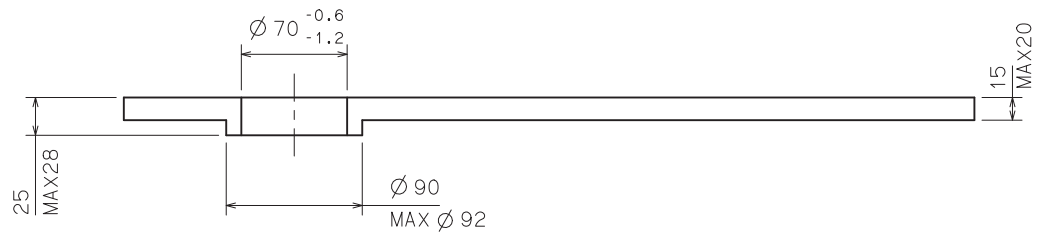


	A	B	D	E	F	G	H
TYPE M	37	77	40	30	107	326	∅ 2500

Unit : 1=1/100mm

Version : 1

MINUTE



HOUR

