

Watch Movement Specification and Drawing

Slim / Small Movement

VJ20C



Movement Size: **6³/₄ × 8'''**
 Diameter: **Φ18.50mm**
 Height: **2.28mm**

Items	Ver.	Items	Ver.
Specification	1		
Appearance	1		
Casing	1		
Hand Fitting	1		
Hand Setting Stem	1		
Dial	1		
Casing Ring	1		
Assembly Plan	1		
Hands	1		

CAL.VJ20C 6¼ X 8 Ligne Quartz Movement

Two Hands

1. FUNCTION

· Jewel	0 jewel
· Accuracy	Less than ±20 seconds / month (Normal temperature range)
· Battery life	Approx. 3 years
· Regulation hands unbalance	Hour hand : Less than 0.30 μN·m (30 mg·mm) Minute hand : Less than 0.30 μN·m (30 mg·mm)

2. USE AND TEST CONDITION

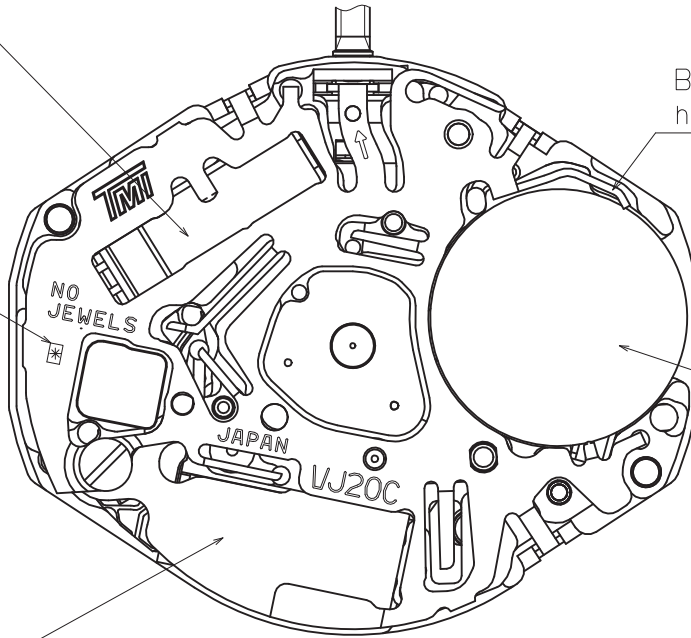
· Battery	SR621SW	(Recommended battery is SEIZAIKEN)
· Operation temperature range	From - 5 °C to + 50 °C	
· Antimagnetic	≥ 1600 A / m	(Direct current magnetic field)
· Test of accuracy	10 seconds	(Duration of measurement)

*** All specifications are subject to change without notice.**

Crystal oscillator

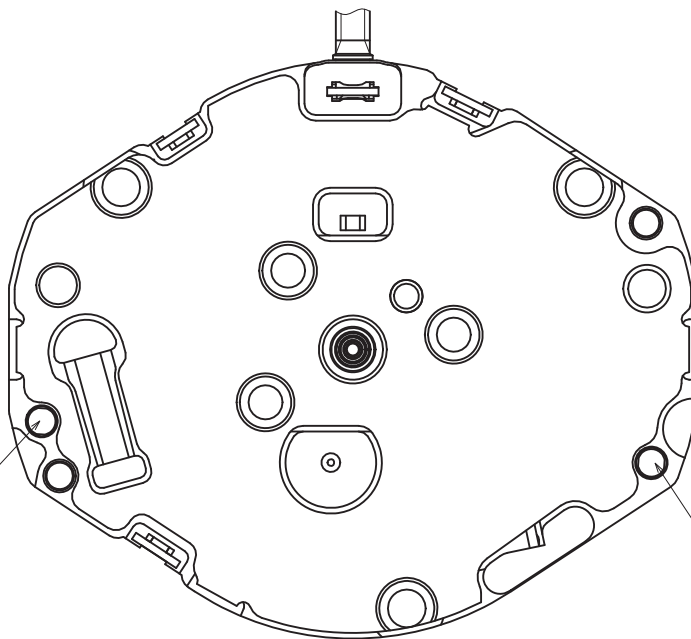
Battery side holding spring

	*
TYPE M	2
TYPE L	3



Battery

Coil block



Dial leg hole

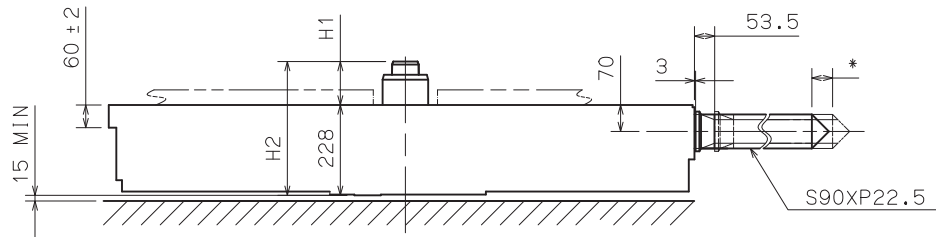
Dial leg hole

Unit : 1=1/100mm

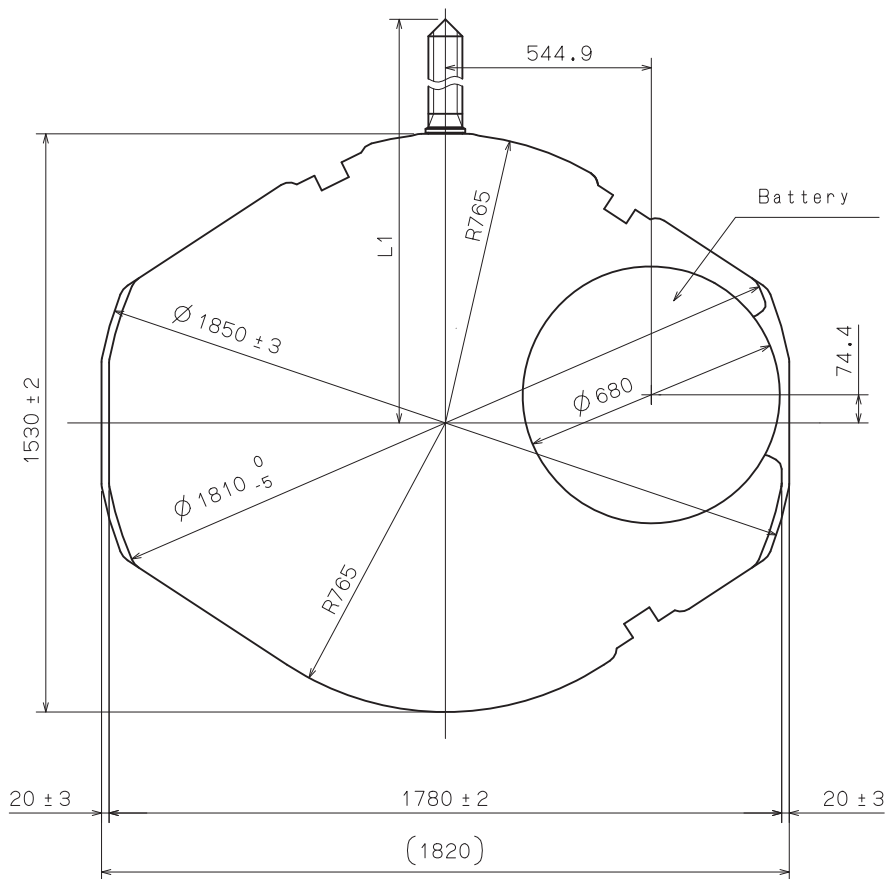
Version : 1

Battery Side holding spring Type.

* Pull out Stroke 50.5



Center post 中心柱位		TYPE M 一般針高	TYPE L 高針	Hand Setting Stem	TYPE A
Maximum height from main plate surface 與機芯平面的最大高度	H1	115	174	L1	2001
Total height incl. movement 機芯總高度	H2	343	402		

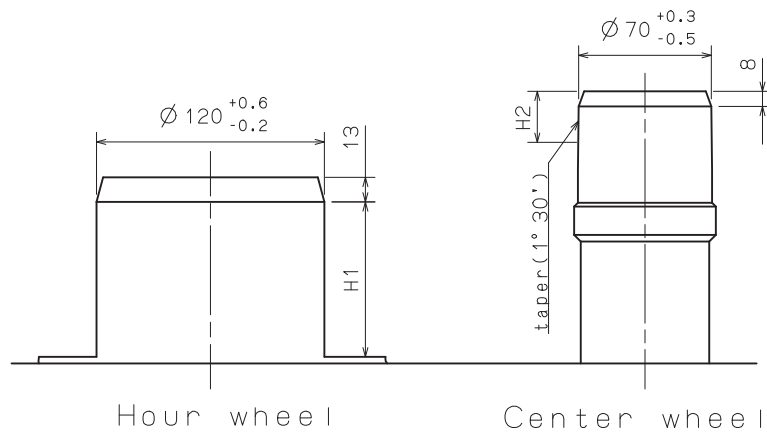


Unit : 1=1/100mm

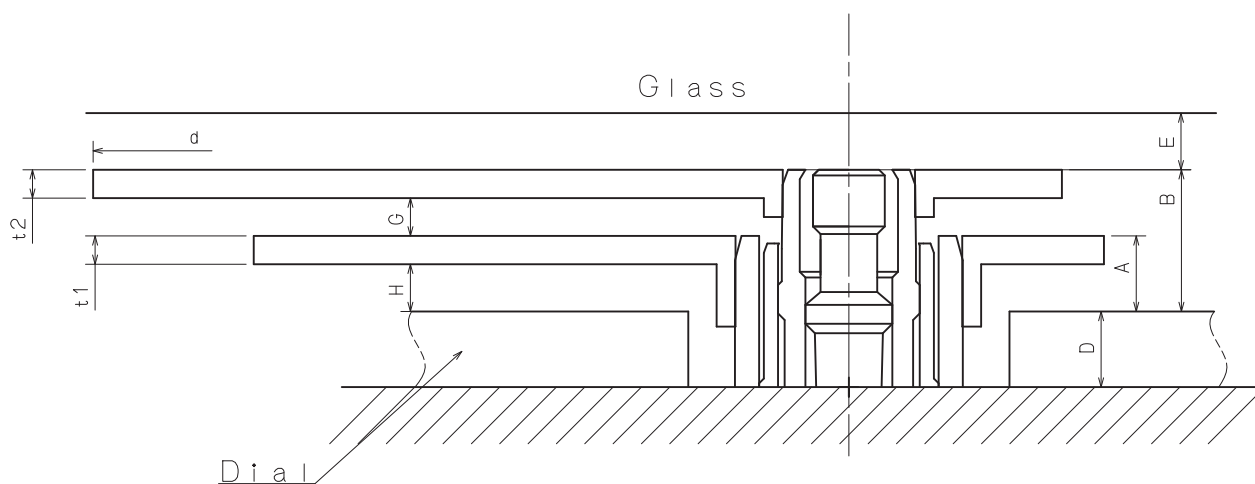
Version : 1

Minute hand unbalance $\leq 0.3 \mu\text{N}\cdot\text{m} (30\text{mg}\cdot\text{mm})$

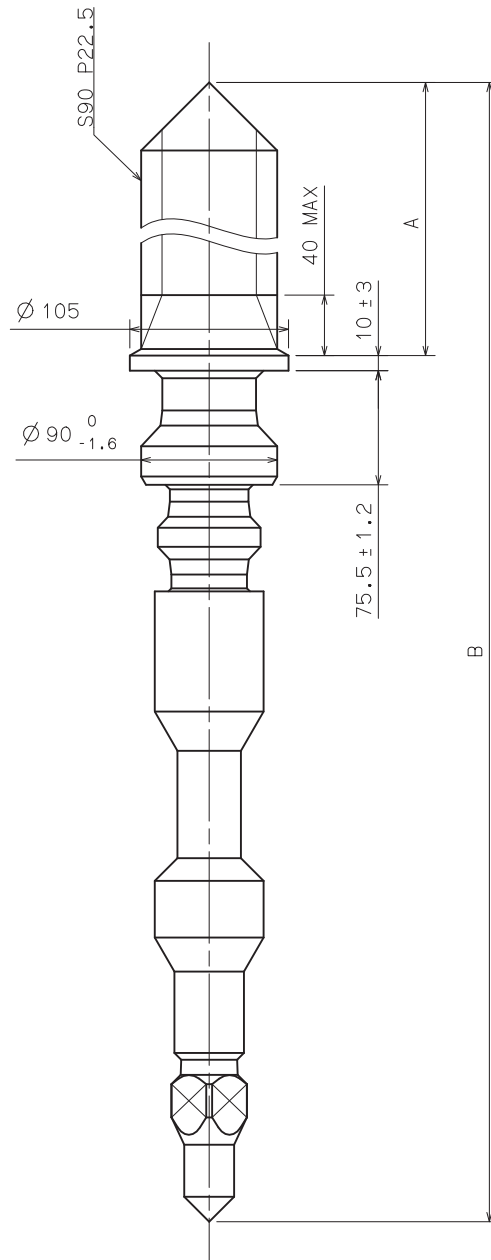
Hour hand unbalance $\leq 0.3 \mu\text{N}\cdot\text{m} (30\text{mg}\cdot\text{mm})$



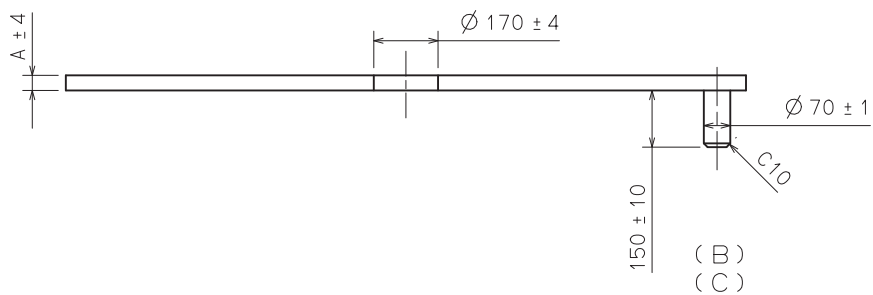
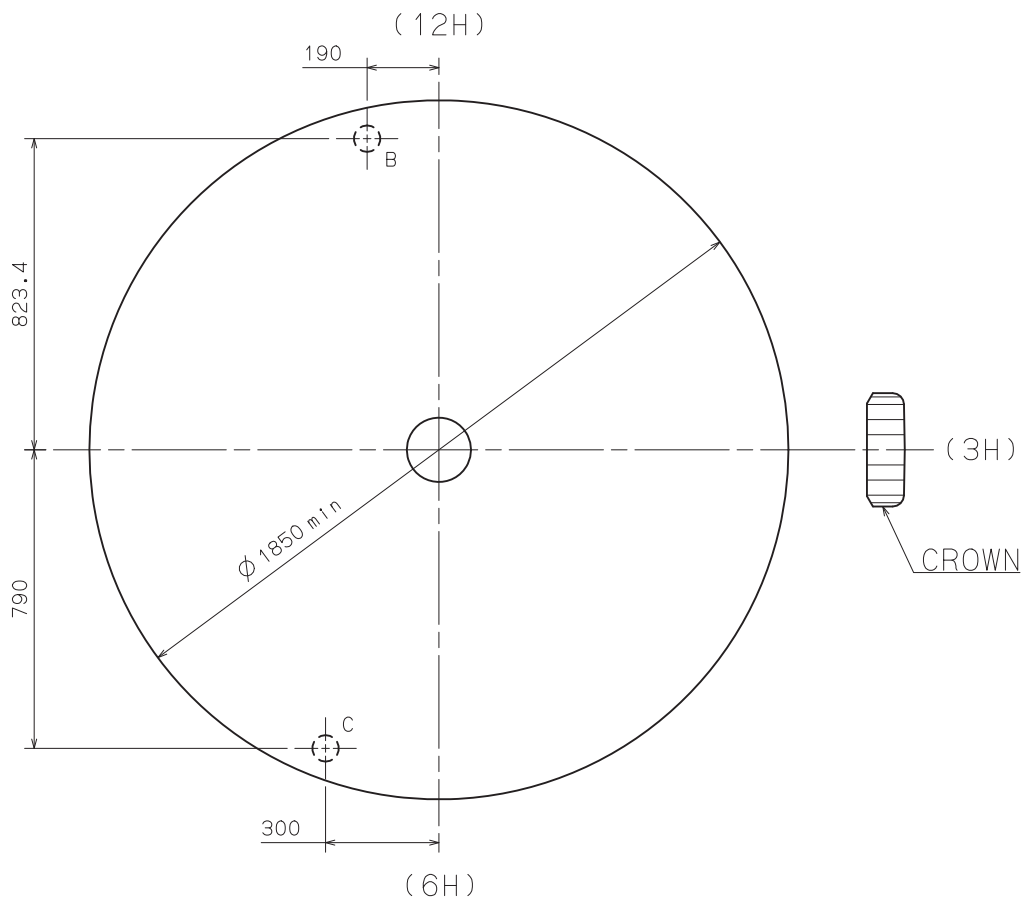
	Part No.		Dimension	
	Hour wheel 時針輪	Center wheel 分針輪	H1	H2
TYPE M 一般針高	0273 026	0221 146	80	27
TYPE L 高針	0273 027	0221 147	125	27



	A	B	D	E	G	H	t1	t2	d
TYPE M 一般針高	40	75	40	30	20	25	15	15	$\phi 2500$
TYPE L 高針	40	89	85	30	20	25	15	15	$\phi 2500$



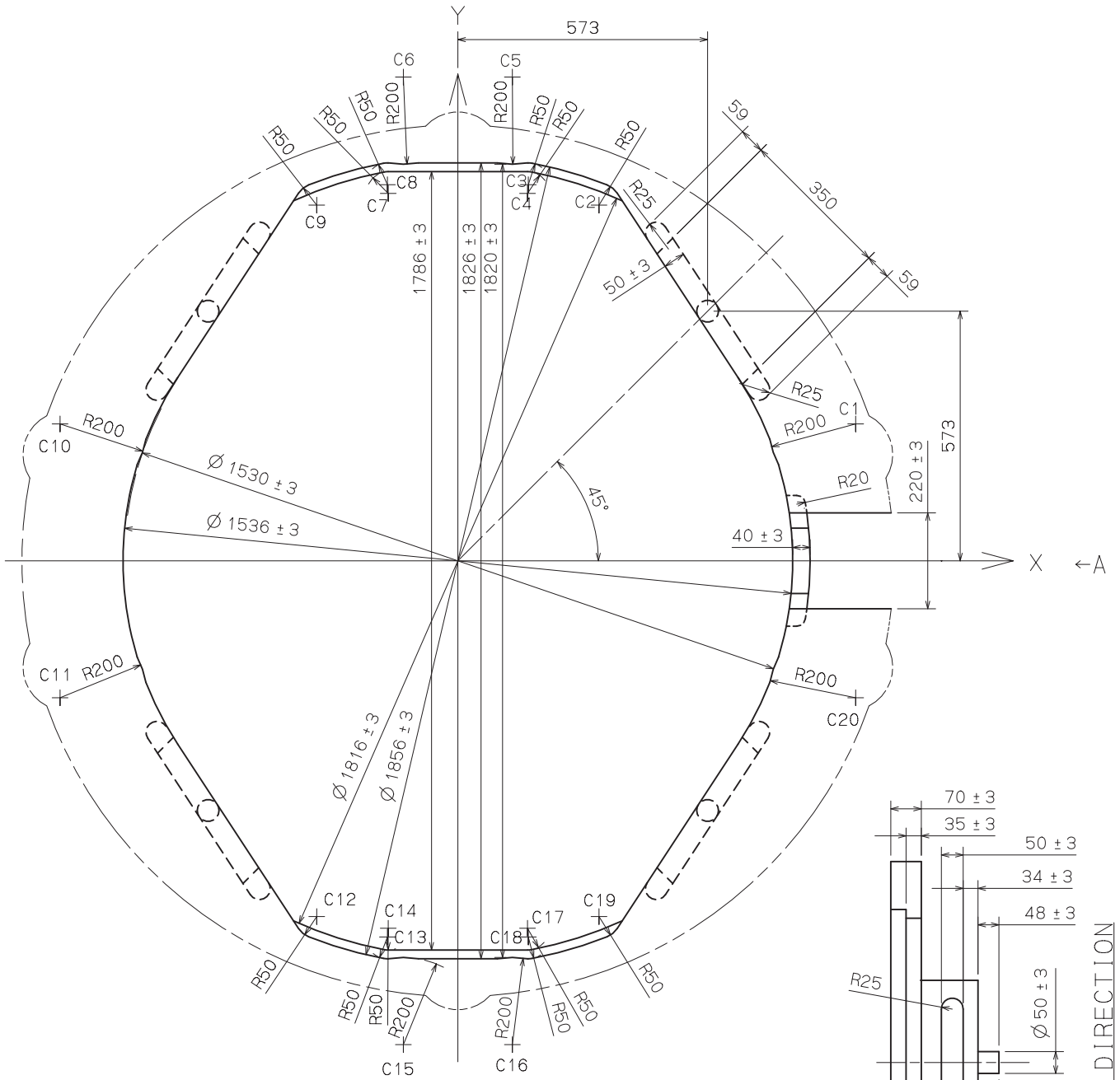
	Part No.	A	B
TYPE A	0351 333	1223	1796



	TYPE M	TYPE L
A	40	85

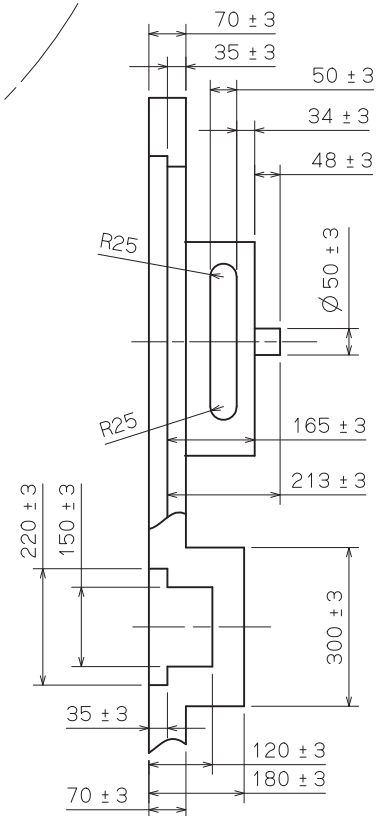
Casing Ring

VJ20C



No.	X	Y
C1	912.44	314.13
C2	323.72	816.14
C3	161.60	863.00
C4	159.73	843.00
C5	125.00	1110.00
C6	-125.00	1110.00
C7	-159.73	843.00
C8	-161.60	863.00
C9	-323.72	816.14
C10	-912.44	314.13

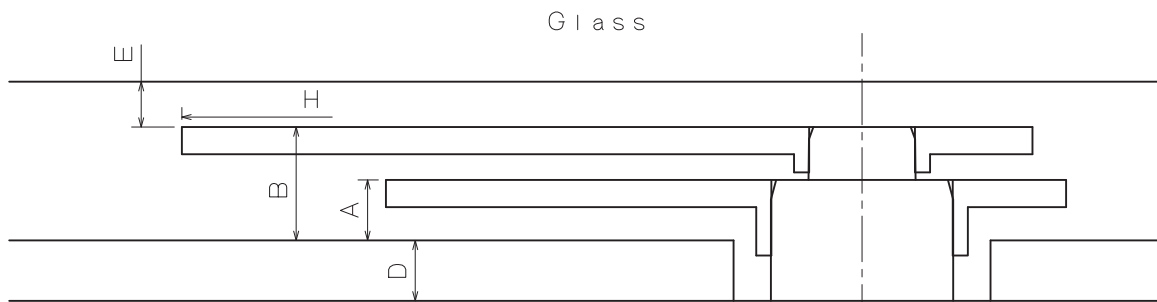
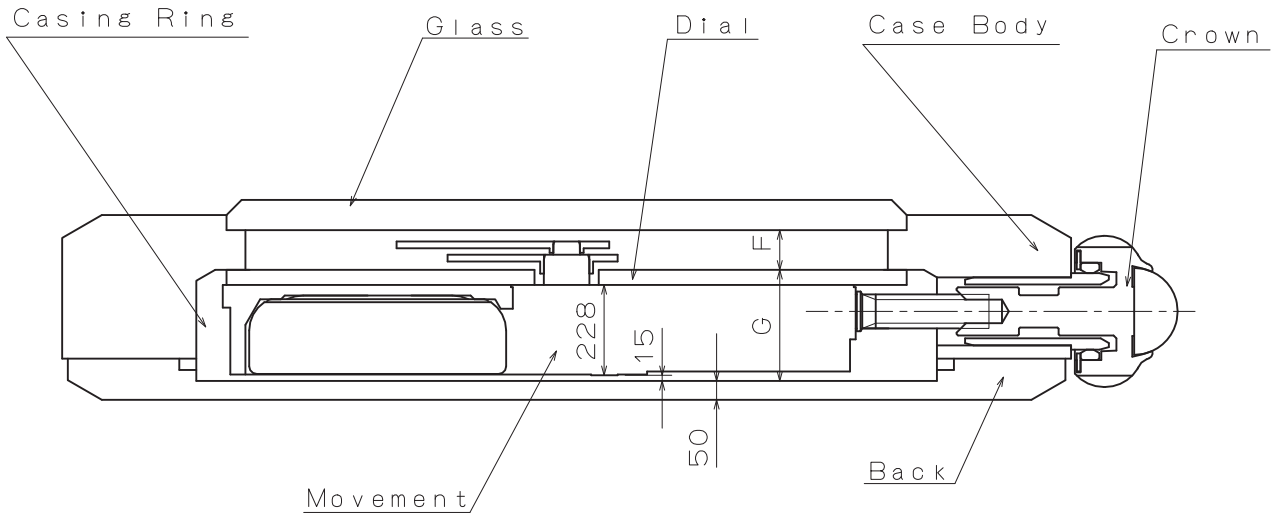
No.	X	Y
C11	-912.44	-314.13
C12	-323.72	-816.14
C13	-161.60	-863.00
C14	-159.73	-843.00
C15	-125.00	-1110.00
C16	125.00	-1110.00
C17	159.73	-843.00
C18	161.60	-863.00
C19	323.72	-816.14
C20	912.44	-314.13



SIDE VIEW from A DIRECTION

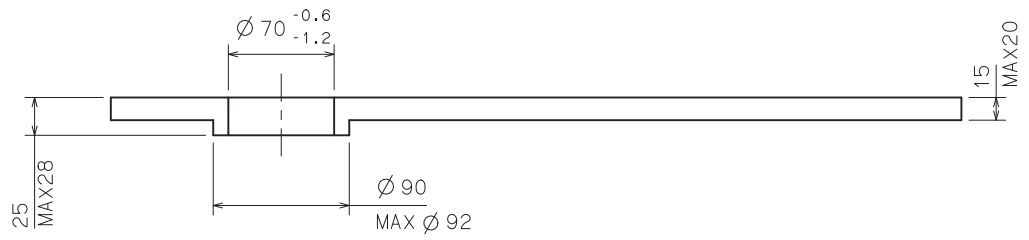
Unit : 1=1/100mm

Version : 1



	A	B	D	E	F	G	H
TYPE M	40	75	40	30	105	283	∅ 2500
TYPE L	40	89	85	30	109	328	∅ 2500

MINUTE



HOUR

