

Watch Movement Specification and Drawing

Slim / Small Movement

VJ55B



Movement Size: **12½"**
 Diameter: **Φ28.60mm**
 Height: **2.94mm**

Items	Ver.	Items	Ver.
Specification	1		
Appearance - 1	1		
Appearance - 2	1		
Casing	1		
Hand Fitting	1		
Hand Setting Stem	1		
Dial - 1	1		
Dial - 2	1		
Casing Ring	1		
Assembly Plan	1		
Hands	1		

CAL.VJ55B 12½ Ligne Quartz Movement

Three Hands with Date & Wide Day

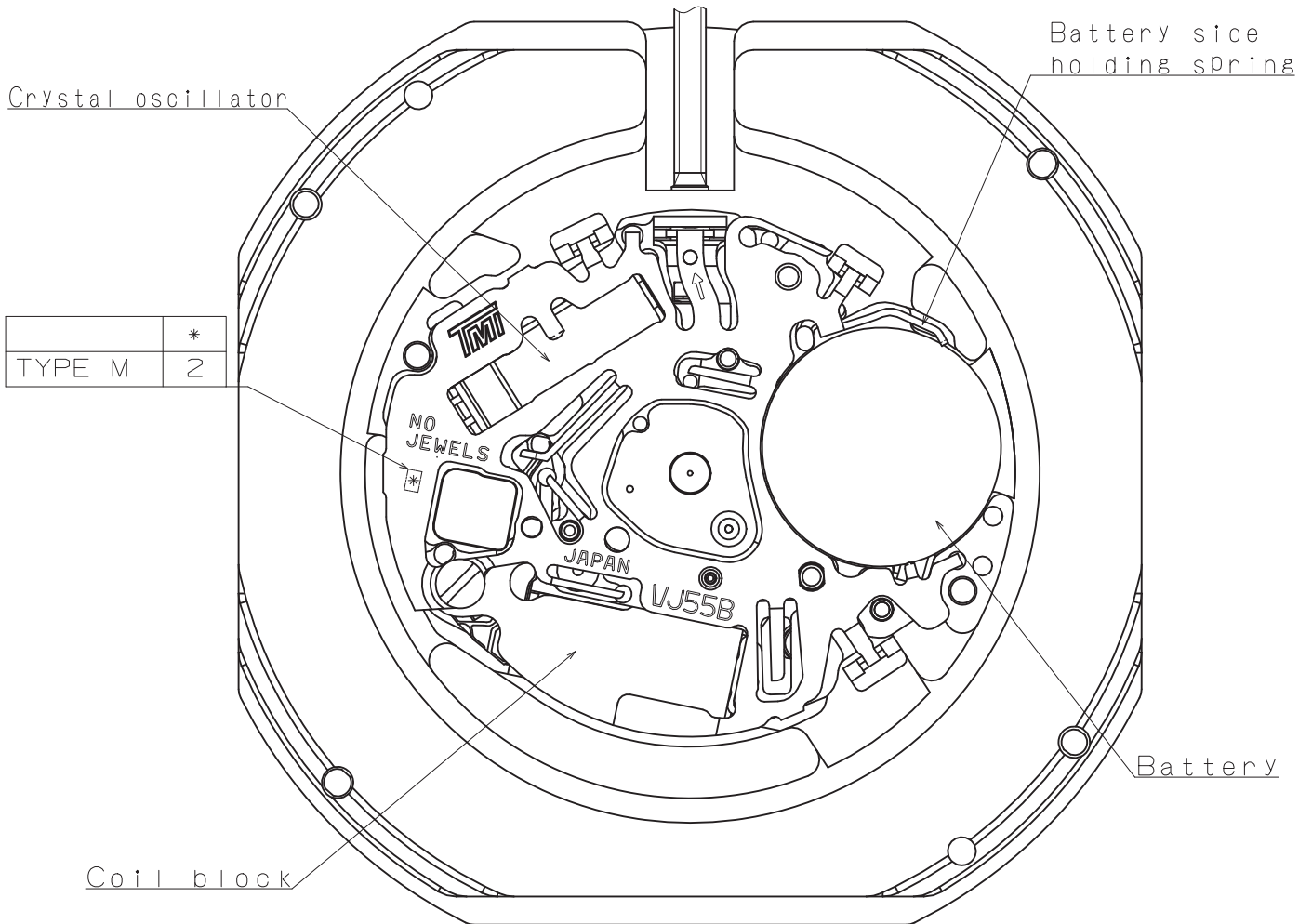
1. FUNCTION

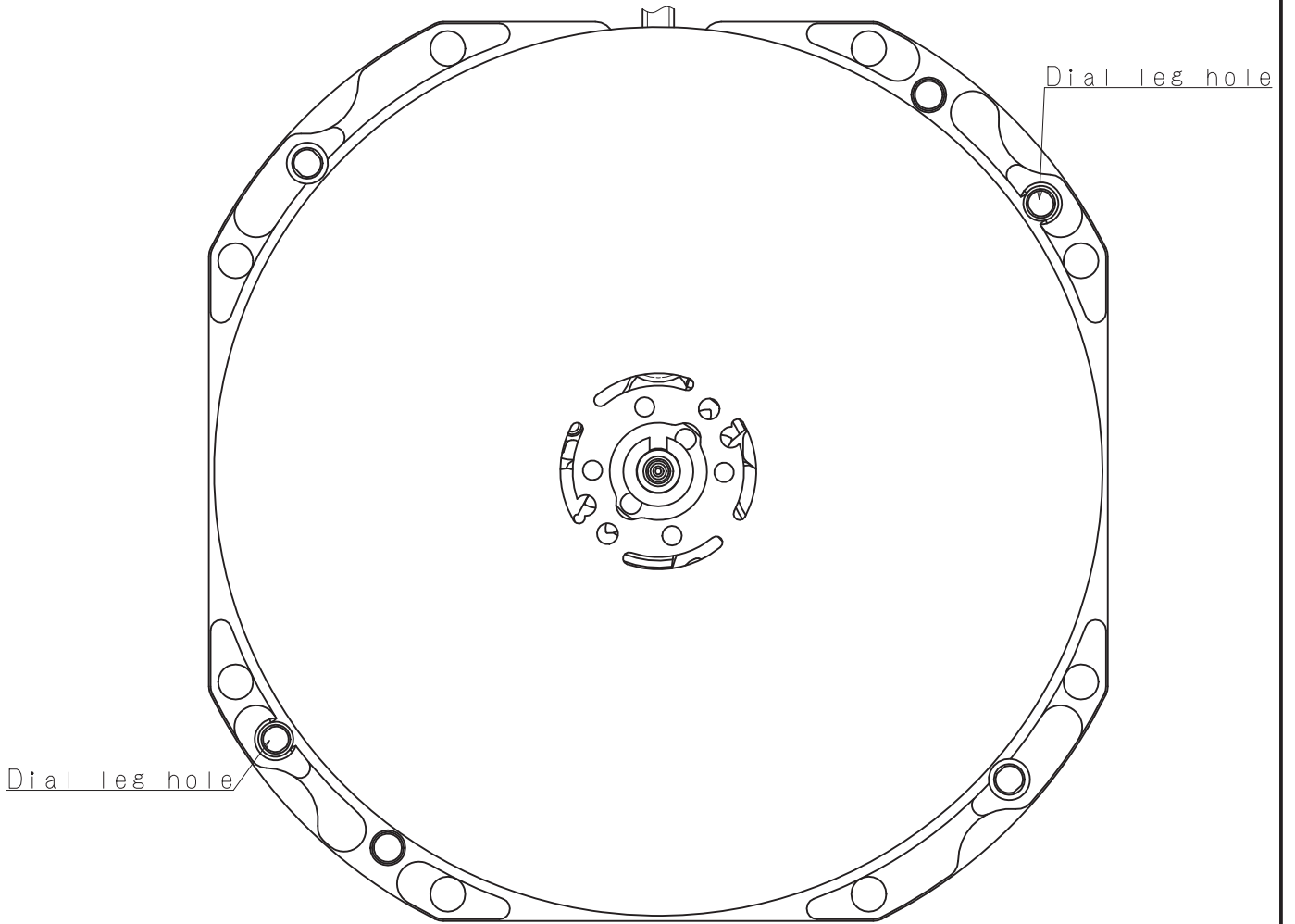
- | | |
|------------------------------|---|
| · Jewel | 0 jewel |
| · Accuracy | Less than ± 20 seconds / month (Normal temperature range) |
| · Battery life | Approx. 3 years |
| · Regulation hands unbalance | Hour hand : Less than $0.30 \mu\text{N}\cdot\text{m}$ (30 mg·mm)
Minute hand : Less than $0.30 \mu\text{N}\cdot\text{m}$ (30 mg·mm)
Second hand : Less than $0.07 \mu\text{N}\cdot\text{m}$ (7 mg·mm) |
| · Additional function | Date & Wide Day display with quick date & day correction |

2. USE AND TEST CONDITION

- | | | |
|-------------------------------|--|------------------------------------|
| · Battery | SR621SW | (Recommended battery is SEIZAIKEN) |
| · Operation temperature range | From $-5\text{ }^{\circ}\text{C}$ to $+50\text{ }^{\circ}\text{C}$ | |
| · Antimagnetic | $\geq 1600\text{ A/m}$ | (Direct current magnetic field) |
| · Test of accuracy | 10 seconds | (Duration of measurement) |

*** All specifications are subject to change without notice.**





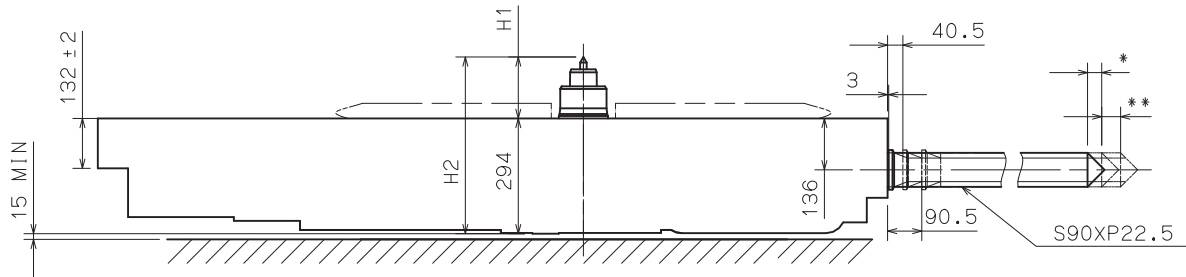
Casing

VJ55B

Battery Side holding spring Type.

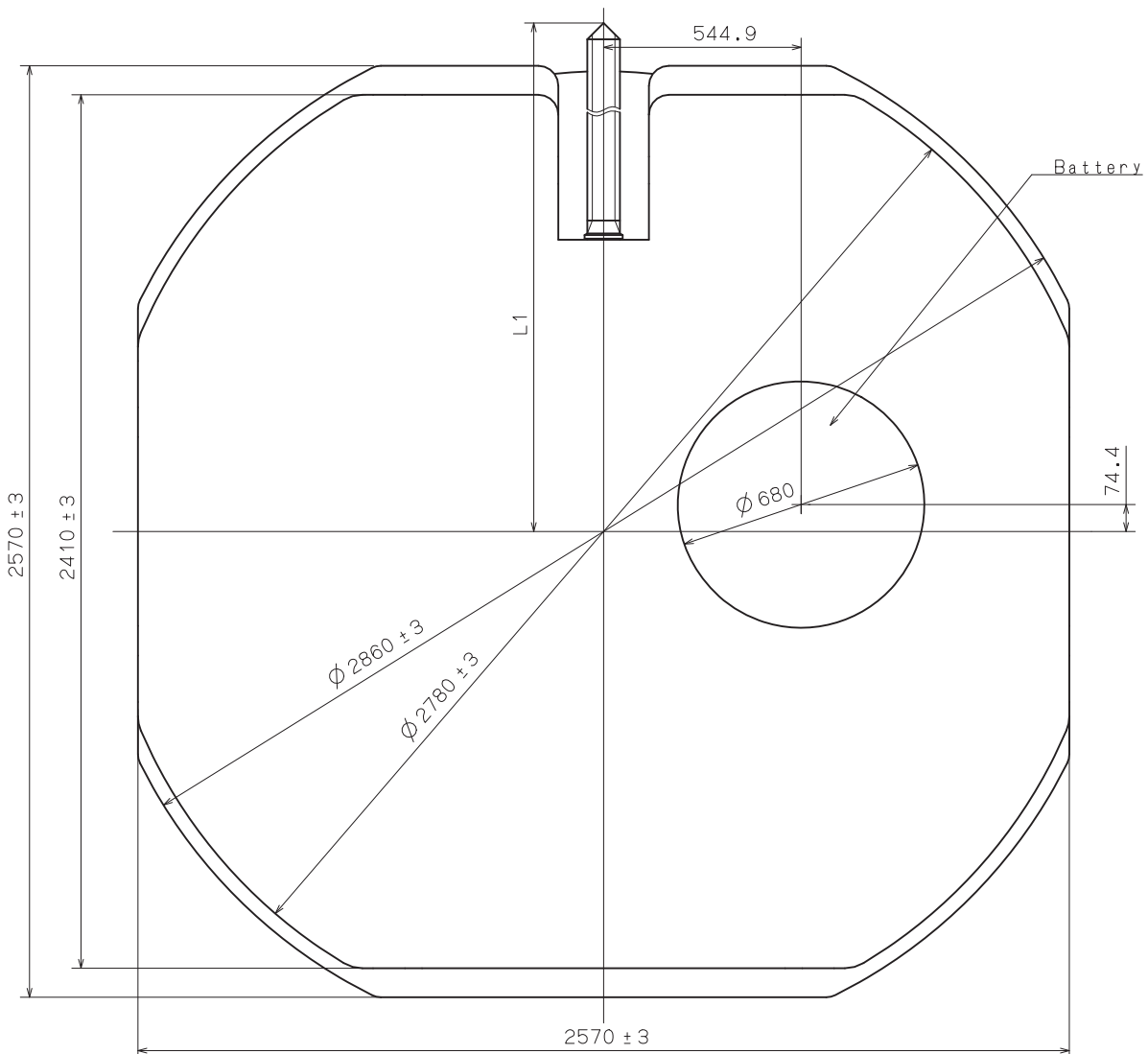
* First Pull out Stroke 37.5

** Second Pull out Stroke 50



Center post	中心柱位	TYPE M
		一般針高
Maximum height from main plate surface		
與機芯平面的最大高度	H1	162.7
Total height incl. movement		
機芯總高度	H2	456.7

Hand Setting Stem	TYPE A
L1	2413



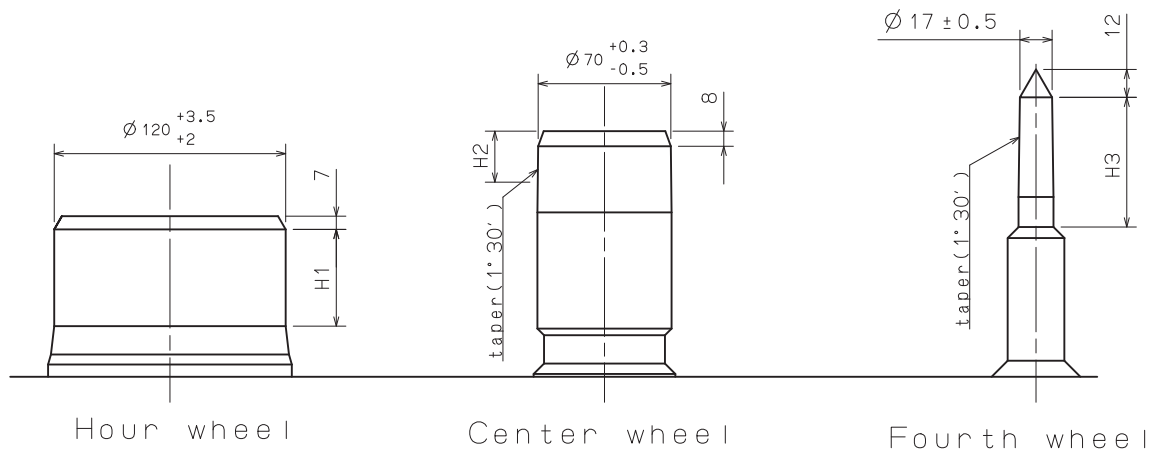
Unit : 1=1/100mm

Version : 1

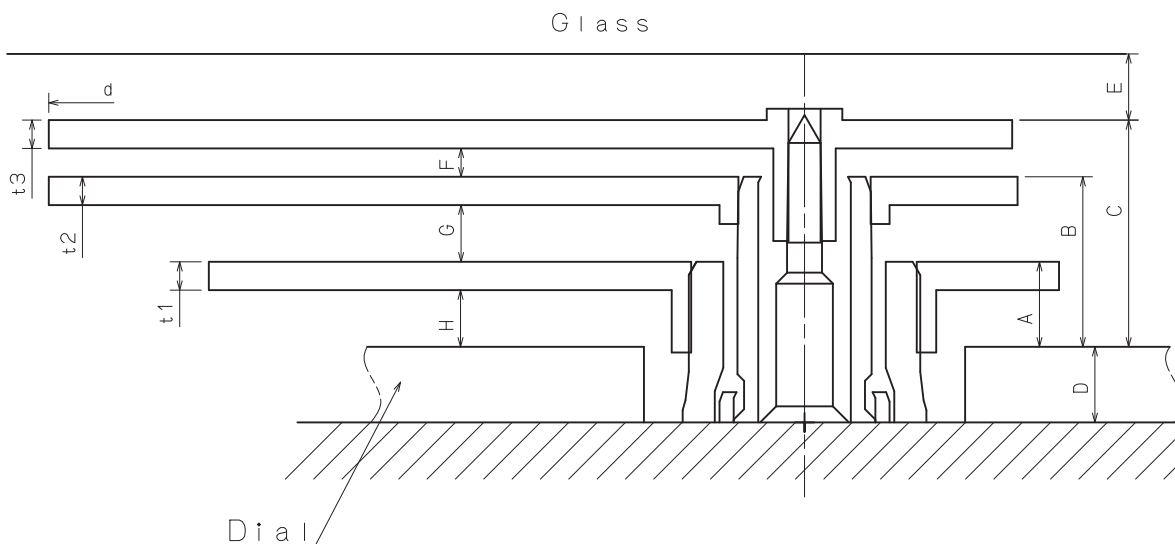
Hour hand unbalance $\leq 0.3\mu\text{N}\cdot\text{m}$ (30mg·mm)

Minute hand unbalance $\leq 0.3\mu\text{N}\cdot\text{m}$ (30mg·mm)

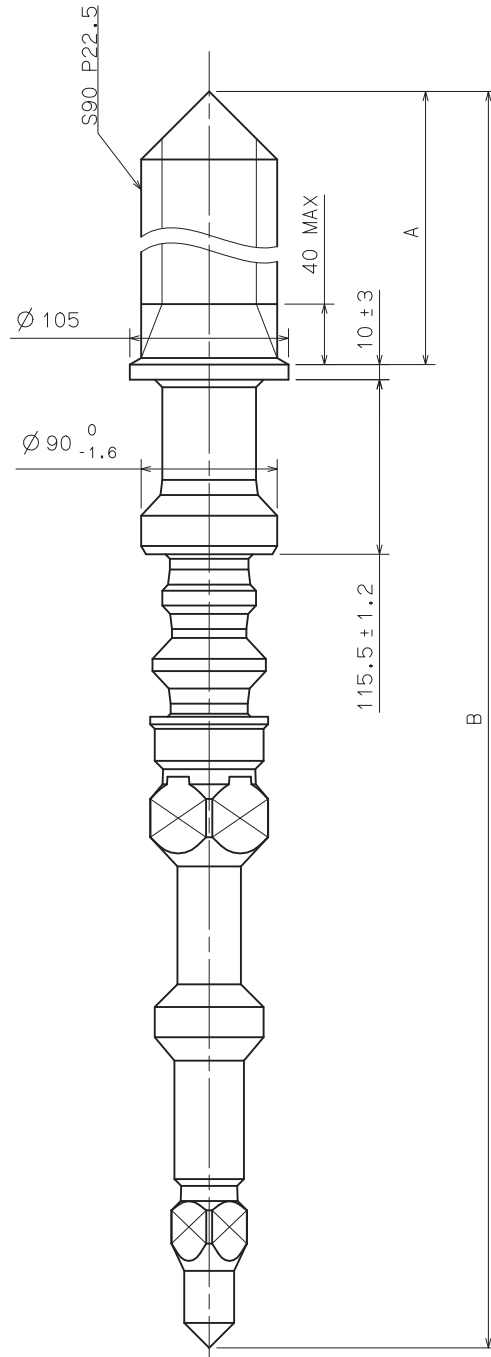
Second hand unbalance $\leq 0.07\mu\text{N}\cdot\text{m}$ (7mg·mm)



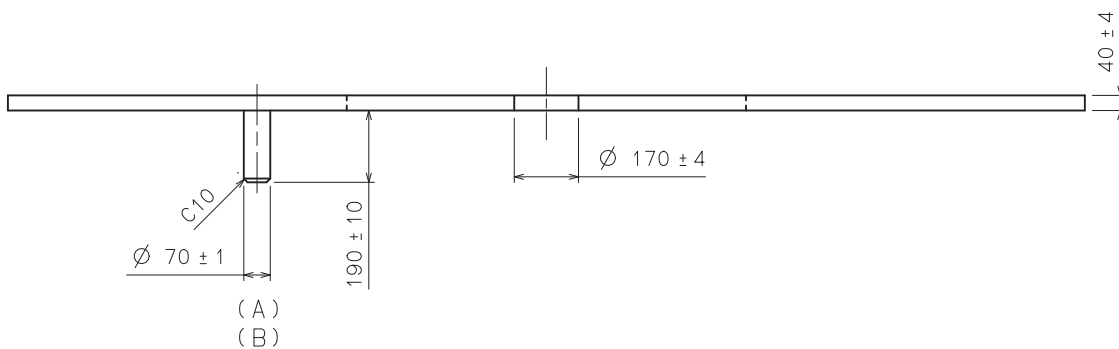
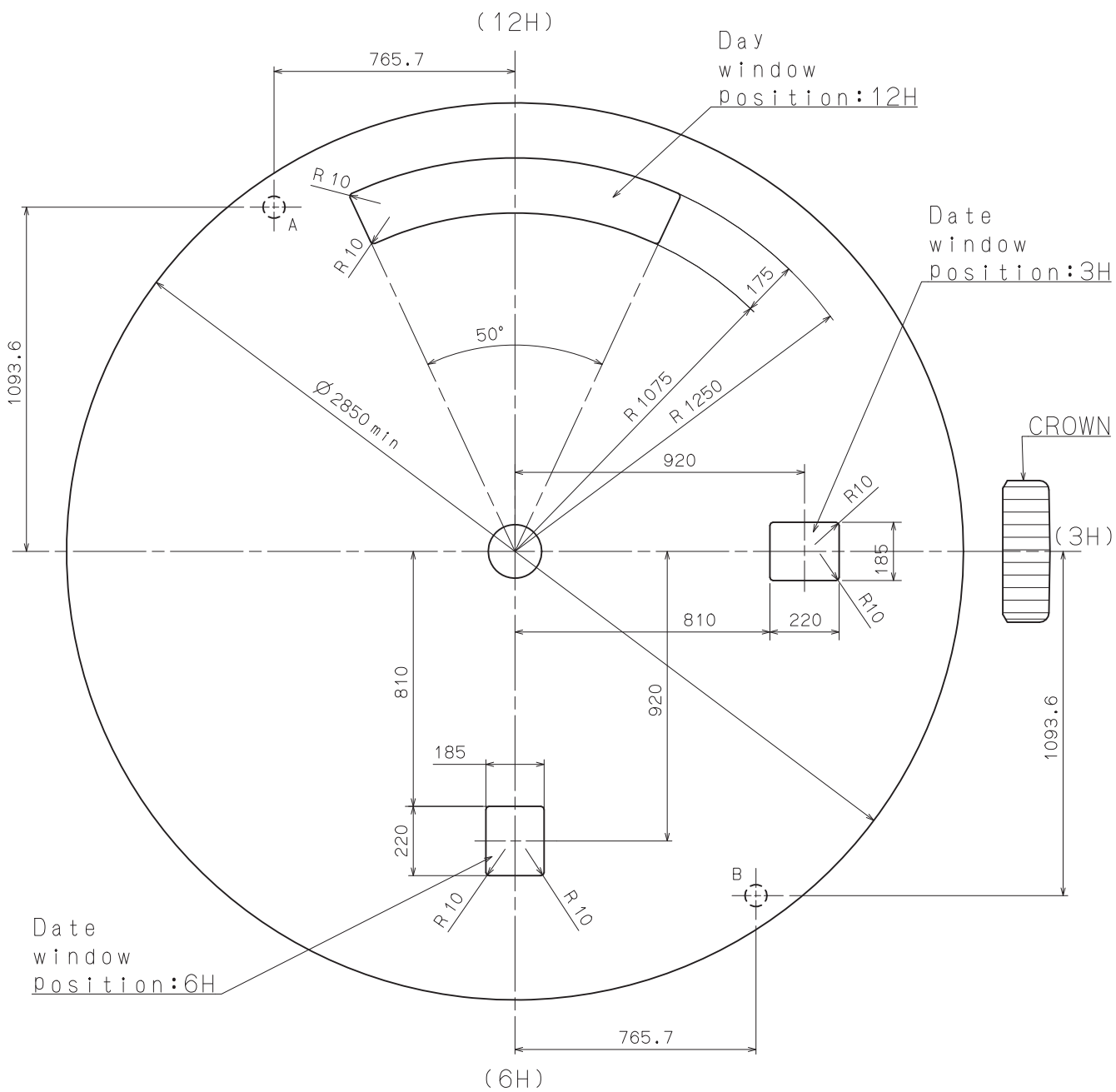
	Part No.			Dimension		
	Hour wheel 時針輪	Center wheel 分針輪	Fourth wheel 秒針輪	H1	H2	H3
TYPE M 一般針高	0273 017	0221 066	0144 125	51	27	69



	A	B	C	D	E	F	G	H	t1	t2	t3	d
TYPE M 一般針高	45	90	120	40	35	15	30	30	15	15	15	$\varnothing 2500\text{MAX}$



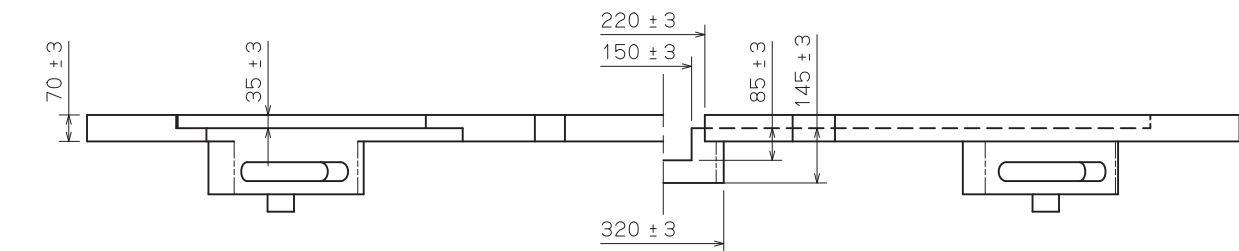
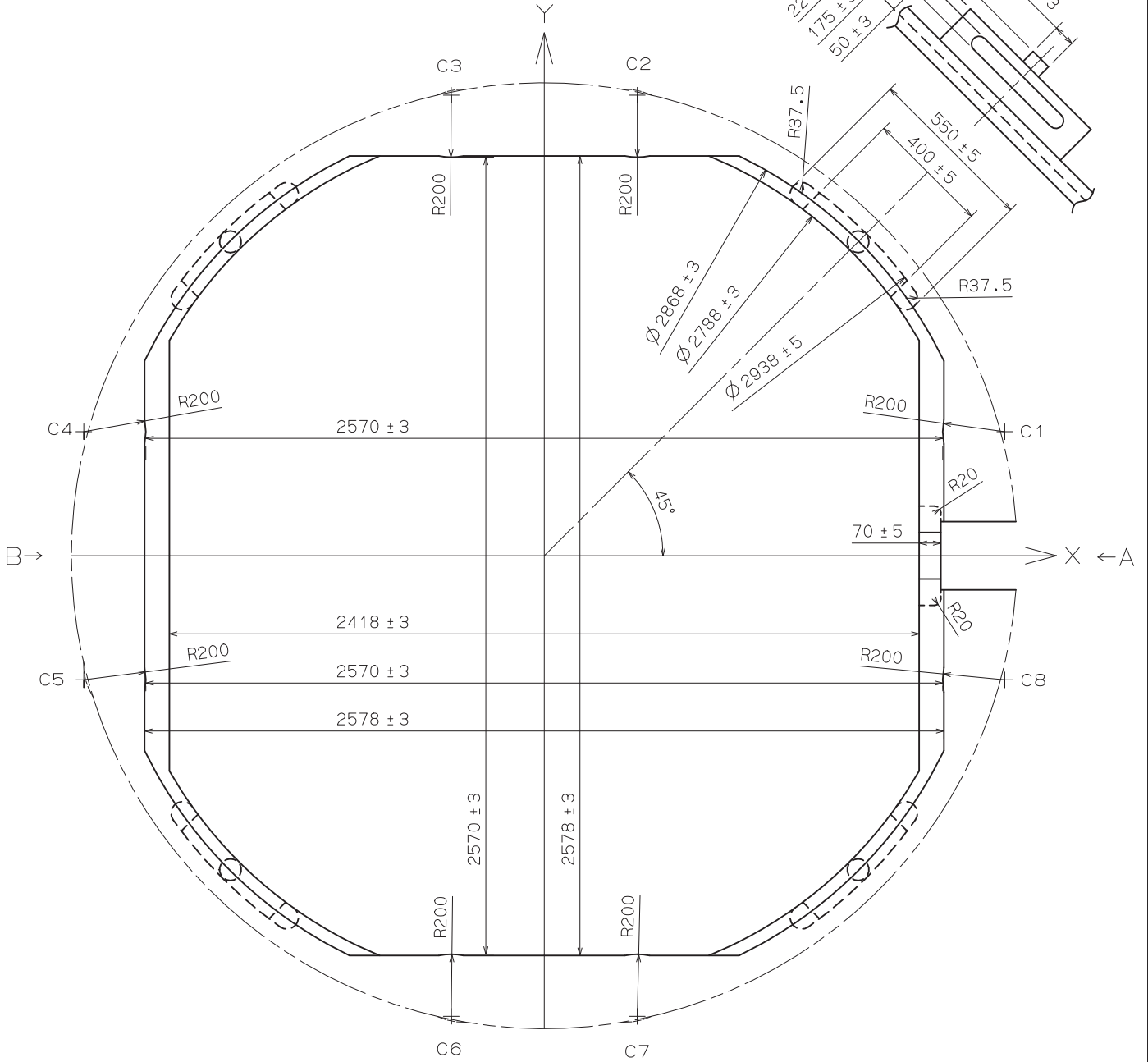
	Part No.	A	B
TYPE A	0351 001	1595	2245.5



Casing Ring

VJ55B

No.	X	Y	No.	X	Y
C1	1485.00	400.00	C5	-1485.00	-400.00
C2	300.00	1485.00	C6	-300.00	-1485.00
C3	-300.00	1485.00	C7	300.00	-1485.00
C4	-1485.00	400.00	C8	1485.00	-400.00



SIDE VIEW from B DIRECTION

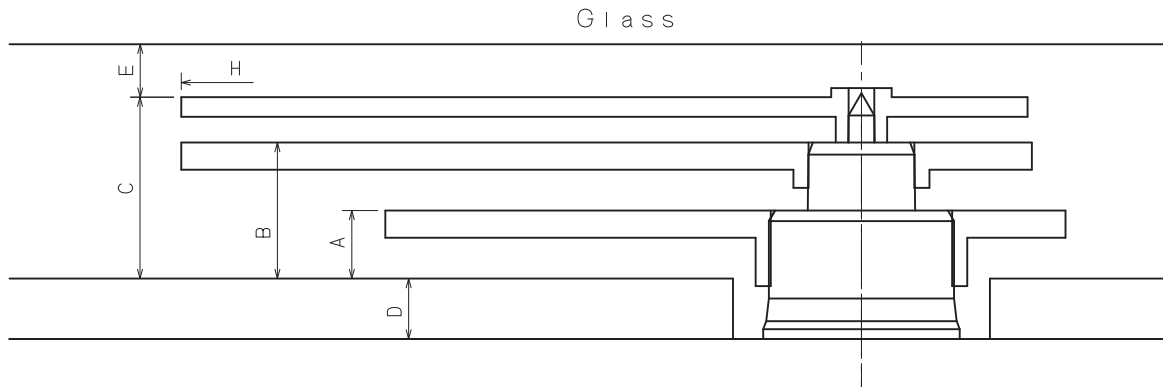
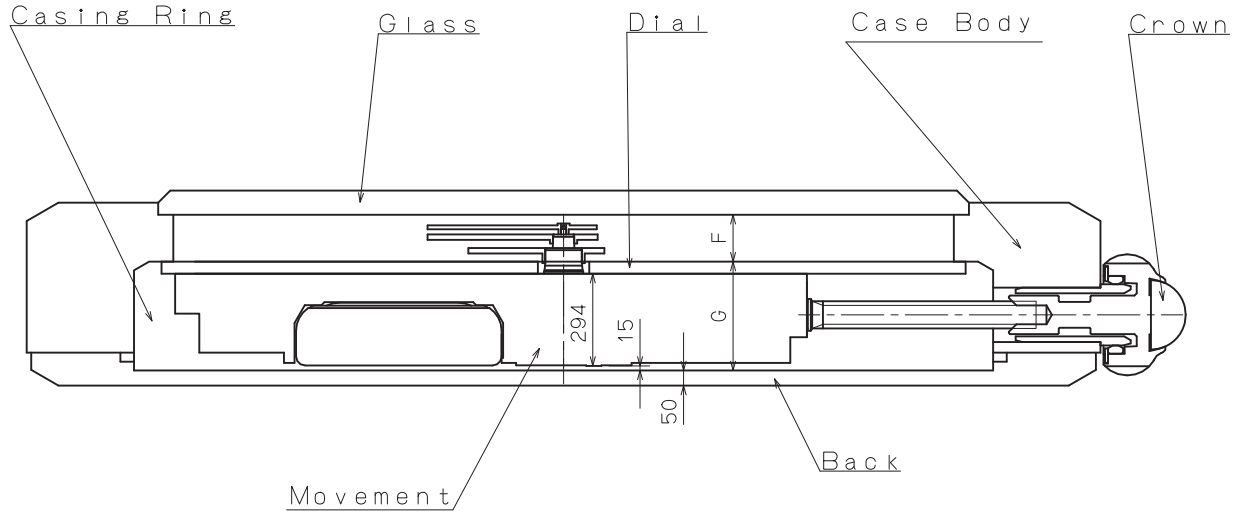
SIDE VIEW from A DIRECTION

Unit : 1=1/100mm

Version : 1

Assembly Plan

VJ55B

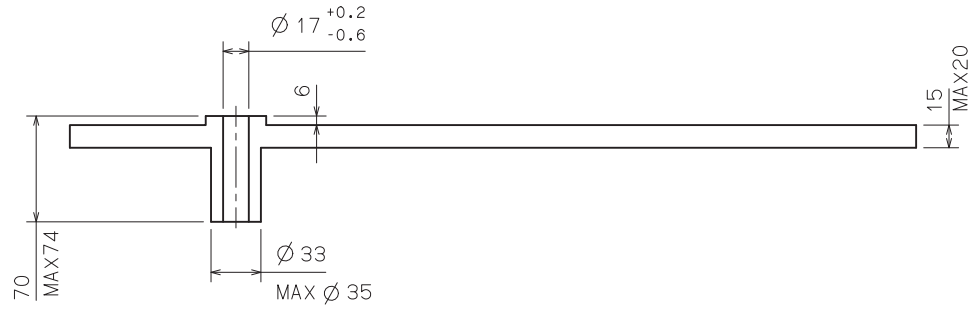


	A	B	C	D	E	F	G	H
TYPE M	45	90	120	40	35	155	349	∅ 2500MAX

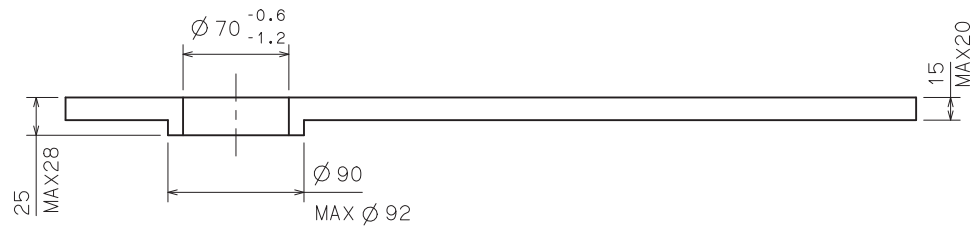
Unit : 1=1/100mm

Version : 1

SECOND



MINUTE



HOUR

