

Watch Movement Specification and Drawing

Sweep Second Multi-Eye

**VH68A**



Movement Size: **10 1/2"**  
 Diameter: **Φ23.70mm**  
 Height: **3.45mm**

Items	Ver.	Items	Ver.
Specification	1		
Appearance	1		
Casing	1		
Hand Fitting	1		
Hand Setting Stem	1		
Dial	1		
Casing Ring	1		
Assembly Plan	1		
Hands	1		

## CAL.VH68A 10½ Ligne Quartz Movement

### Three Hands ( 1/4 Center Second Hand ) with 3 eyes Small 24 Hour Indicator, Date & Day Hands

#### 1. FUNCTION

- Jewel 2 jewels
- Accuracy Less than  $\pm 15$  seconds / month (Normal temperature range)
- Battery life Approx. 2 years
- Regulation hands unbalance
  - Hour hand : Less than  $0.50 \mu\text{N}\cdot\text{m}$  ( 50 mg·mm )
  - Minute hand : Less than  $0.80 \mu\text{N}\cdot\text{m}$  ( 80 mg·mm )
  - Second hand : Less than  $0.30 \mu\text{N}\cdot\text{m}$  ( 30 mg·mm )
  - Small hands : Less than  $0.10 \mu\text{N}\cdot\text{m}$  ( 10 mg·mm )  
(Date, day & 24 hour indicator hands)
- Additional function
  - Date & Day display with quick date correction
  - 24 hour indicator (Synchronized regular hour hand)

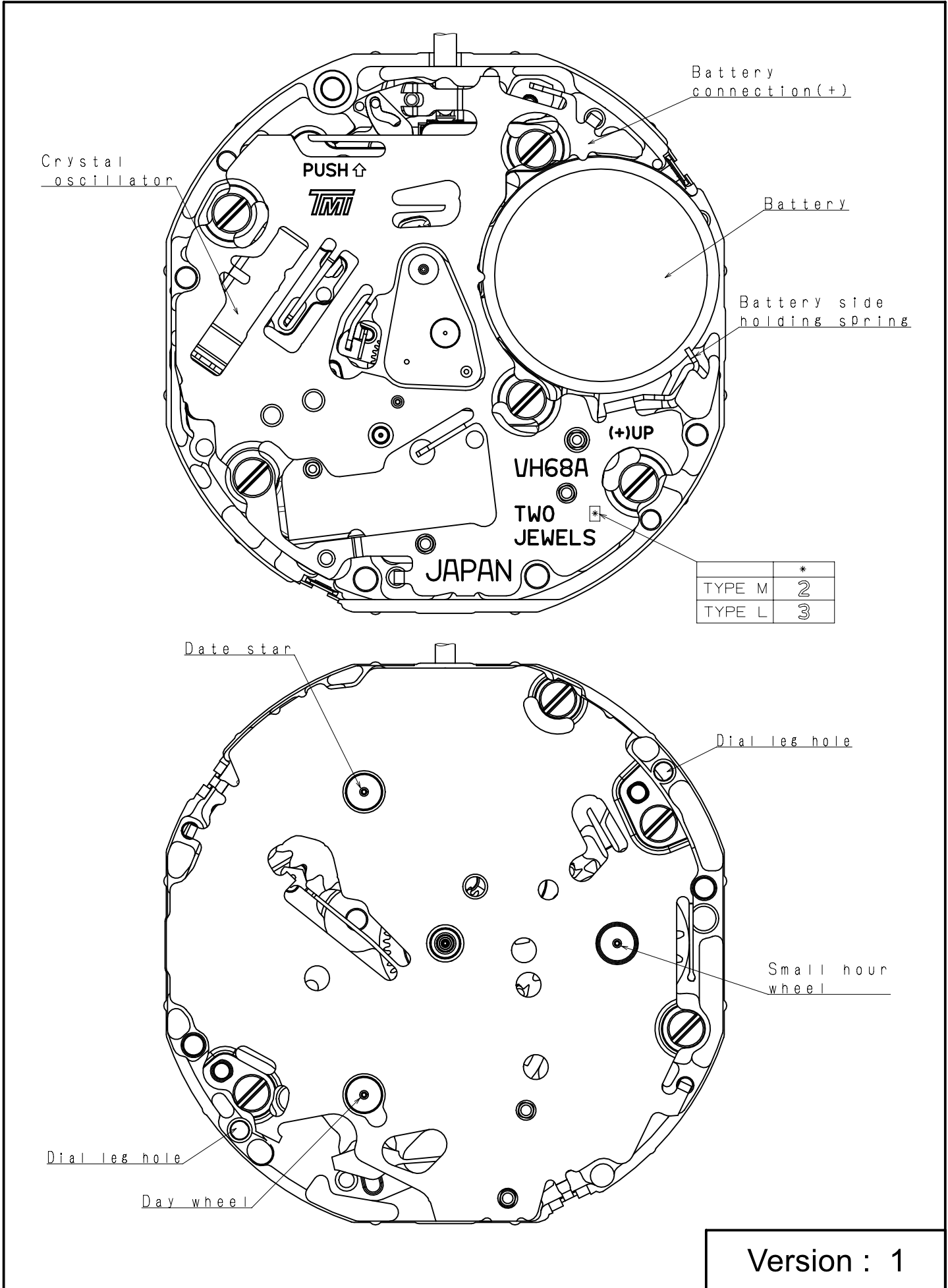
#### 2. USE AND TEST CONDITION

- Battery SR920SW (Recommended battery is SEIZAIKEN)
- Operation temperature range From  $- 5 \text{ }^{\circ}\text{C}$  to  $+ 50 \text{ }^{\circ}\text{C}$
- Antimagnetic  $\geq 1600 \text{ A / m}$  (Direct current magnetic field)
- Test of accuracy 10 seconds (Duration of measurement)

**\* All specifications are subject to change without notice.**

# Appearance

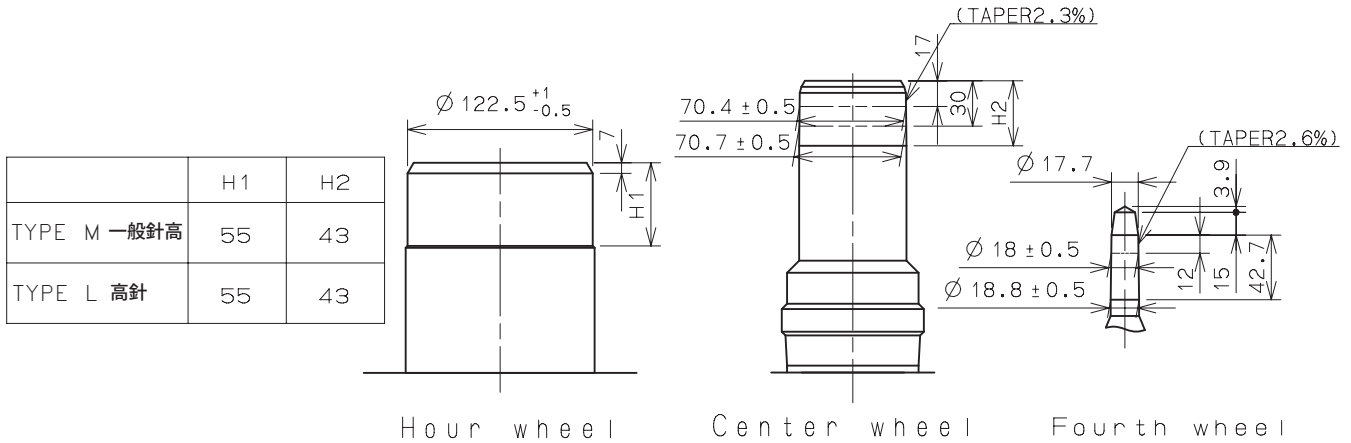
# VH68A



Version : 1

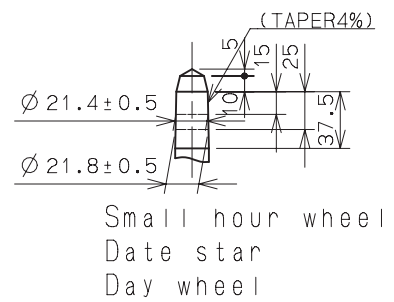


- \* Hour hand unbalance  $\leq 0.5 \mu\text{N}\cdot\text{m}$  (50mg·mm)
- \* Minute hand unbalance  $\leq 0.8 \mu\text{N}\cdot\text{m}$  (80mg·mm)
- \* Second hand unbalance  $\leq 0.3 \mu\text{N}\cdot\text{m}$  (30mg·mm)
- \* Small hour hand unbalance  $\leq 0.1 \mu\text{N}\cdot\text{m}$  (10mg·mm)
- \* Date hand unbalance  $\leq 0.1 \mu\text{N}\cdot\text{m}$  (10mg·mm)
- \* Day hand unbalance  $\leq 0.1 \mu\text{N}\cdot\text{m}$  (10mg·mm)

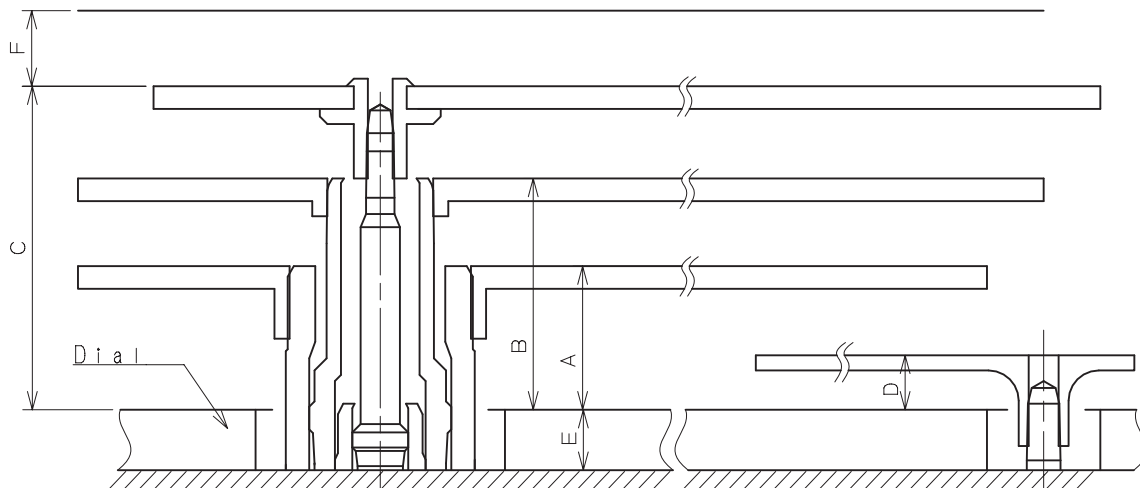


	H1	H2
TYPE M 一般針高	55	43
TYPE L 高針	55	43

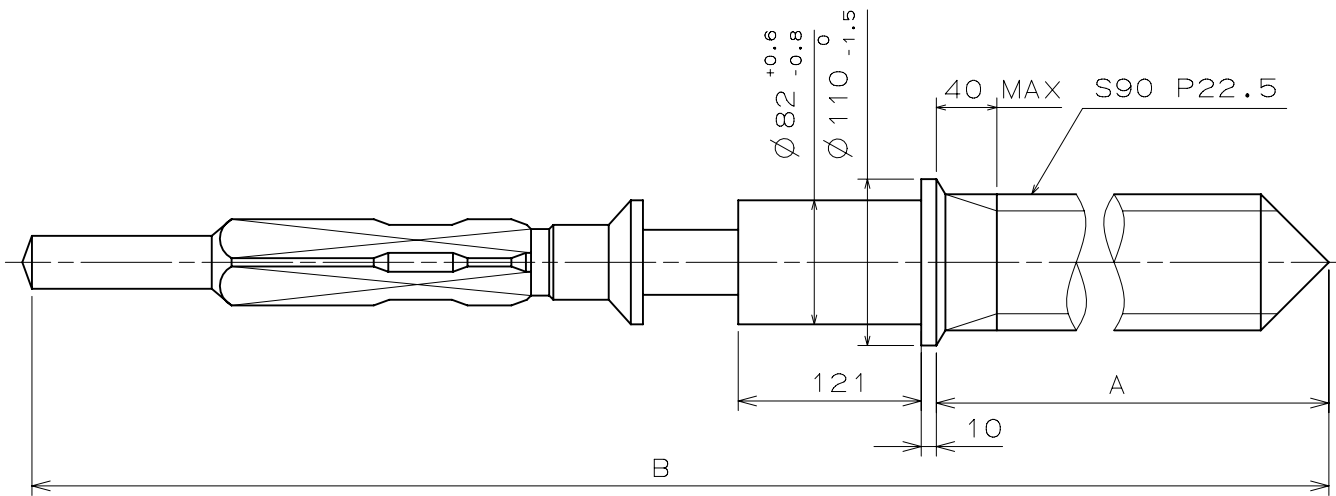
Part name		Part No.	
		TYPE M 一般針高	TYPE L 高針
Hour wheel	時針輪	0273 043	0273 045
Center wheel	分針輪	0221 089	0221 093
Fourth wheel	秒針輪	0144 004	0144 005
Date star	日曆針輪	0970 004	0970 005
Small hour wheel	小時針輪	0157 018	0157 019
Day wheel	星期針輪	1019 010	1019 011



Mineral glass



	A	B	C	D	E	F
TYPE M 一般針高	95	153	214	36	40	50
TYPE L 高針	105	163	224	46	85	50

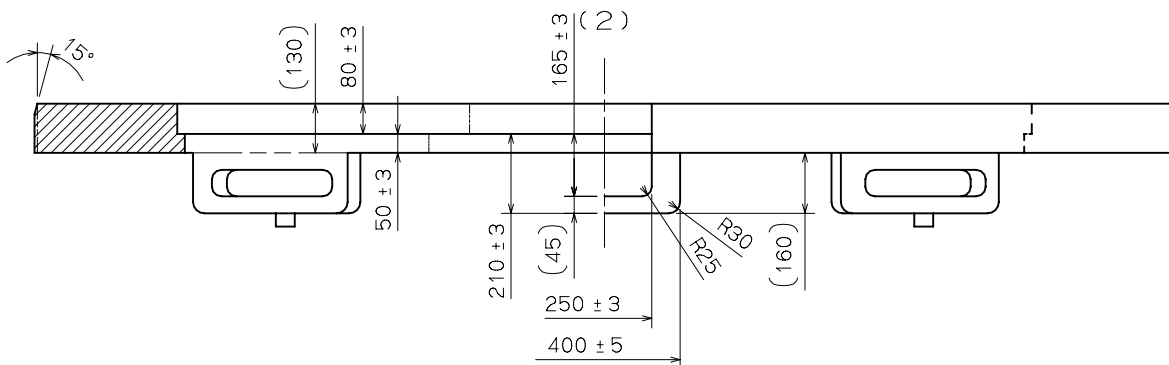
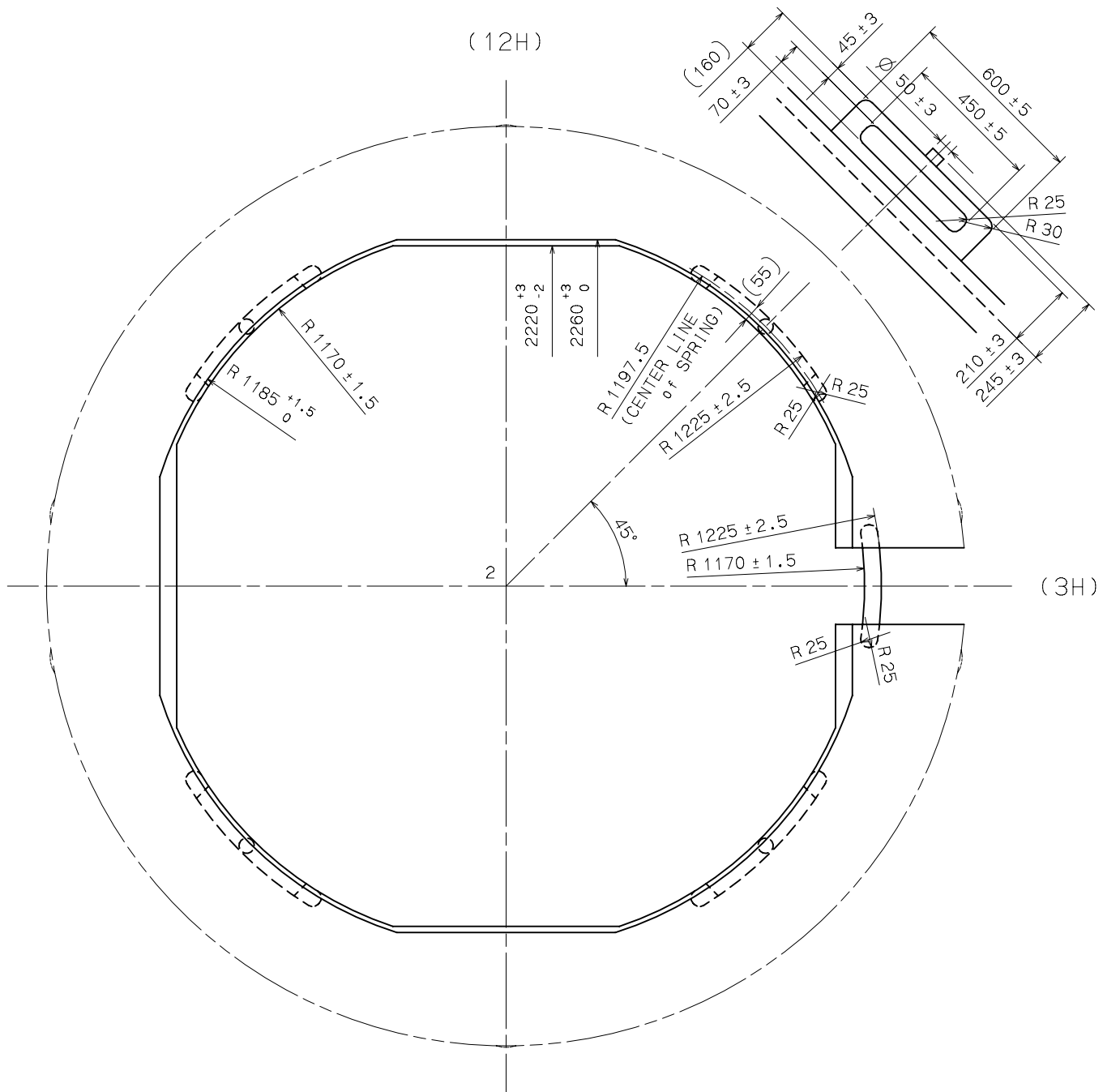


	Part No.	A	B
TYPE A	0351 177	1371	1969
TYPE B	0351 122	1947	2545



# Casing Ring

VH68A



SECTIONAL VIEW of 12H DIRECTION

SIDE VIEW from 3H DIRECTION

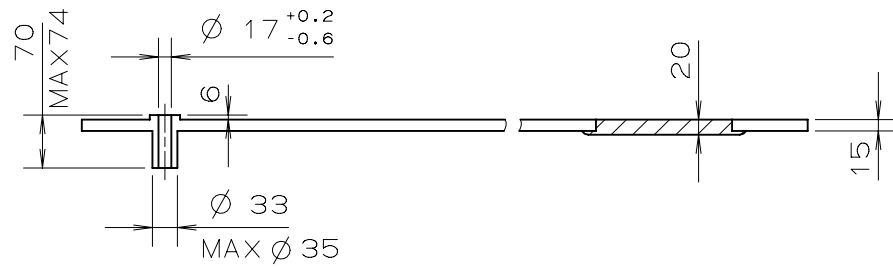
Unit : 1=1/100mm

Version : 1

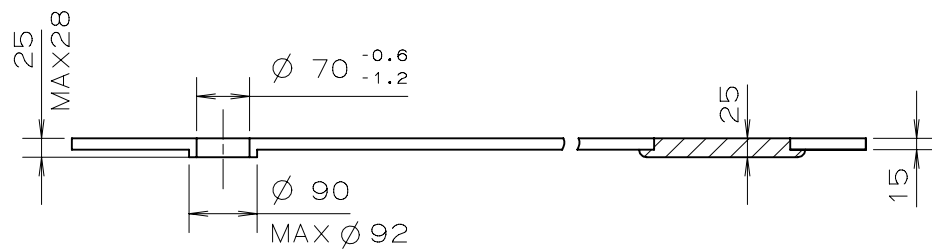




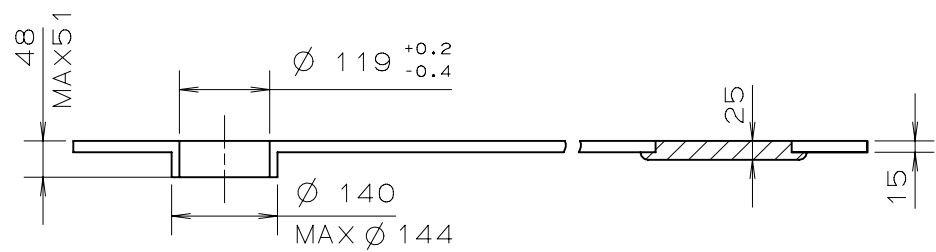
SECOND



MINUTE



HOUR



SMALL HOUR  
DAY  
DATE

