

F

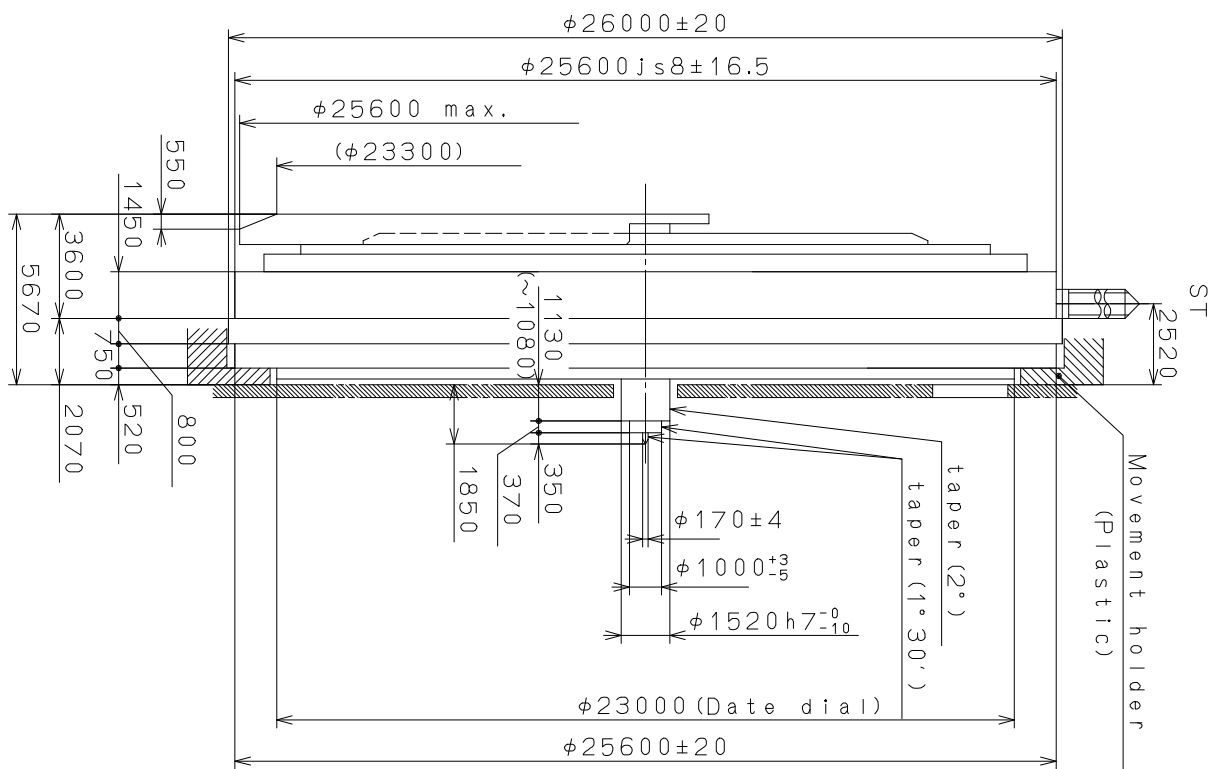
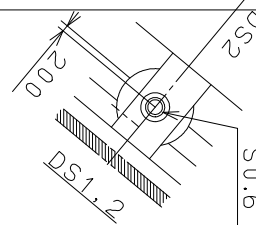
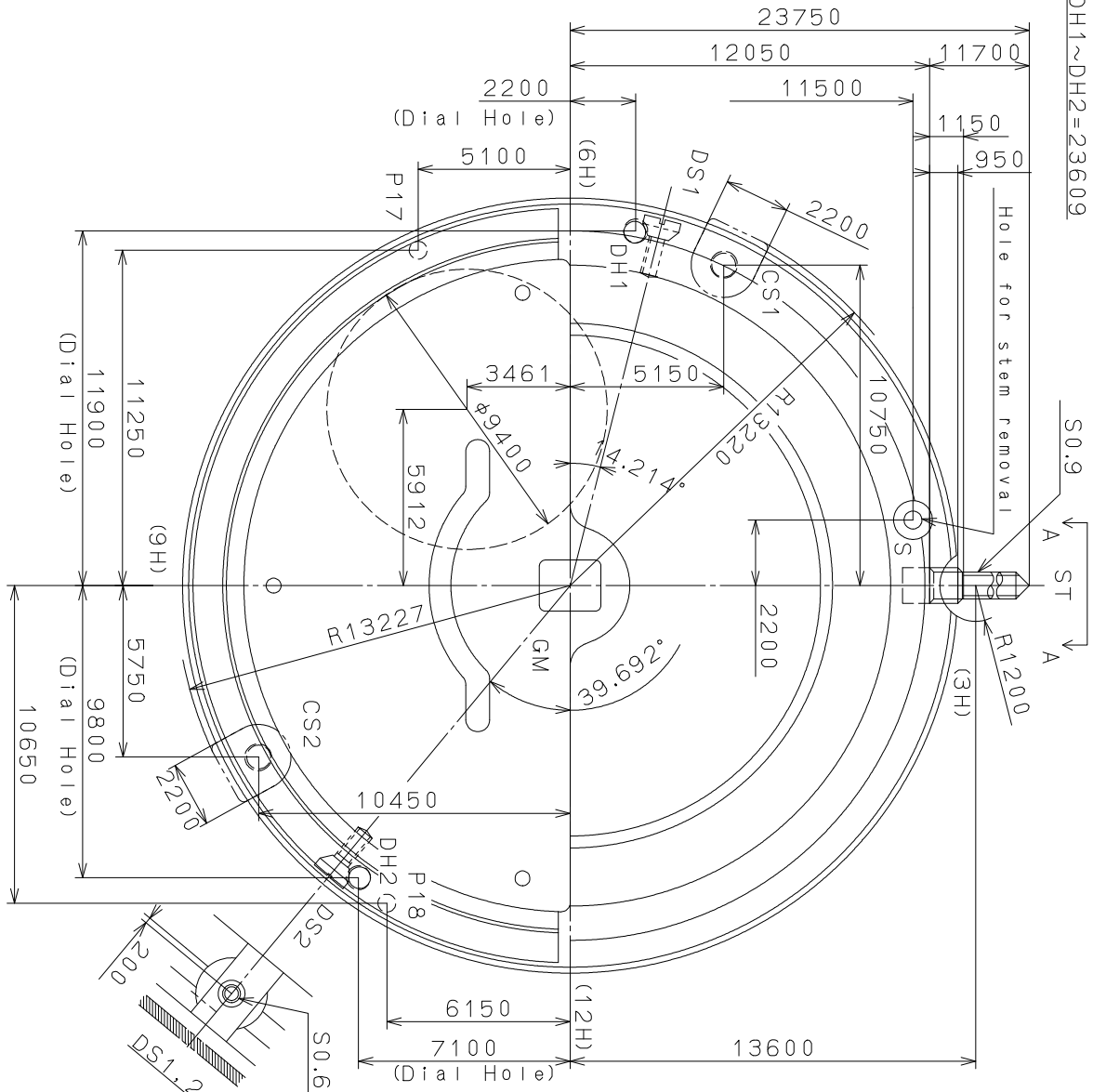
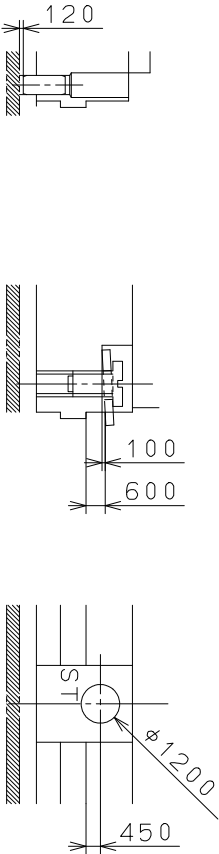
E

D

C

B

A

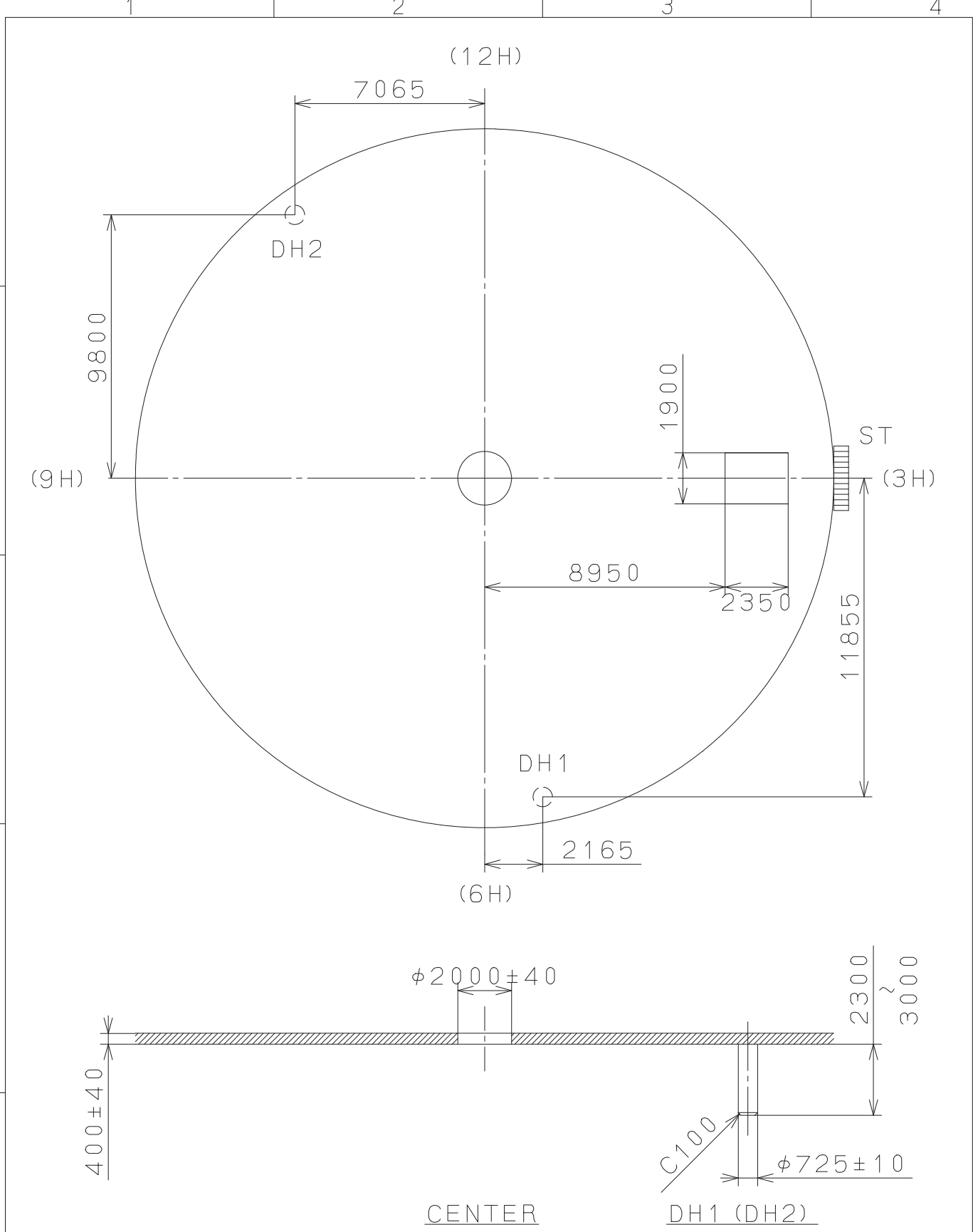


Quantity	1/1000 mm	Cal. No.:	8215
Unit		Parts No.:	
Scale	6 : 1	Name:	Frame for Case
Date		Material	
Drawn		Alterations	
Checked	M. Kobayashi	Description	
Approved		Appr.	
General Tolerances		Material	
Dimensions		Heat Treatment	
Angles		Hardness	
		Plating	

MIYOTA

CITIZEN WATCH CO., LTD. TOKYO, JAPAN

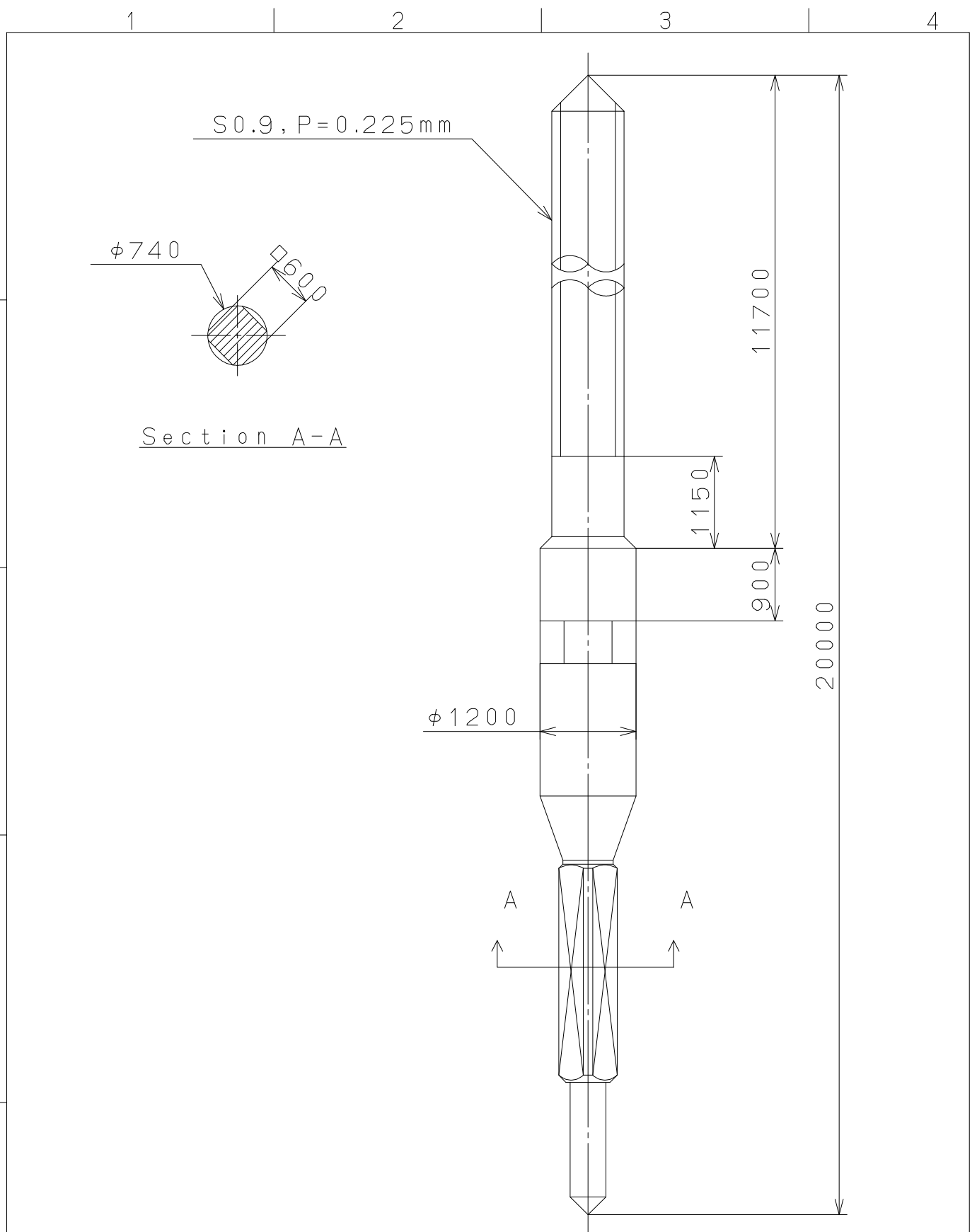
This drawing is provisional and subject to our reconfirmation and/or revision without notice.



△5			Quantity		Cal. NO.: 8215 (3H)
△4			Unit	1 / 1000 mm	
△3			Scale	5 : 1	Parts No.:
△2			Date		
△1			Drawn		
Mark	Date	Description	Appr.	Checked	M. Kobayashi
Alterations			Approved	Name:	
Material					Indications for Dial
Heat Treatment					Drawing No.: 821AD000
Hardness			General Tolerances		MIYOTA
Plating			Dimensions		
			Angles		
CITIZEN WATCH CO., LTD. TOKYO, JAPAN					

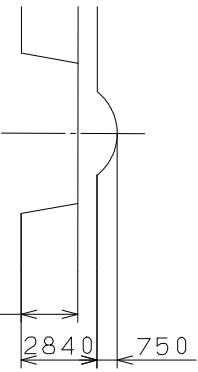
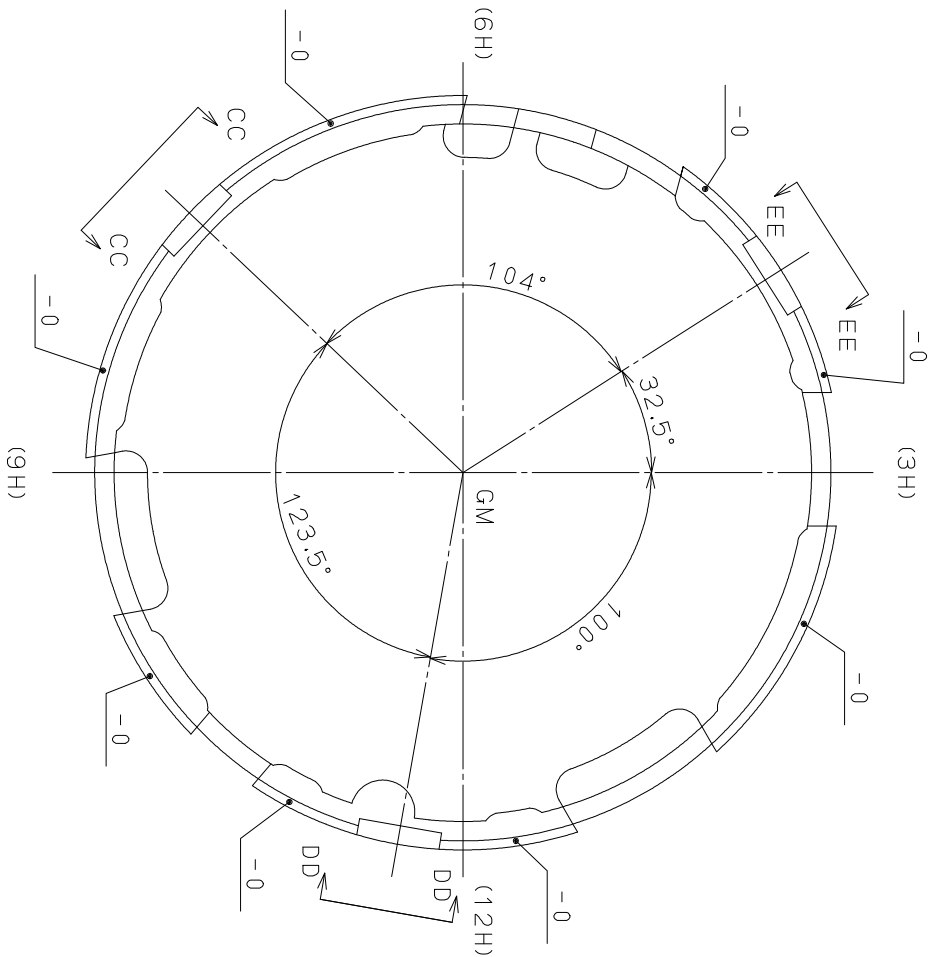
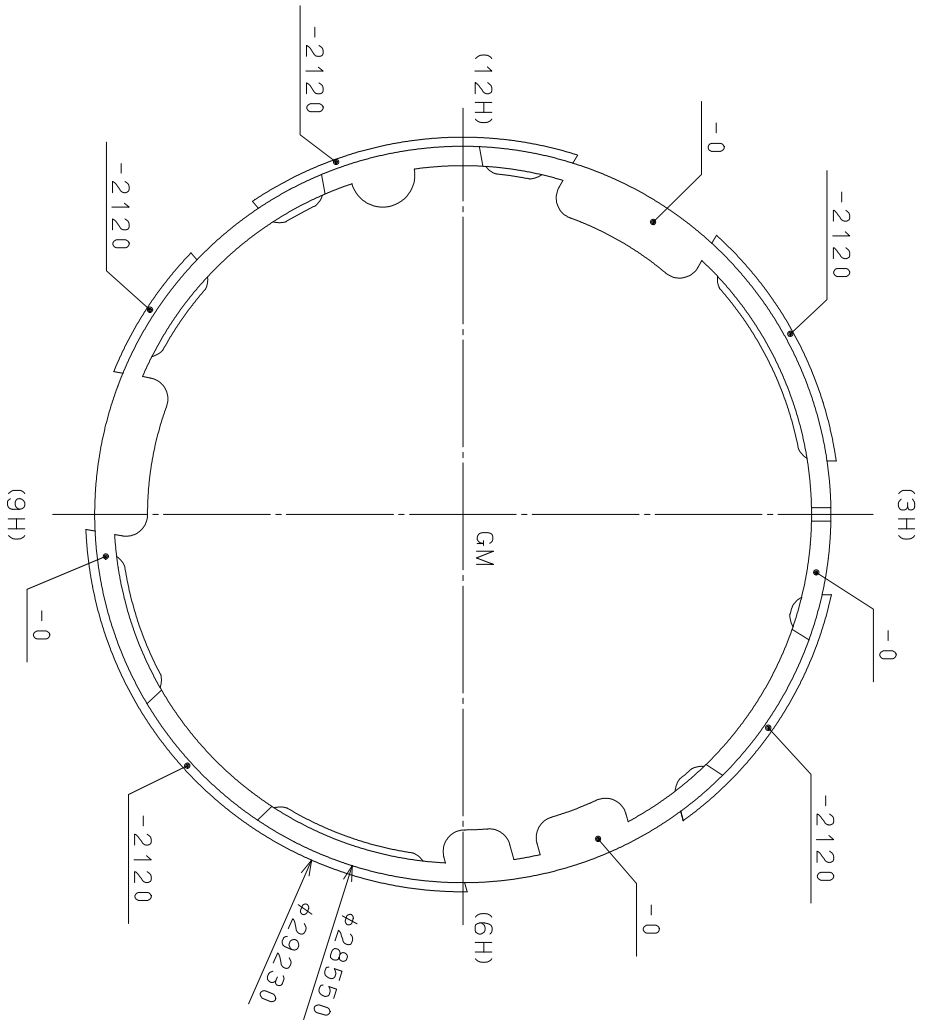
2008/11/14 (11:30:42)

This drawing is provisional and subject to our reconfirmation and/or revision without notice.



⑤			Quantity		Cal.NO.:
④			Unit	1/1000mm	
③			Scale	15:1	Parts No.:
②			Date		065-212
①			Drawn		
Mark	Date	Description	Appro.	Checked	Name:
		Alterations	Approved	N. Suzuki	SETTING STEM
Material					Drawing No.:2120S001
Heat Treatment			General Tolerances	MIYOTA CITIZEN WATCH CO.,LTD. TOKYO,JAPAN	
Hardness			Dimensions		
Plating			Angles		

This drawing is provisional and subject to our reconfirmation and/or revision without notice.



View CC-CC
DD-DD, EE-EE

△	Quantity	1/1000 mm	Call. NO.:
△	Unit	5 : 1	Parts No.:
△	Scale	Drawn	500-710
△	Date	Checked	Name:
△	Date	Approved	N. Suzuki
△	Mark	Description	Casing Holder
△	Date	Appr.	Drawing No.: 8200E003
△	Alterations	Checked	
△	Material	Approved	
△	Heat Treatment	General Tolerances	
△	Hardness	Dimensions	
△	Plating	Angles	

MIYOTA

CITIZEN WATCH CO., LTD. TOKYO, JAPAN