

Watch Movement Specification and Drawing

Standard Movement

PC21 AF



Movement Size: **6 3/4 × 8'''**
 Diameter: **Φ18.50mm**
 Height: **3.15mm**

Items	Ver.	Items	Ver.
Specification	1		
Appearance	1		
Casing	1		
Hand Fitting	1		
Hand Setting Stem	1		
Dial	1		
Casing Ring	1		
Assembly Plan	1		
Hands	1		

CAL.PC21AF 6 $\frac{3}{4}$ X 8 Ligne Quartz Movement

Three Hands [High hand movement]

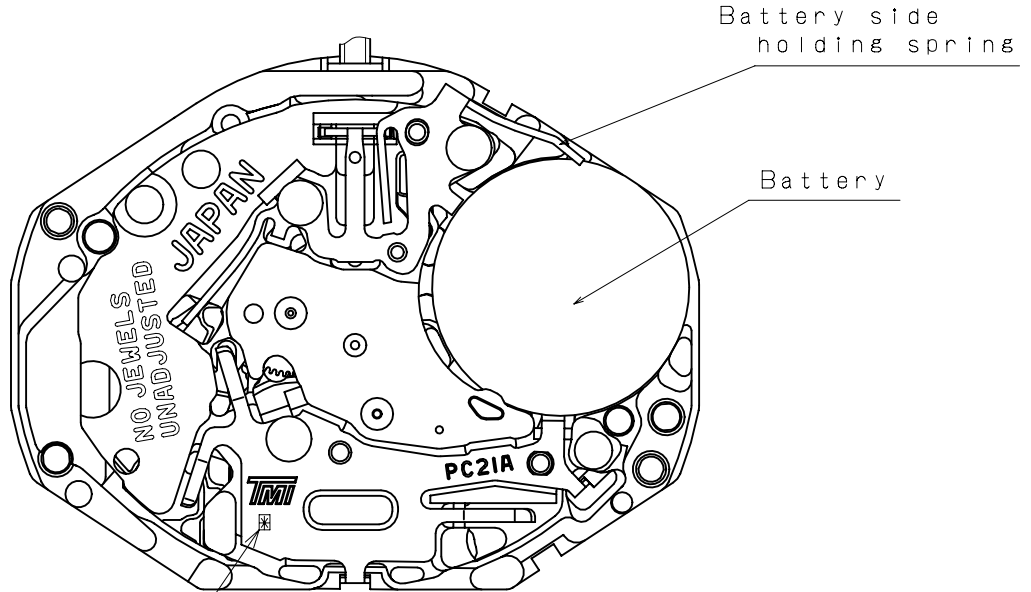
1. FUNCTION

· Jewel	0 jewel	
· Accuracy	Less than ± 30 seconds / month (Normal temperature range)	
· Battery life	Approx. 2 years	
· Regulation hands unbalance	Hour hand	: Less than $0.30 \mu\text{N}\cdot\text{m}$ (30 mg·mm)
	Minute hand	: Less than $0.30 \mu\text{N}\cdot\text{m}$ (30 mg·mm)
	Second hand	: Less than $0.07 \mu\text{N}\cdot\text{m}$ (7 mg·mm)

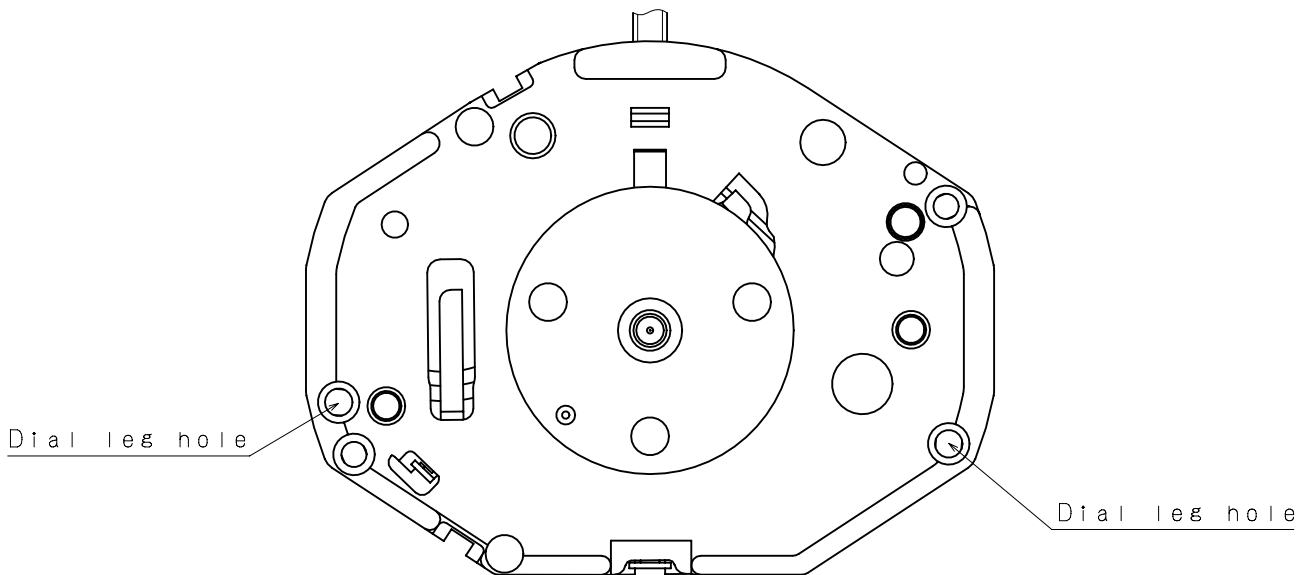
2. USE AND TEST CONDITION

· Battery	SR626SW	(Recommended battery is SEIZAIKEN)
· Operation temperature range	From - 5 °C to + 50 °C	
· Antimagnetic	≥ 1600 A / m	(Direct current magnetic field)
· Test of accuracy	10 seconds	(Duration of measurement)

*** All specifications are subject to change without notice.**

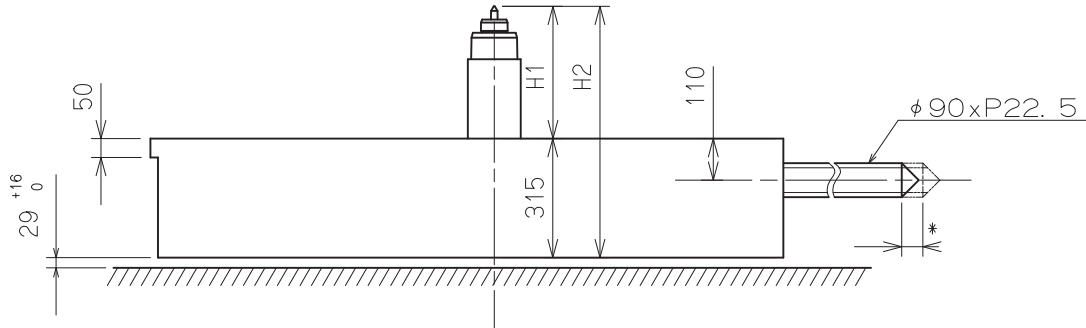


	*
TYPE M	5



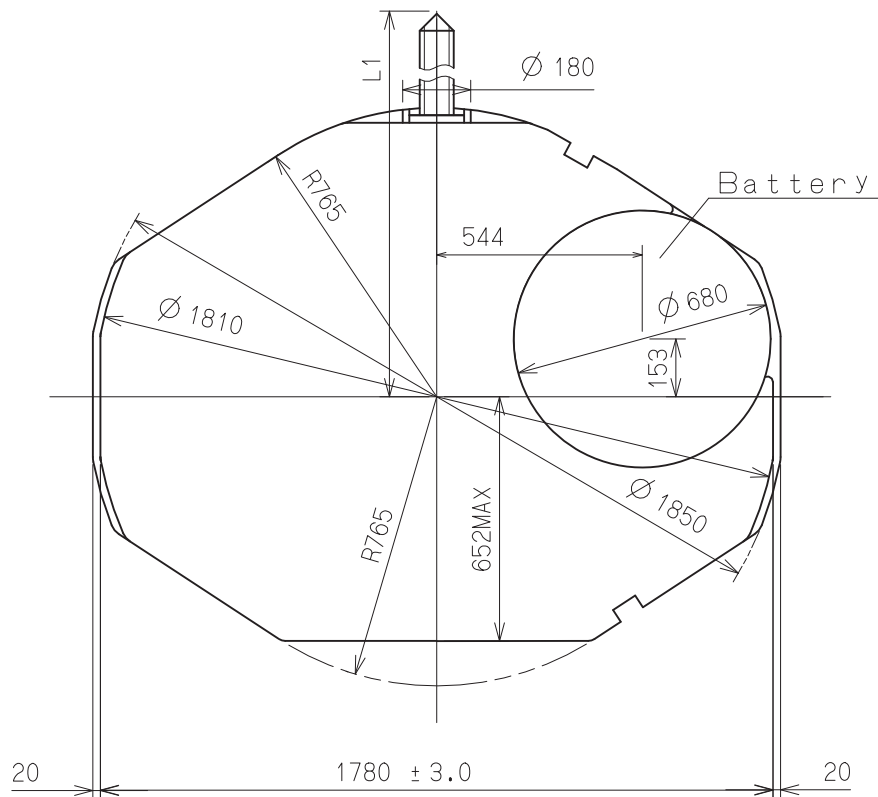
Battery Side Holding spring Type

* pull out stroke:56



Center post 中心柱位		TYPE M 一般針高
Maximum height from main plate surface 與機芯平面的最大高度	H1	350
Total height incl. movement 機芯總高度	H2	665

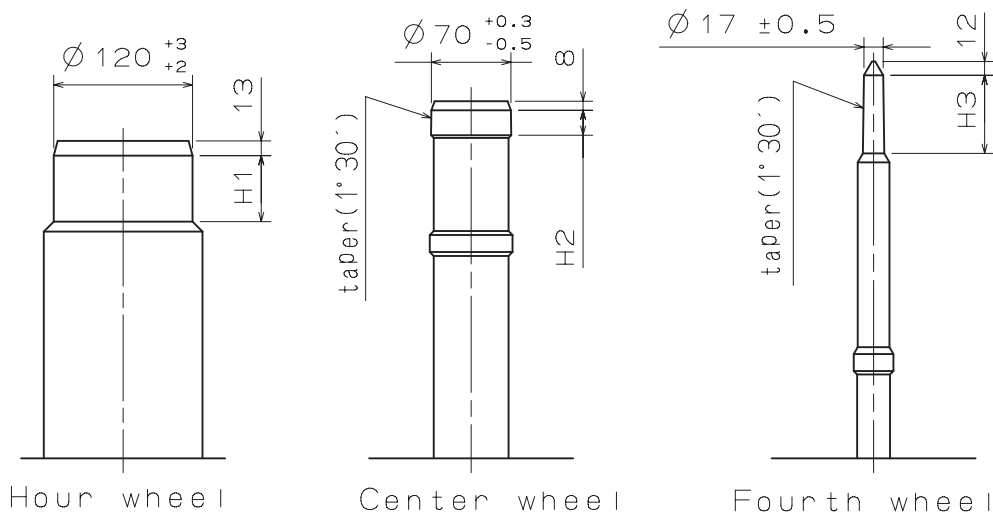
Hand Setting Stem	TYPE A
L1	2472



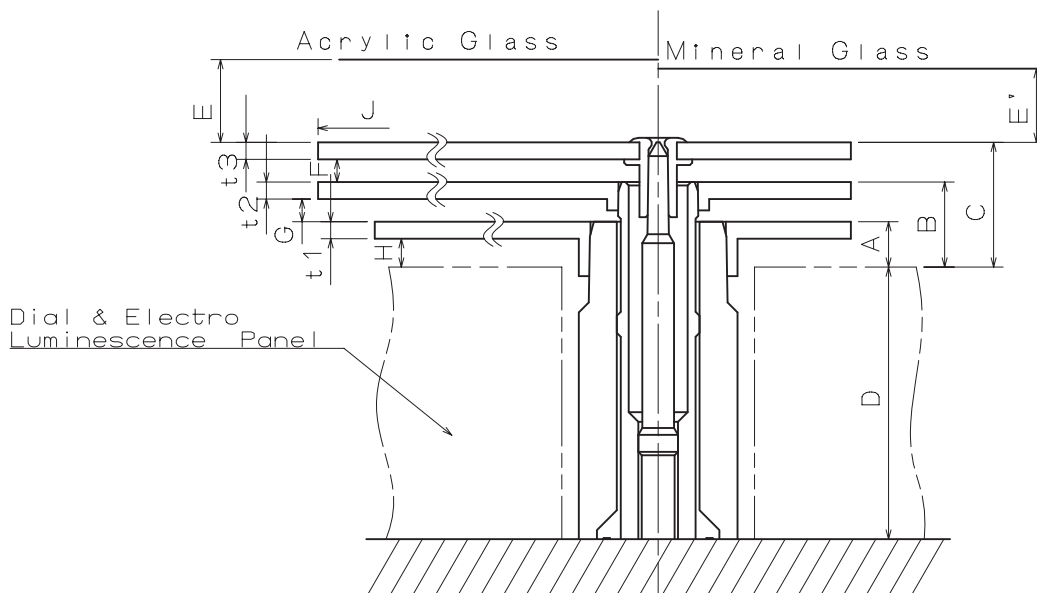
Hour hand unbalance $\leq 0.3 \mu\text{N}\cdot\text{m}$ (30mg·mm)

Minute hand unbalance $\leq 0.3 \mu\text{N}\cdot\text{m}$ (30mg·mm)

Second hand unbalance $\leq 0.07 \mu\text{N}\cdot\text{m}$ (7mg·mm)

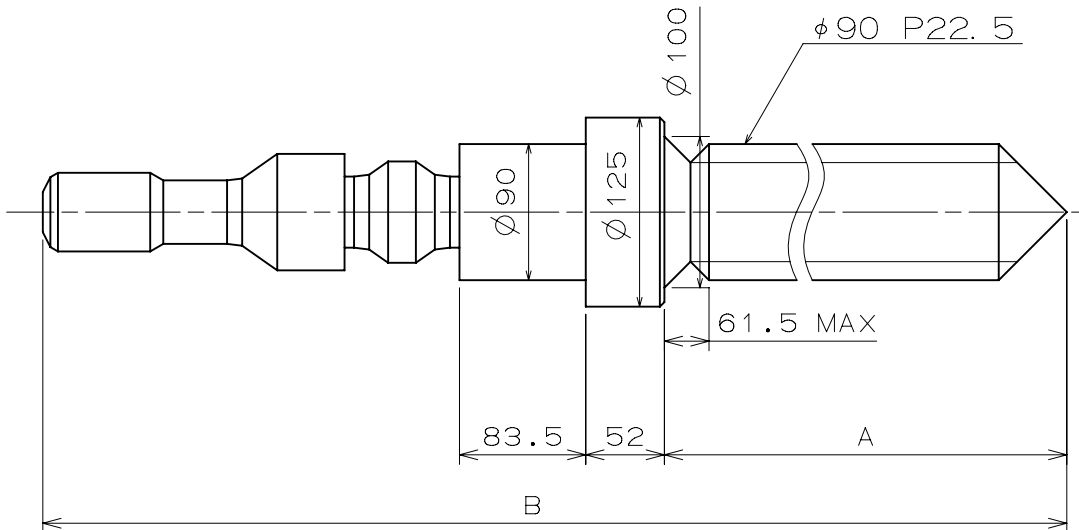


	Part No.			Dimension		
	Hour wheel 時針輪	Center wheel 分針輪	Fourth wheel 秒針輪	H1	H2	H3
TYPE M 一般針高	0273 014	0221 038	0241 228	58	22	69



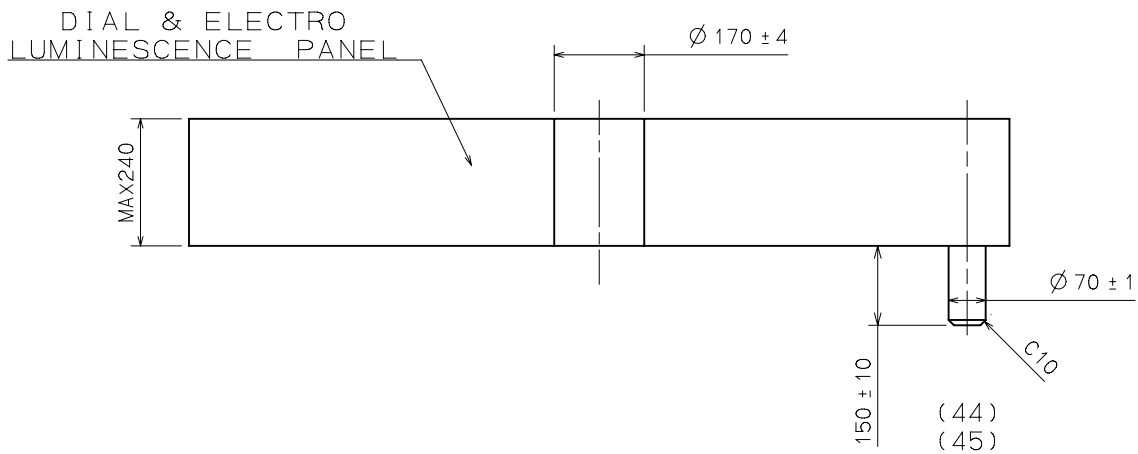
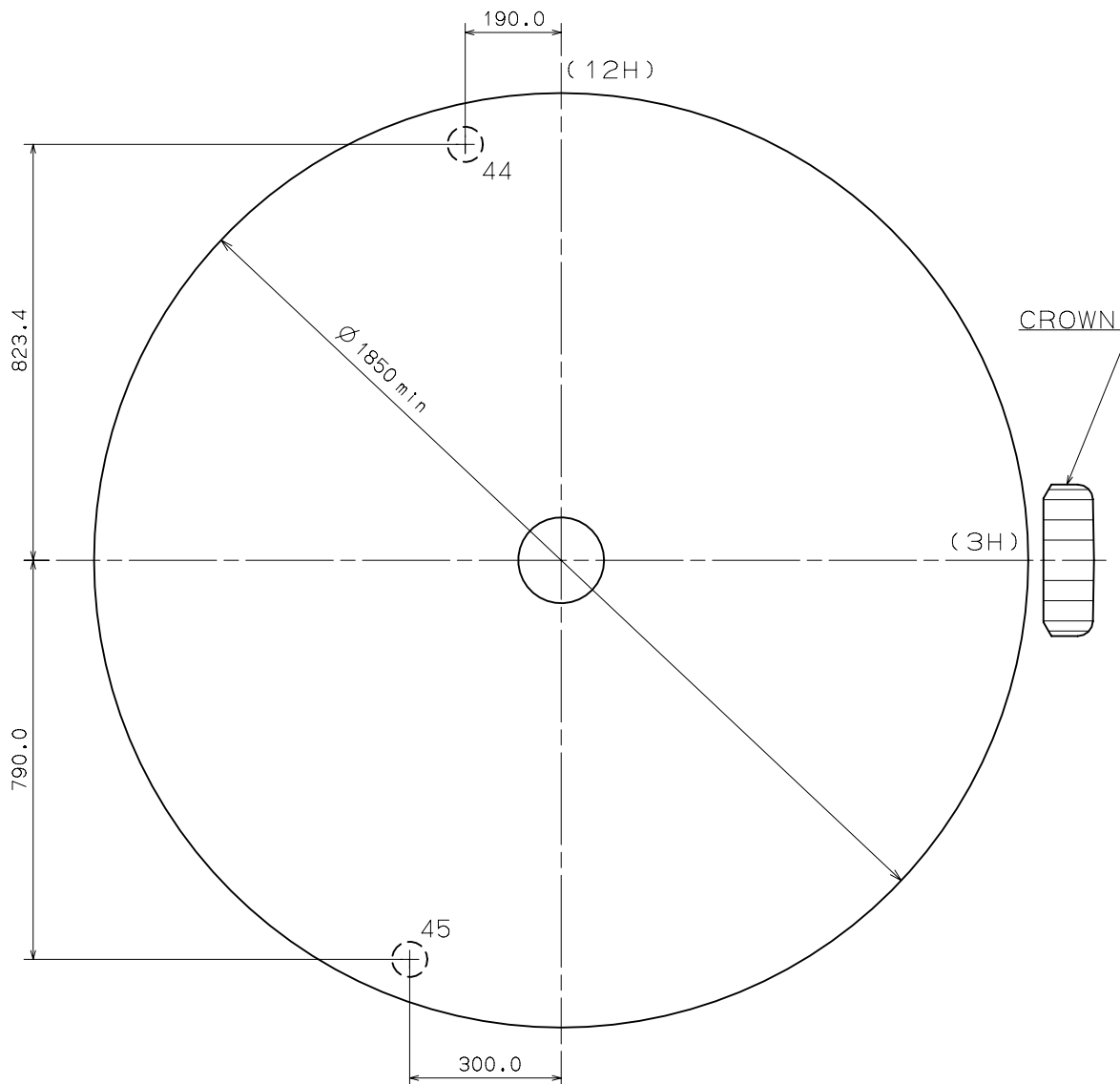
	A	B	C	D	E	E'	F	G	H	t1	t2	t3
TYPE M 一般針高	40	75	110	240	*	*	20	20	25	15	15	15

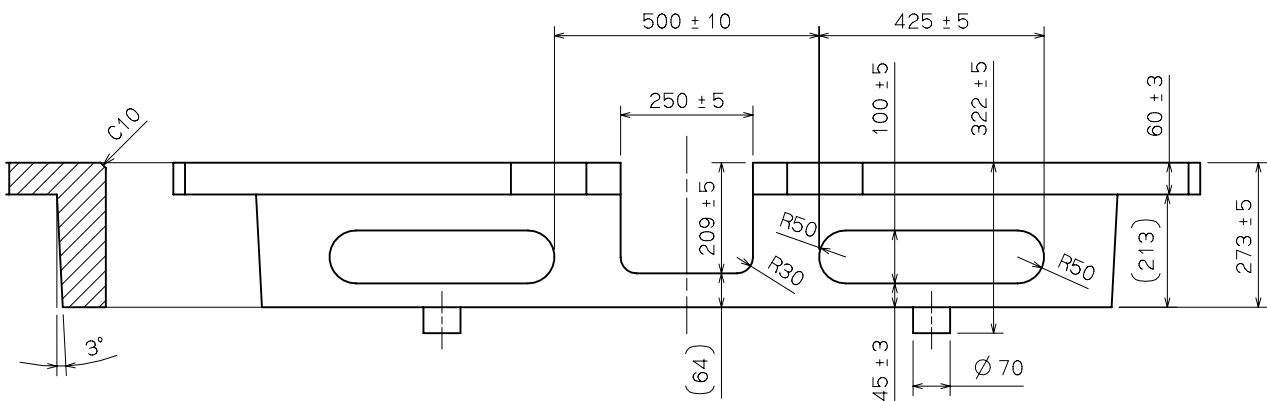
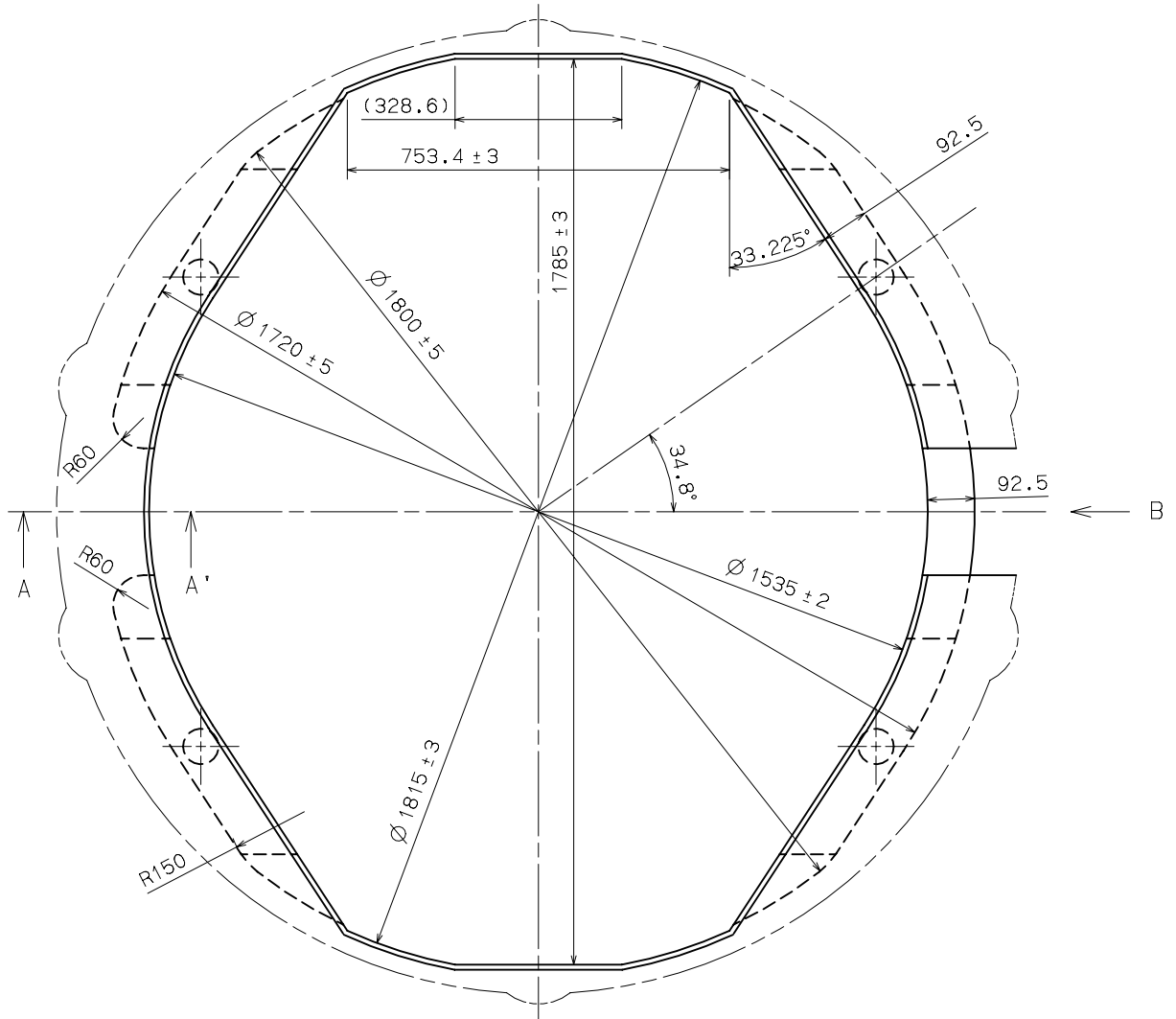
*	J		
		Max 800	800~850
E'	Min 40	Min 45	Min 65
E	Min 48	Min 53	Min 73



	Part No.	A	B
TYPE A	0354 127	1763	2174

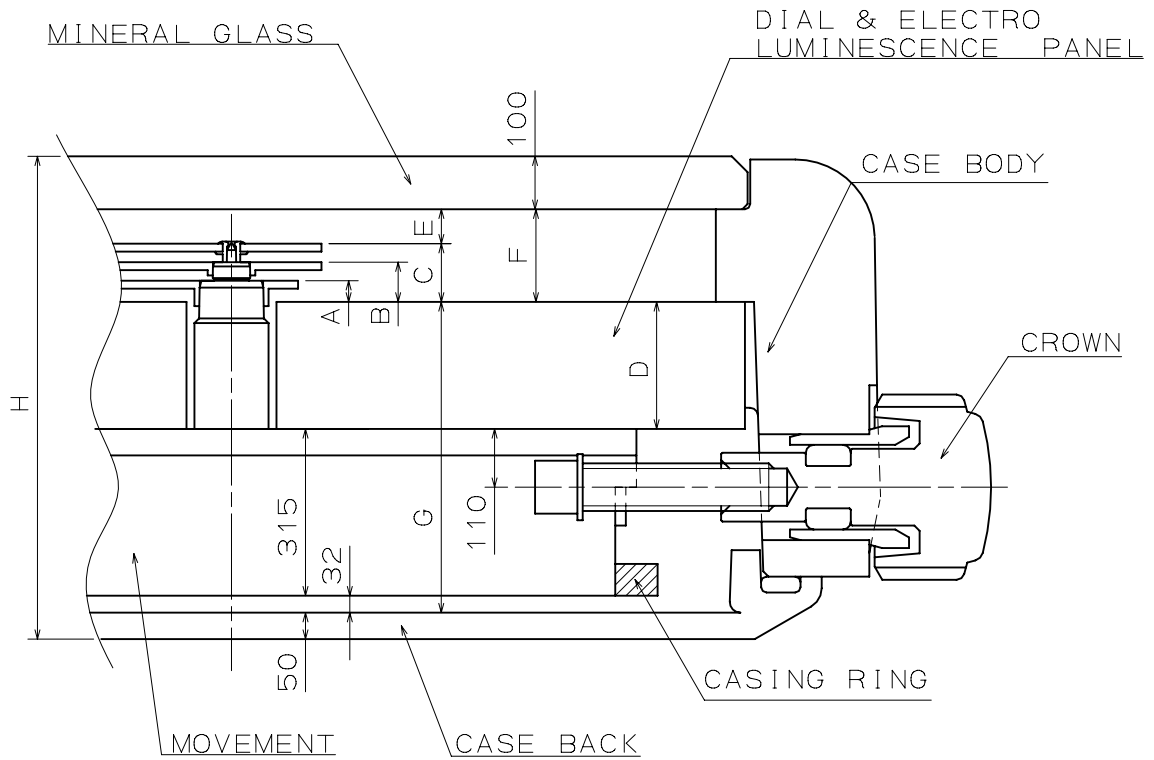
Do not lubricate the hand setting stem.





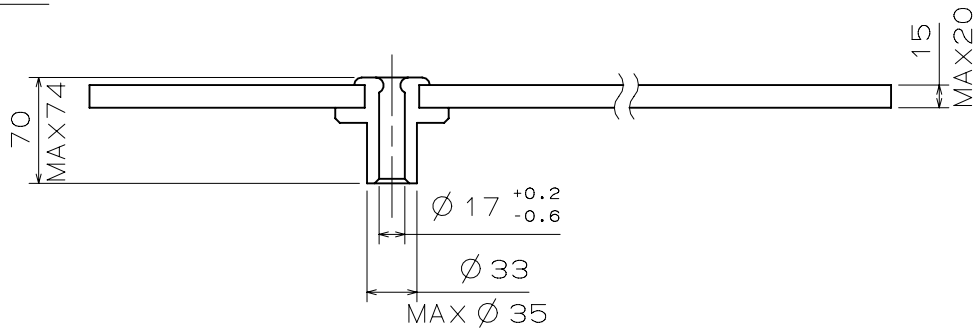
SECTIONAL VIEW of A-A'

SIDE VIEW from B DIRECTION

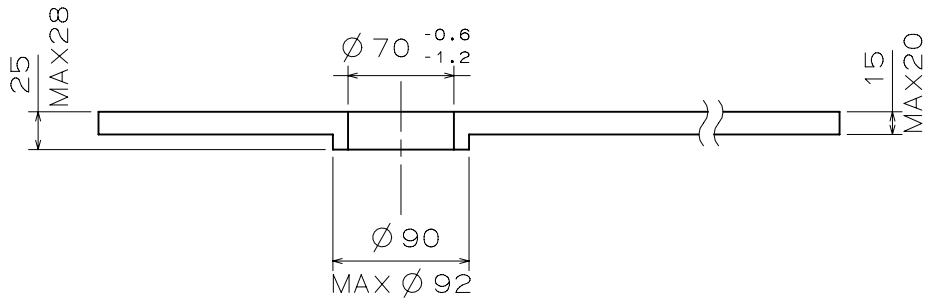


	A	B	C	D	E	F	G	H
TYPE M	40	75	110	240	65	175	587	912

SECOND



MINUTE



HOUR

