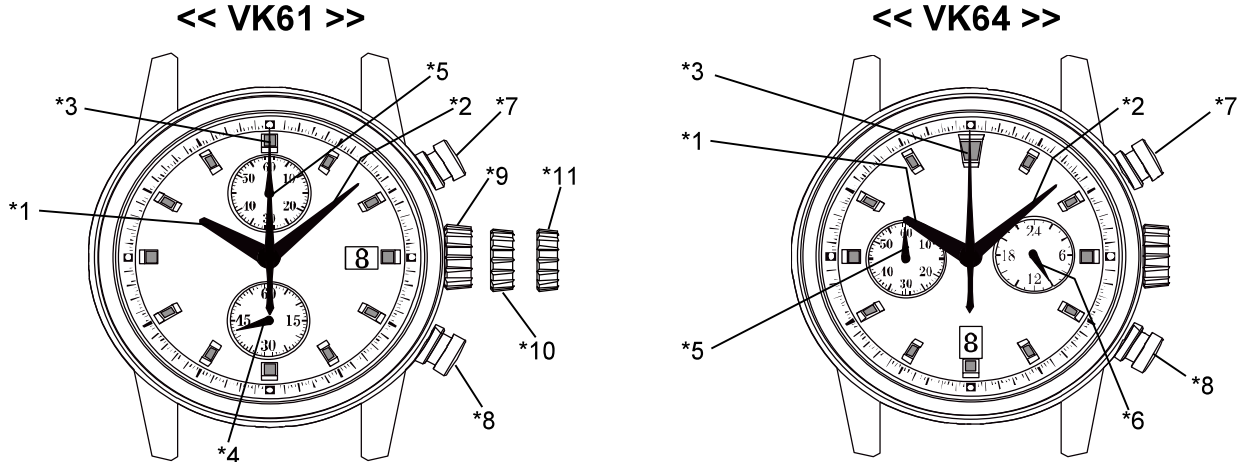


## DISPLAY AND CROWN / BUTTON OPERATION



### Note

*1: Hour hand	*6: 24 hour hand	*10: Crown at first position (Date setting)
*2: Minute hand	*7: Button (A) (START / STOP)	*11: Crown at second position (Time setting)
*3: Chronograph second hand	*8: Button (B) (RESET)	
*4: Small second hand	*9: Crown at normal position	
*5: Chronograph minute hand (60 minute)		

### 1.How to set the time

- 1) Pull out the crown to the second click position.
- 2) Turn the crown to set hour and minute hands.  
(Check that AM / PM is set correctly.)
- 3) Push the crown back into the normal position.

#### [ Note ]

If the crown is pulled to the second position while the chronograph is started, the chronograph hands will continue to move. This is not a malfunction.

### 2.How to set the date

- 1) Pull out the crown to the first click position.
- 2) Turn the crown clockwise for date setting.  
\*Do not set the date between 9:00 P.M. and 3:00 A.M. as this will cause a malfunction.
- 3) Push the crown back into the normal position.

### 3.How to reset (after battery change)

It is possible to reset by the following two methods.

- Method 1 {
- 1) Set the crown to the normal position.
  - 2) Touch the AC terminal of circuit block and the switch spring with conductive tweezers to reset the circuit.
  - 3) The small second hand will move at two-second interval for 10 seconds.(VK61 only)

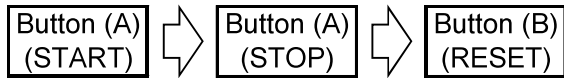
- Method 2 {
- 1) Pull out the crown to the second click position.
  - 2) Press the button (B) for two seconds and release the button.
  - 3) Push the crown back to the normal position.
  - 4) The small second hand will move at two-second interval for 10 seconds.(VK61 only)

\* If the crown is operated within this 10 seconds, the two-second interval movement will not activate.  
(VK61 only)

**[ Note ]**

It is not necessary to set the chronograph hands after the battery is exchanged.

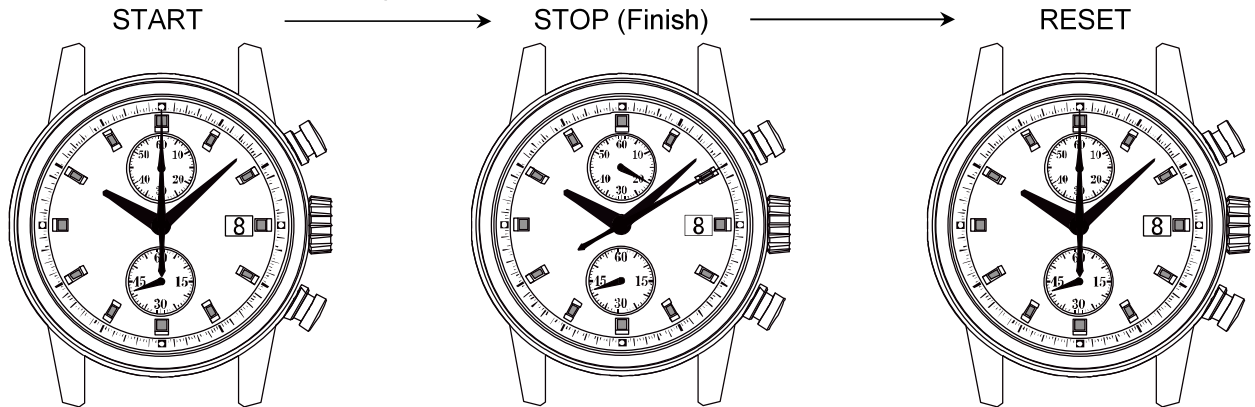
If the chronograph hands position are incorrect, following below procedure all the chronograph hands will be reset to "0" position.



## HOW TO USE THE CHRONOGRAPH

**[ Standard measurement ]**

Press the buttons in the following order : A → A → B



• Press button (A) to start the chronograph.  
The chronograph second hand will start moving.

( 20 minutes 10 seconds )

• Press button (A) again to stop the chronograph.  
The chronograph hands stop to indicate the elapsed time.

• Press button (B) to reset the chronograph.  
All the chronograph hands will be reset to "0" position.

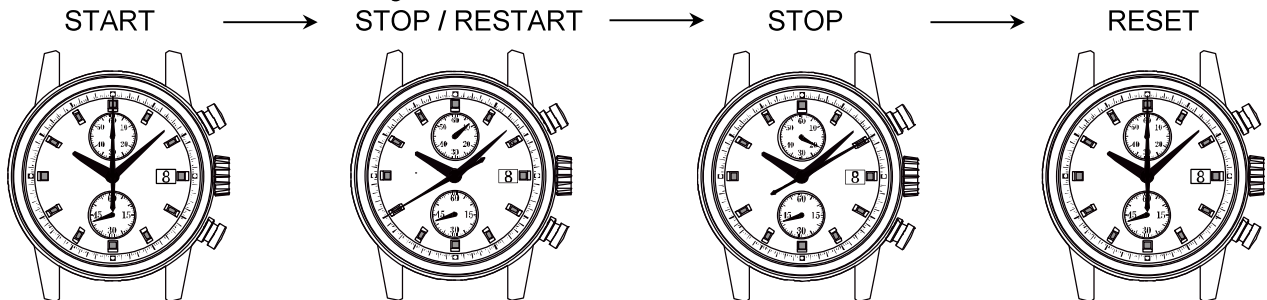
**Note**

The chronograph can measure up to 60 minutes.  
The chronograph stops after a measurement for 60 minutes.  
\*Restart by pushing button (A).

During the chronograph operation, button (B) (reset) can be pushed. There is no problem with the function.

**[ Accumulated elapsed time measurement ]**

Press the buttons in the following order : A → A / A ... → A → B



( 8 minutes 40 seconds ) ( 20 minutes 10 seconds )

\*Restart and stop of the chronograph can be repeated as many times as necessary by pressing button (A)