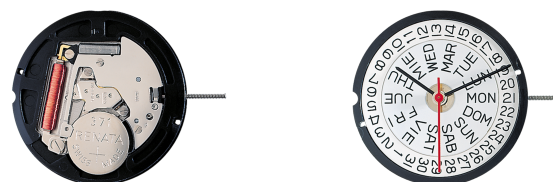


RONDA powertech 500 and 762E, 763E

Affordable metal movements
for reliable quality watches

Caliber 517 – 11½'''



Product Specifications

Analog quartz movement

Line powertech

Caliber 517

Size 11½'''

Version Swiss Made 1 Jewels / nickel plated
Swiss Parts 1 Jewels / nickel plated

Standard battery life 45 months

Hand fitting height 1

Features

- Repairable metal watch movement
- Power saving mechanism with pulled out stem: Reduction of consumption approximately 70%
- Interchangeability: All versions 11½''' with same movement height 3.00 mm and stem height 1.50 mm
- Very powerful stepping motor
- Day-date with quick change

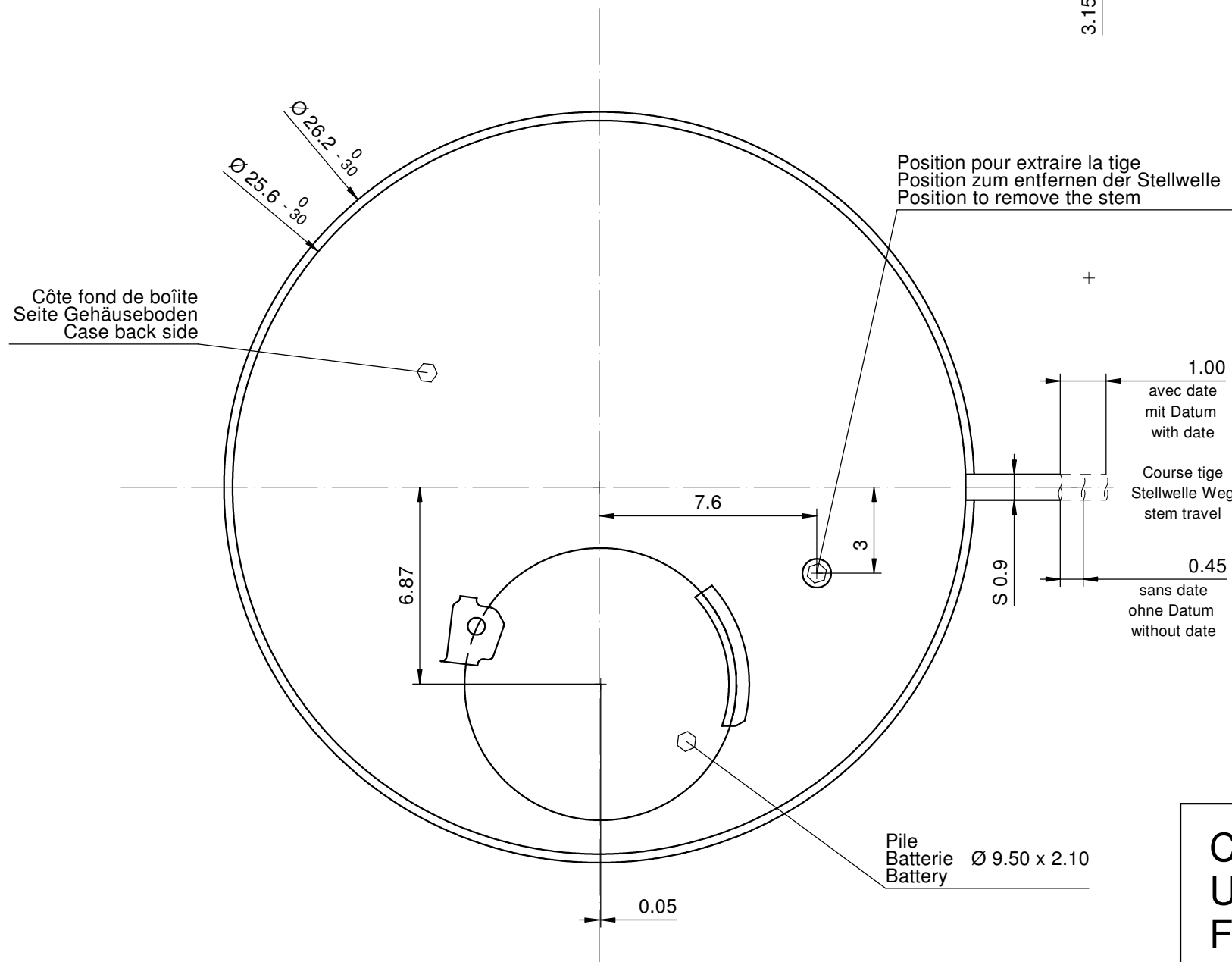
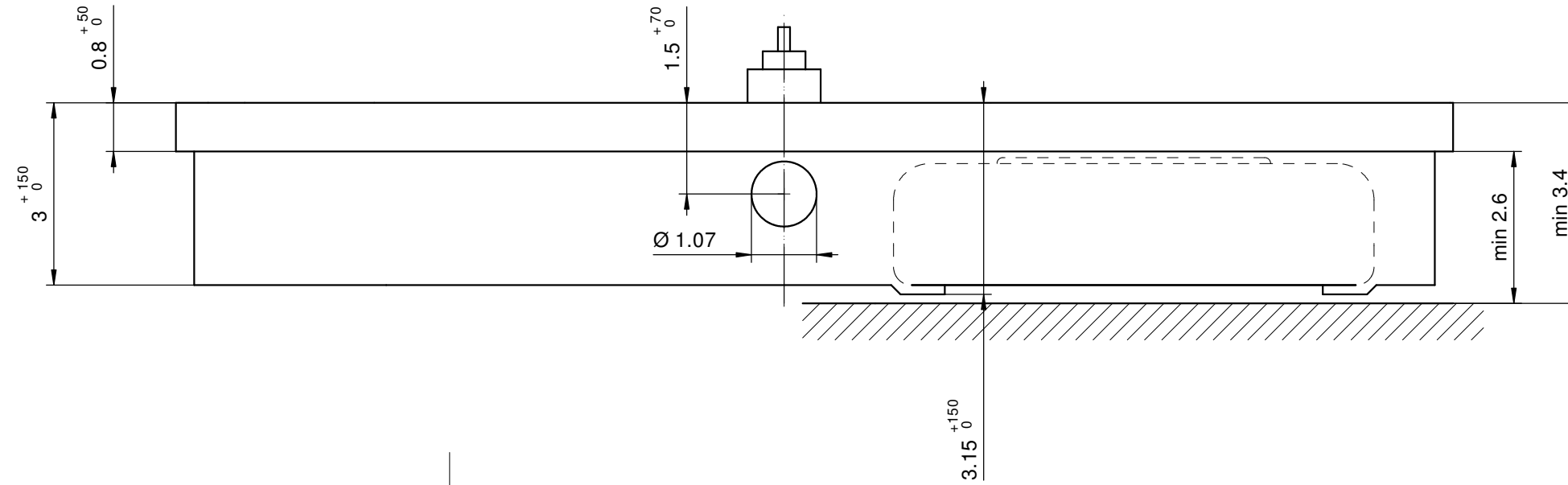
Functions

- Day indicator
- Date
- 3 hands

Technical Specifications

Diameter Total	26.00 mm
Case fitting	25.60 mm
Movement height	3.00 mm
Height over standard battery	3.25 mm
Movement rest	0.80 mm
Height over stem	1.50 mm
Length of stem travel	1.00 mm
Stem thread	0.90 mm
Standard battery	371
Standard battery life	45 months
Battery voltage	1.5 V
Current consumption – typical	1.28 µA (Date Mechanism not in Gear)
Current consumption – maximum	1.85 µA (Date Mechanism not in Gear)
Useful torque second – typical	11 µNm
Useful torque minute – typical	550 µNm
Operating temperature	0 - 50 °C
Instantaneous rate	-10/ +20 sec/month
Resistance to magnetic fields	18.8 Oe
Resistance against shock	NIHS 91-10





Sécurité entre aiguille seconde et verre : min 0.30 mm
Sicherheit zwischen Sekundenzeiger und Glas : min 0.30 mm
Security between second hand and glass : min 0.30 mm

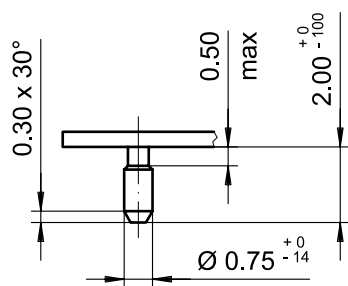
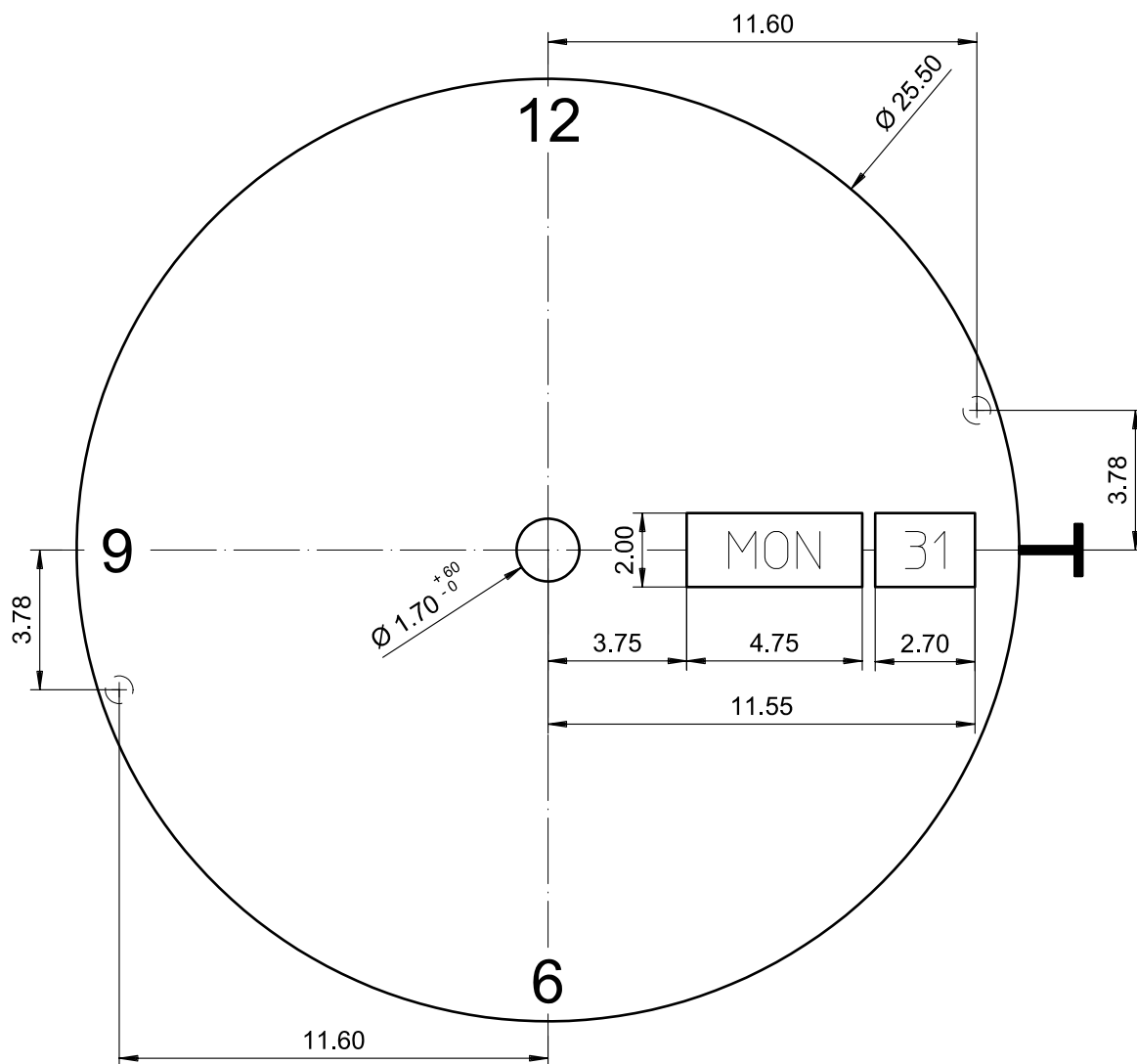
Le cadran doit être maintenu en hauteur par la boîte.
Das Zifferblatt muss in der Höhe vom Gehäuse festgehalten werden.
The dial must be held in the height by the case.

Cage Uhrwerkgestell 11½" Frame

RONDA

512, 513, 513S, 515, 515S
517, 517S, 519, 519S

Issued	10.03.1999	gd
Modified	06.06.2018	ds5222
Released	YES	
Mod. No.	38099	
Tolerance	±20 µm	
Scale	10 : 1	Page 1/1 A3
Sous réserve de modifications Aenderungen vorbehalten Modifications reserved		
No.	5000.286	09



Epaisseur du cadran selon hauteur de l'aiguillage
 Zifferblattdicke gemäss Zeigerwerkhöhen
 Dial thickness according to hand fitting heights

Tige	Date	Jour
Stellw.	Datum	Tag
Stem	Date	Day
3H	3H	3H

Cadran
 Zifferblatt
 Dial

11 1/2"

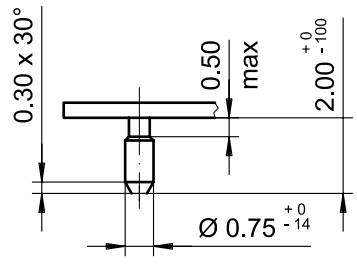
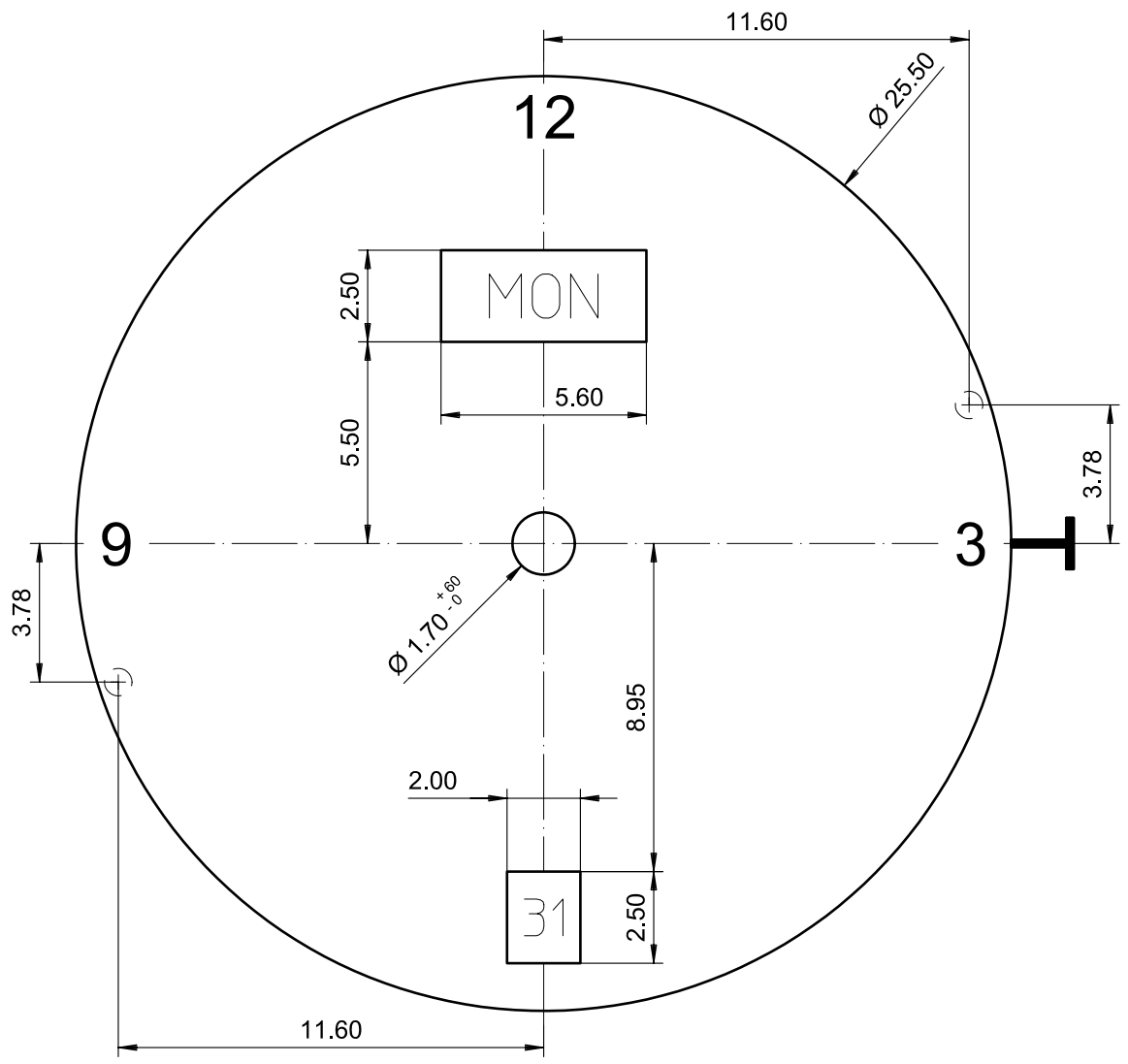
Issued	14 Dez 2007	cw
Modified	11.Sept.2007 ÄA 2684	cm
Released	YES	
Tolerance	+/- 20 µm	
Scale	5 : 1 (A4V)	

RONDA

517

Sous réserve de modifications
 Aenderungen vorbehalten
 Modifications reserved

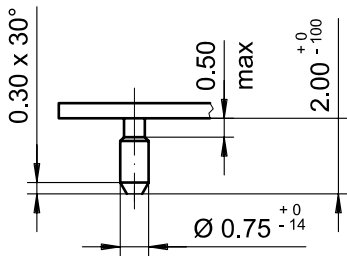
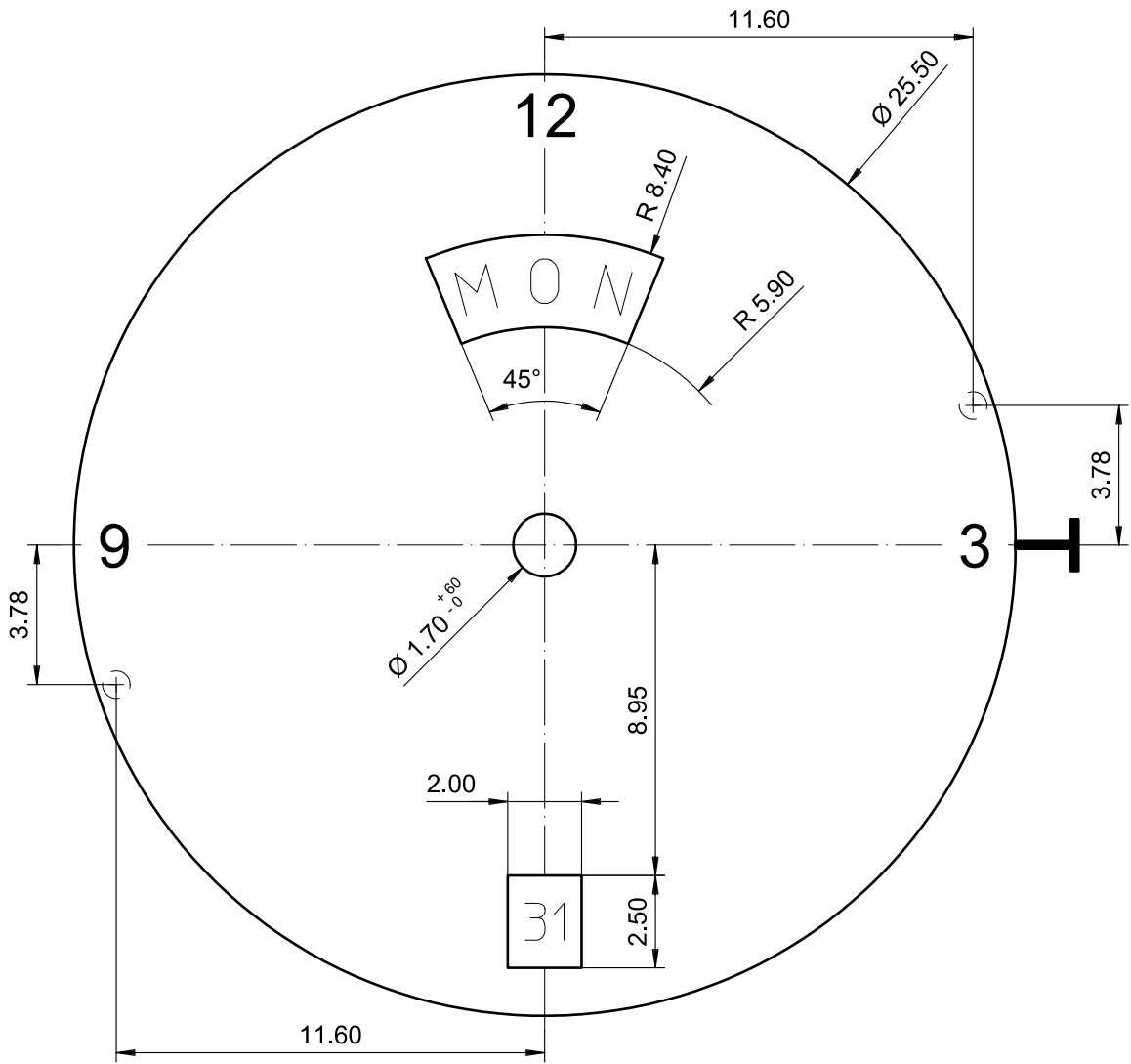
No. 5010.491 02



Epaisseur du cadran selon hauteur de l'aiguillage
 Zifferblattdicke gemäss Zeigerwerkhöhen
 Dial thickness according to hand fitting heights

Tige	Date	Jour
Stellw.	Datum	Tag
Stem	Date	Day
3H	6H	12H
	<input type="checkbox"/>	<input type="checkbox"/>

Cadran Zifferblatt Dial	11 1/2"	Issued	14 Dez 2006	cw
		Modified	15.Dez.2006 ÄA ----	cw
		Released	YES	
		Tolerance	+/- 20 µm	
		Scale	5 : 1 (A4V)	
RONDA	517	Sous réserve de modifications Aenderungen vorbehalten Modifications reserved		
		No.	5010.509	01



Epaisseur du cadran selon hauteur de l'aiguillage
 Zifferblattdicke gemäss Zeigerwerkhöhen
 Dial thickness according to hand fitting heights

Tige	Date	Jour
Stellw.	Datum	Tag
Stem	Date	Day
3H	6H	12H
<input type="checkbox"/>	<input type="checkbox"/>	<input type="checkbox"/>

Cadran
 Zifferblatt
 Dial

11 1/2'''

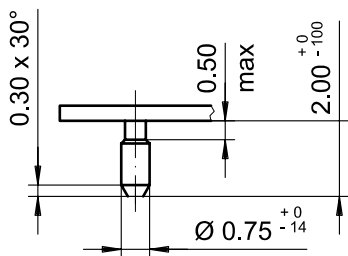
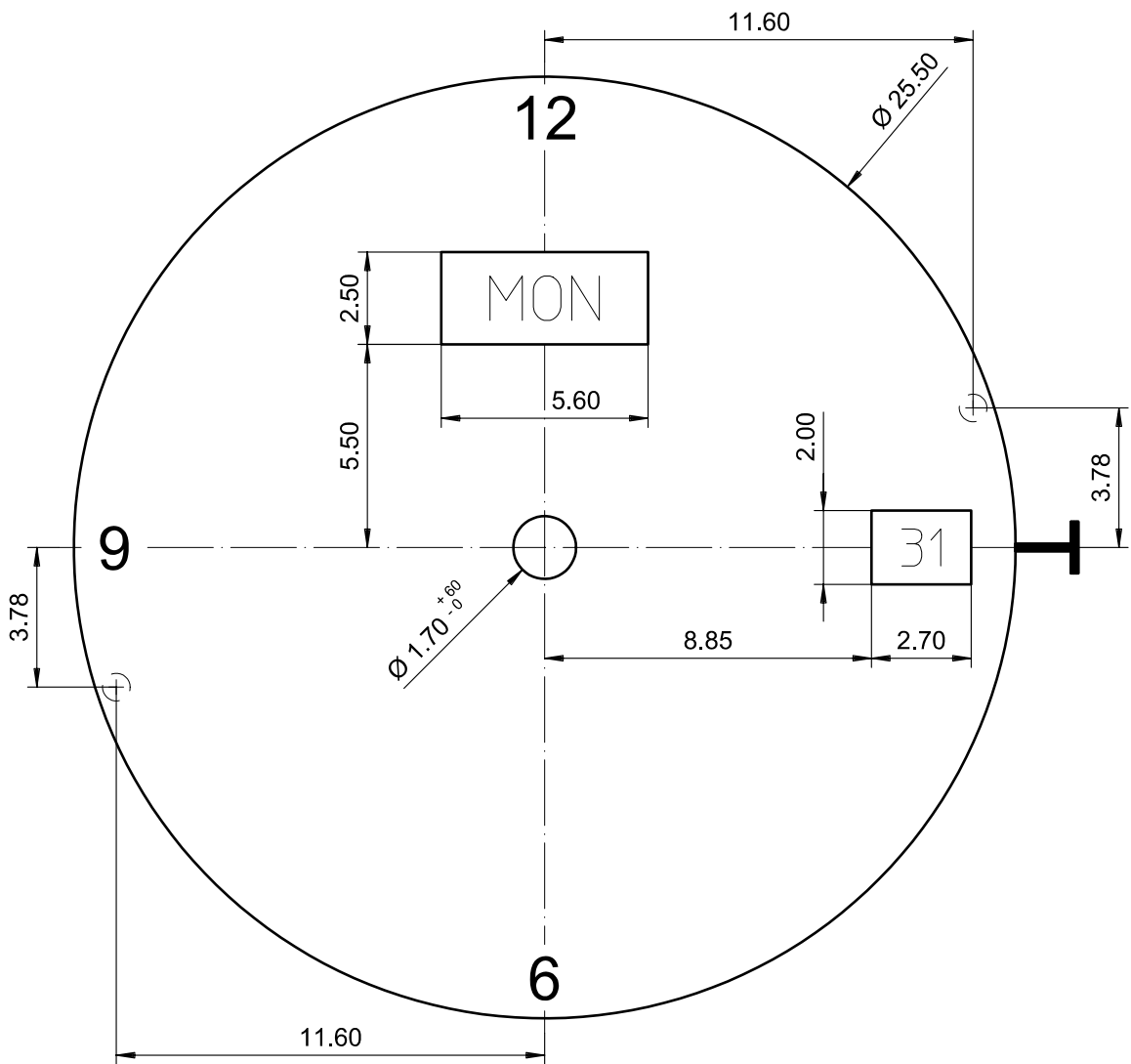
Issued	14 Dez 2006	cw
Modified	15.Dez.2006 ÄA ----	xx
Released	YES	
Tolerance	+/- 20 µm	
Scale	5 : 1 (A4V)	

RONDA

517

Sous réserve de modifications
 Aenderungen vorbehalten
 Modifications reserved

No. 5010.510 01



Epaisseur du cadran selon hauteur de l'aiguillage
 Zifferblattdicke gemäss Zeigerwerkhöhen
 Dial thickness according to hand fitting heights

Tige	Date	Jour
Stellw.	Datum	Tag
Stem	Date	Day
3H	3H	12H
	<input type="checkbox"/>	<input type="checkbox"/>

Cadran
 Zifferblatt
 Dial

11 1/2'''

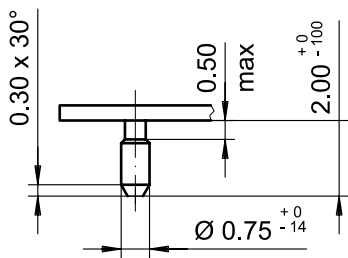
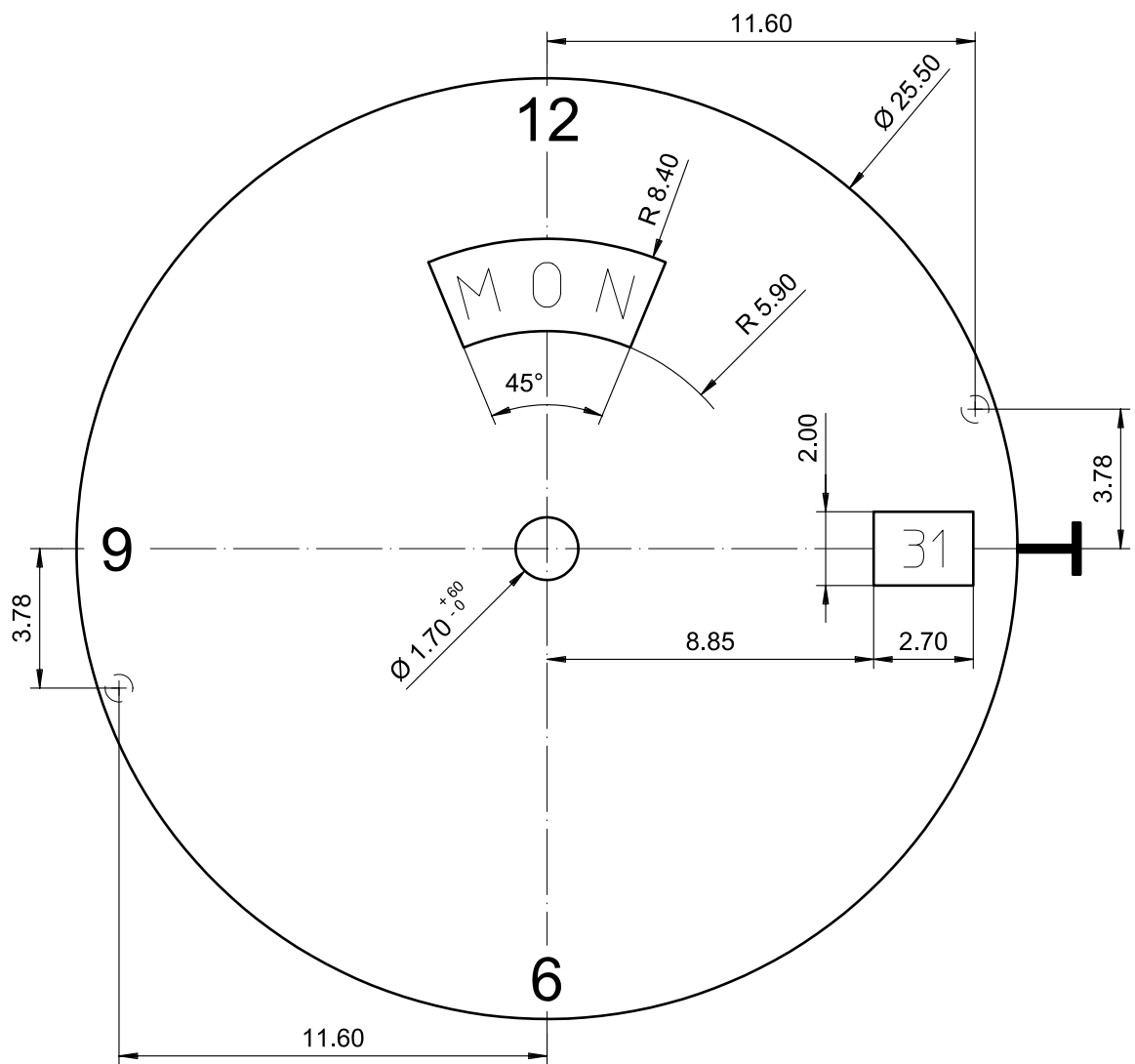
Issued	14 Dez 2006	cw
Modified	15.Dez.2006 ÄA ----	cw
Released	YES	
Tolerance	+/- 20 µm	
Scale	5 : 1 (A4V)	

RONDA

517

Sous réserve de modifications
 Aenderungen vorbehalten
 Modifications reserved

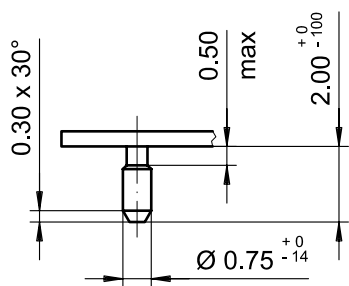
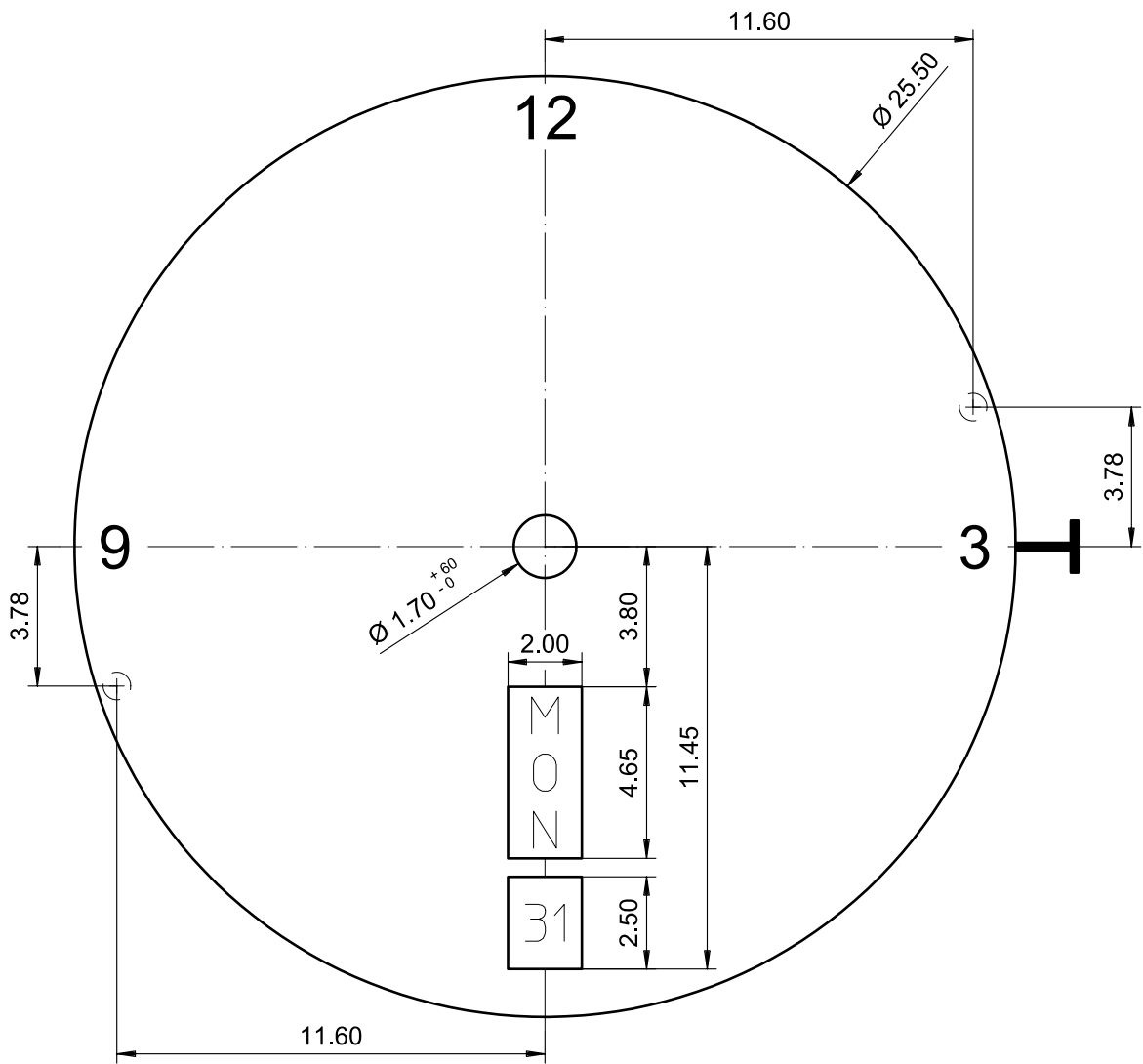
No. 5010.556 01



Epaisseur du cadran selon hauteur de l'aiguillage
 Zifferblattdicke gemäss Zeigerwerkhöhen
 Dial thickness according to hand fitting heights

Tige	Date	Jour
Stellw.	Datum	Tag
Stem	Date	Day
3H	3H	12H

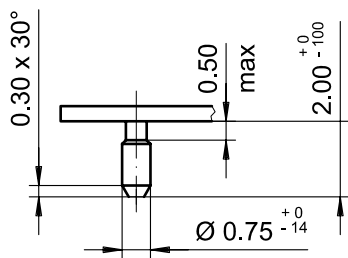
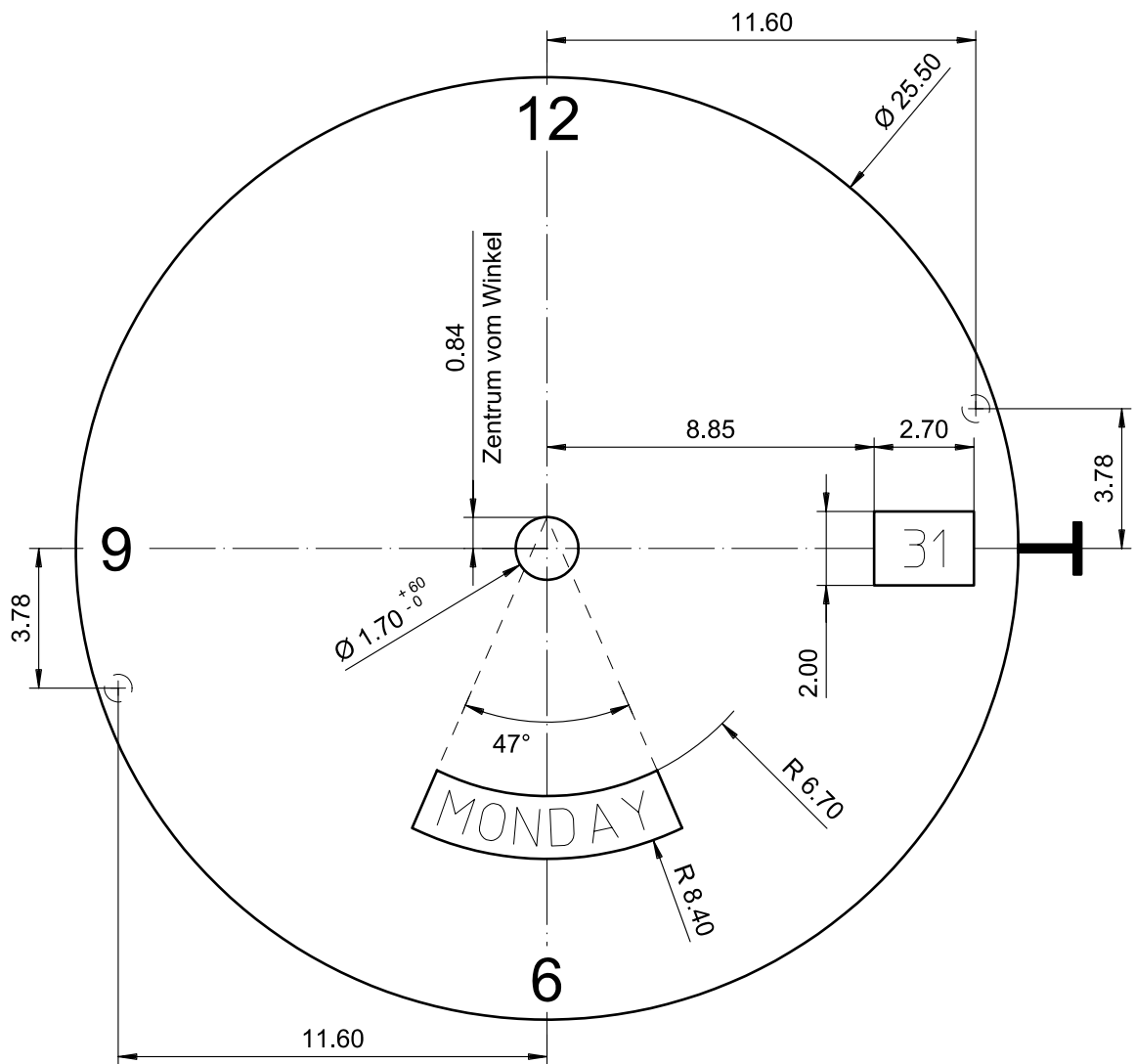
Cadran Zifferblatt Dial	11 1/2"	Issued	14 Dez 2006	cw
		Modified	15.Dez.2006 ÄA xxxx	cw
		Released	YES	
		Tolerance	+/- 20 µm	
		Scale	5 : 1 (A4V)	
RONDA	517	Sous réserve de modifications Aenderungen vorbehalten Modifications reserved		
		No.	5010.557	01



Epaisseur du cadran selon hauteur de l'aiguillage
 Zifferblattdicke gemäss Zeigerwerkhöhen
 Dial thickness according to hand fitting heights

Tige	Date	Jour
Stellw.	Datum	Tag
Stem	Date	Day
3H	6H	6H
<input type="checkbox"/>	<input type="checkbox"/>	<input type="checkbox"/>

Cadran Zifferblatt Dial	11 1/2"	Issued	14 Dez 2007	cw
		Modified	11.Sept.2007 ÄA 2684	cm
		Released	YES	
		Tolerance	+/- 20 µm	
		Scale	5 : 1 (A4V)	
RONDA	517	Sous réserve de modifications Aenderungen vorbehalten Modifications reserved		
		No.	5010.558	02



Epaisseur du cadran selon hauteur de l'aiguillage
 Zifferblattdicke gemäss Zeigerwerkhöhen
 Dial thickness according to hand fitting heights

Tige	Date	Jour
Stellw.	Datum	Tag
Stem	Date	Day
3H	3H	6H
	<input type="checkbox"/>	<input type="checkbox"/>

Cadran
 Zifferblatt
 Dial

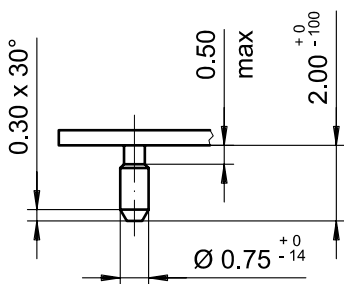
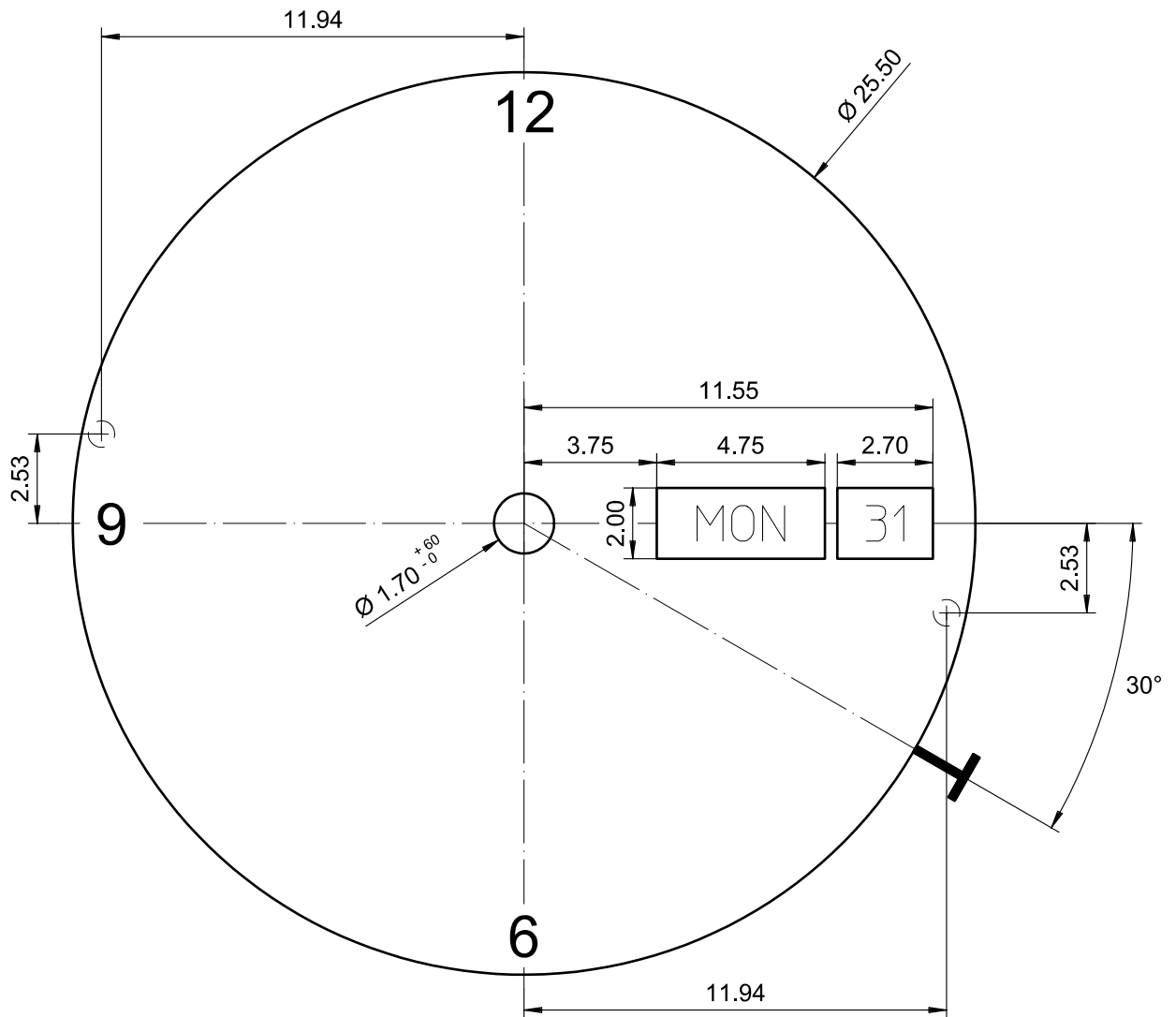
11 1/2'''

Issued	14 Dez 2006	cw
Modified	15.Dez.2006 ÄÄ ----	cw
Released	YES	
Tolerance	+/- 20 µm	
Scale	5 : 1 (A4V)	

RONDA 517

Sous réserve de modifications
 Aenderungen vorbehalten
 Modifications reserved

No. 5010.576 02



Epaisseur du cadran selon hauteur de l'aiguillage
 Zifferblattdicke gemäss Zeigerwerkhöhen
 Dial thickness according to hand fitting heights

Tige	Date	Jour
Stellw.	Datum	Tag
Stem	Date	Day
4H	3H	3H
	<input type="checkbox"/>	<input type="checkbox"/>

Cadran
 Zifferblatt
 Dial

11 1/2'''

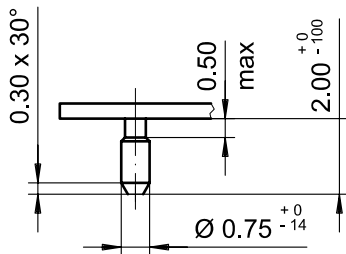
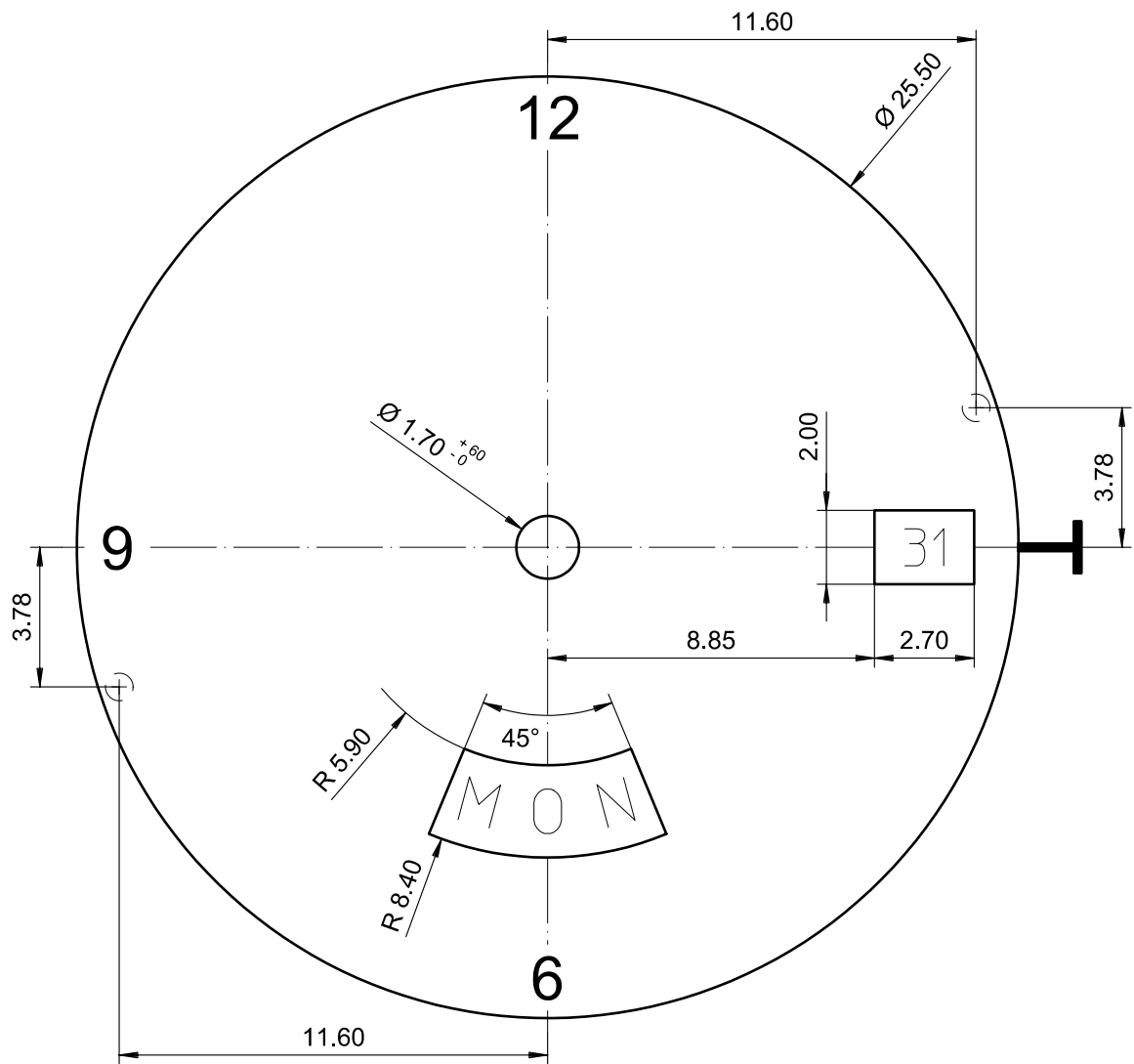
Issued	14 Dez 2007	cw
Modified	11.Sept.2007 ÄA 2684	cm
Released	YES	
Tolerance	+/- 20 µm	
Scale	5 : 1 (A4V)	

RONDA

517

Sous réserve de modifications
 Aenderungen vorbehalten
 Modifications reserved

No. 5010.596 02



Epaisseur du cadran selon hauteur de l'aiguillage
 Zifferblattdicke gemäss Zeigerwerkhöhen
 Dial thickness according to hand fitting heights

Tige	Date	Jour
Stellw.	Datum	Tag
Stem	Date	Day
3H	3H	6H
	<input type="checkbox"/>	<input checked="" type="checkbox"/>

Cadran
 Zifferblatt
 Dial

11 1/2'''

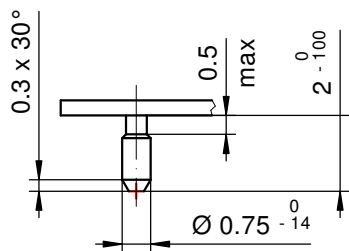
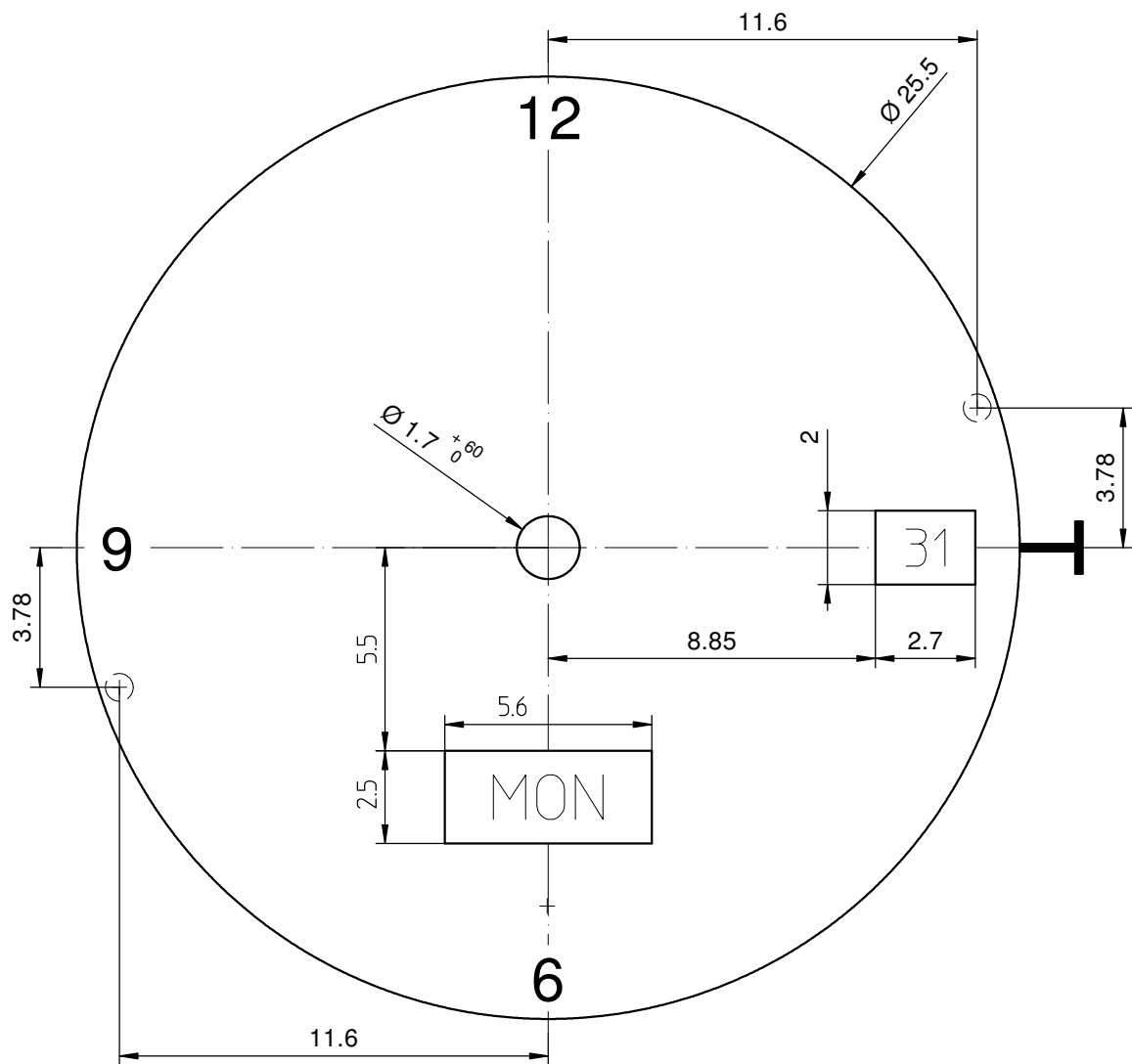
Issued	14 Dez 2006	cw
Modified	15.Dez.2006 ÄA ----	cm
Released	YES	
Tolerance	+/- 20 µm	
Scale	5 : 1 (A4V)	

RONDA

517

Sous réserve de modifications
 Aenderungen vorbehalten
 Modifications reserved

No. 5010.598 01



Epaisseur du cadran selon hauteur de l'aiguillage
 Zifferblattdicke gemäss Zeigerwerkhöhen
 Dial thickness according to hand fitting heights

Tige	Date	Jour
Stellw.	Datum	Tag
Stem	Date	Day
3H	3H	6H
<input type="checkbox"/>	<input type="checkbox"/>	<input type="checkbox"/>

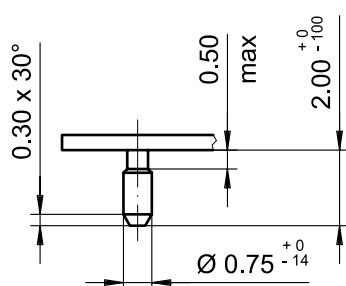
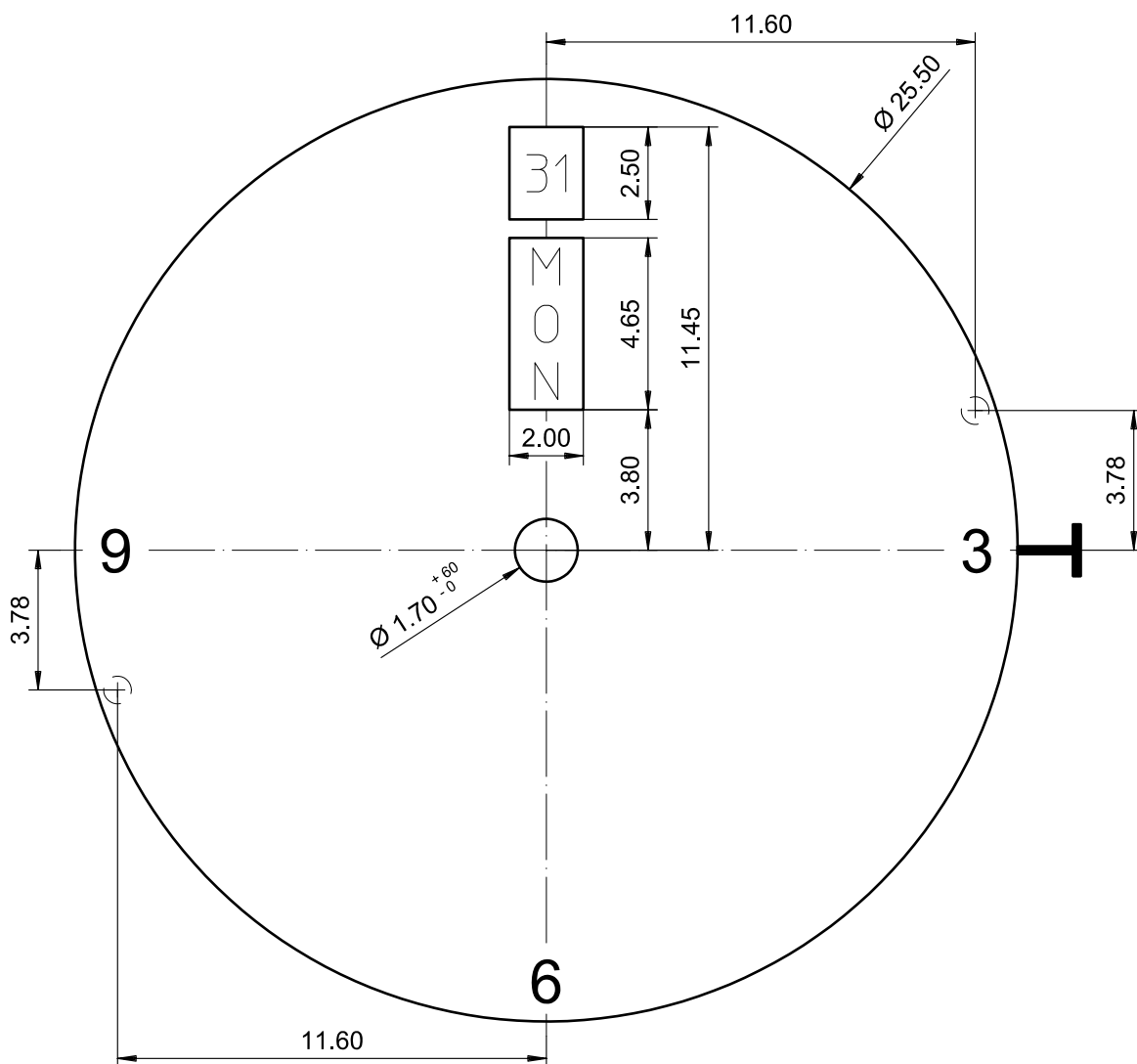
Cadran
 Zifferblatt 11 1/2"
 Dial

Issued	14.12.2006	cw
Modified	06.06.2018	ds5222
Released	YES	
Mod. No.	38099	
Tolerance	±20 µm	
Scale	10 : 1	Page 1/1 A3

RONDA 517, 517S

Sous réserve de modifications
 Änderungen vorbehalten
 Modifications reserved

No.	5010.606	02
-----	----------	----



Epaisseur du cadran selon hauteur de l'aiguillage
 Zifferblattdicke gemäss Zeigerwerkhöhen
 Dial thickness according to hand fitting heights

Tige	Date	Jour
Stellw.	Datum	Tag
Stem	Date	Day
3H	12H	12H
	<input type="checkbox"/>	<input type="checkbox"/>

Cadran
 Zifferblatt
 Dial

11 1/2"

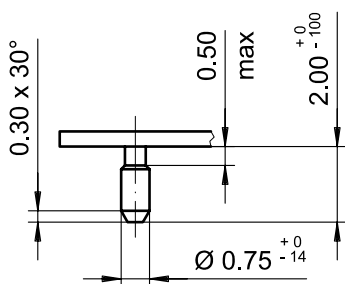
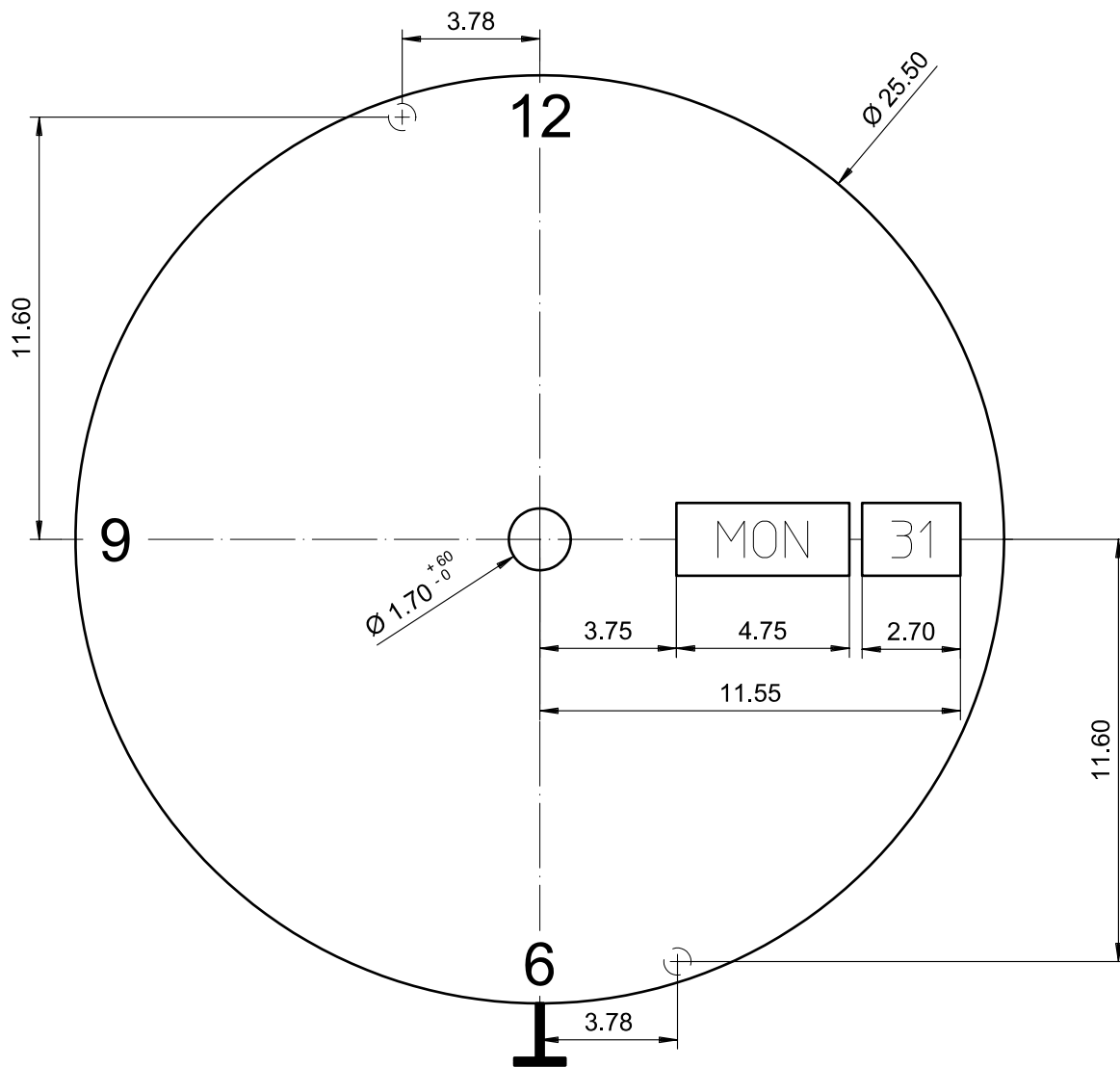
Issued	14 Dez 2007	cw
Modified	11.Sept.2007 ÄA 2684	cm
Released	YES	
Tolerance	+/- 20 µm	
Scale	5 : 1 (A4V)	

RONDA

517

Sous réserve de modifications
 Änderungen vorbehalten
 Modifications reserved

No. 5010.611 02



Epaisseur du cadran selon hauteur de l'aiguillage
 Zifferblattdicke gemäss Zeigerwerkhöhen
 Dial thickness according to hand fitting heights

Tige	Date	Jour
Stellw.	Datum	Tag
Stem	Date	Day
6H	3H	3H
	<input type="checkbox"/>	<input type="checkbox"/>

Cadran
 Zifferblatt
 Dial

11 1/2"

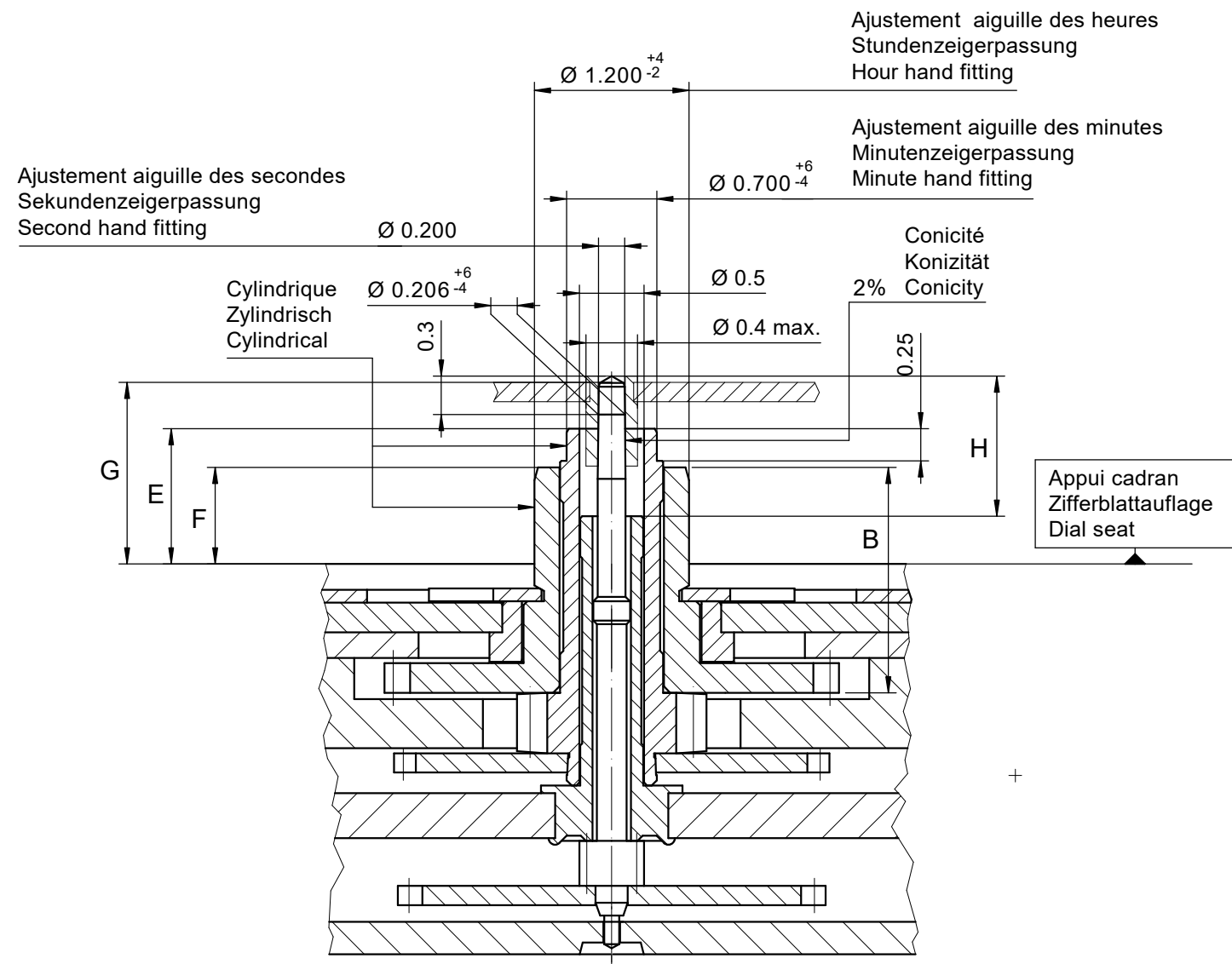
Issued	14 Dez 2006	cw
Modified	15.Dez.2006 ÄA ----	cm
Released	YES	
Tolerance	+/- 20 µm	
Scale	5 : 1 (A4V)	

RONDA

517

Sous réserve de modifications
 Aenderungen vorbehalten
 Modifications reserved

No. 5010.626 01



Heures / minutes / secondes
 Stunden / Minuten / Sekunden
 Hours / minutes / seconds

Aiguillage no Zeigerwerkhöhe Nr. Hand fitting height No	Dépassement Höhe über Zifferblattauflage Height over dial seat			Longueur Länge Length		Epaisseur max. (peinture comprise) Max. Dicke (inkl. Farbe) Max. thickness (paint included)			
	Pignon des secondes Sekundentrieb Second pinion	Chaussée Minutenrohr Cannon-pinion	Roue des heures Stundenrad Hour wheel	Roue des heures Stundenrad Hour wheel	Cadran Zifferblatt Dial			Aiguilles Zeiger Hands	
					Sous l'aiguille des secondes Unter Sekundenzeiger Under second hand	Sous l'aiguille des minutes Unter Minutenzeiger Under minute hand	Sous l'aiguille des heures Unter Stundenzeiger Under hour hand		
	G	E	F	H	B				
1	1.46	1.05	0.75	1.09	1.75	0.95	0.65	0.40	0.15
2	1.81	1.40	1.10	1.44	2.10	1.30	1.00	0.75	0.15

	Aig. des secondes Sekundenzeiger Second hand	Aig. des minutes Minutenzeiger Minute hand	Aig. des heures Stundenzeiger Hour hand	
mg max.	10	30	30	Masse / Masse / Weight *
µNm max.	0.08	0.70	0.70	Balourd / Unwucht / Unbalance *
gmm ² max.	0.4	-	-	Inertie / Massenträgheit / Inertia *
N max.	30	40	40	Force de chassage / Aufpresskraft / Force

Lors de la pose d'aiguilles, le mouvement doit être soutenu.
 Beim Zeigersetzen muss das Werk abgestützt werden.
 The movement needs to be supported for hand setting.

Aiguillages Zeigerwerkhöhen 10½", 11½" Hand fitting heights	Issued	10.03.1999	gd
	Modified	25.02.2022	jk5228
	Released	YES	
	Mod. No.	38099	
	Tolerance	µm	
	Scale	10 : 1	Page 1/1 A3
RONDA 507, 509, 517, 519 505.24D, 515.24D	Sous réserve de modifications Aenderungen vorbehalten Modifications reserved		
	No.	3316.060	08

* En cas de données différentes, veuillez contacter le service après-vente

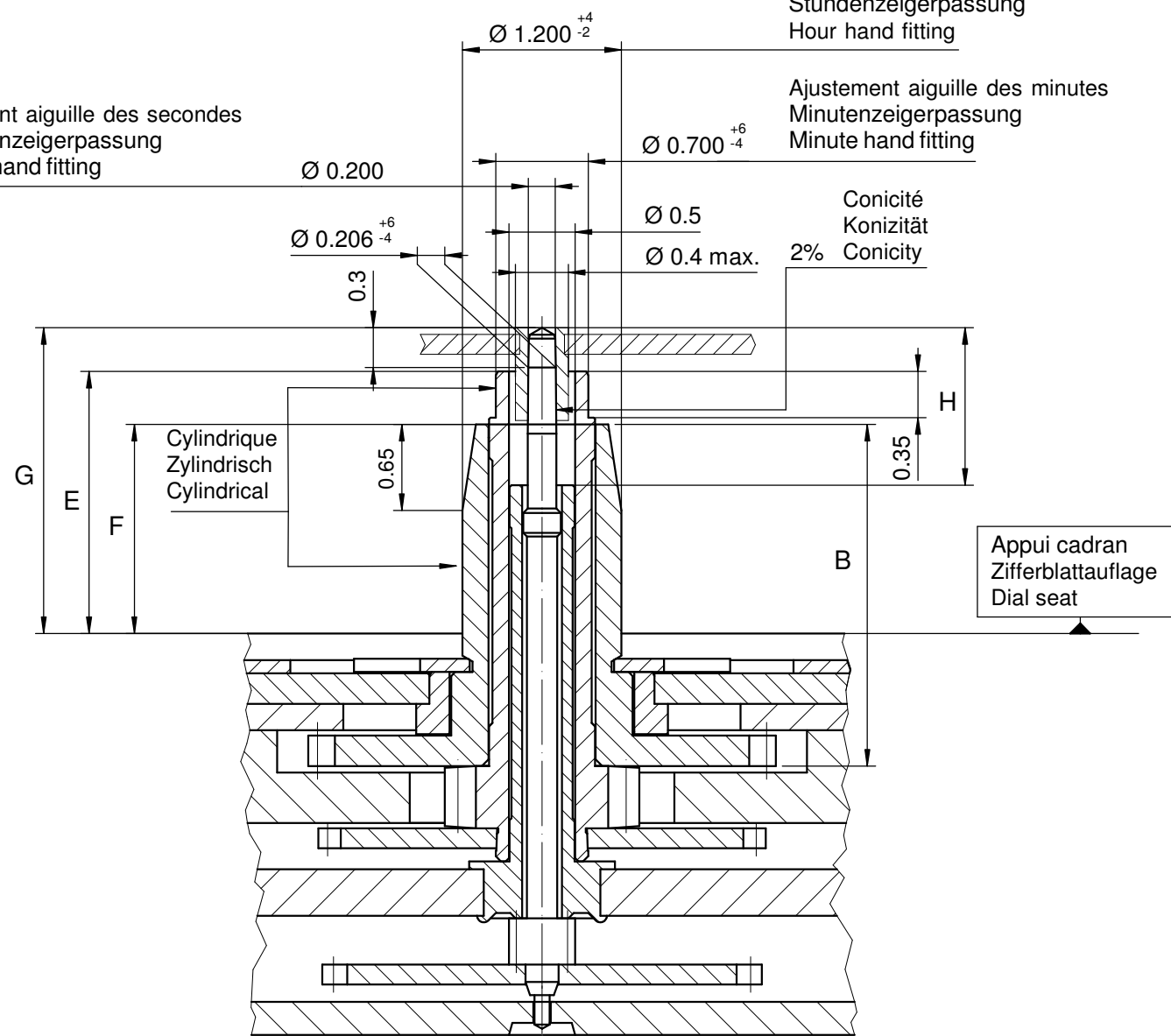
* Bei abweichenden Werten, bitte technischen Kundendienst anfragen

* In case of different values, please contact the customer service

Ajustement aiguille des secondes
Sekundenzeigerpassung
Second hand fitting

Ajustement aiguille des heures
Stundenzeigerpassung
Hour hand fitting

Ajustement aiguille des minutes
Minutenzeigerpassung
Minute hand fitting



Heures / minutes / secondes
Stunden / Minuten / Sekunden
Hours / minutes / seconds

Aiguillage no ZeigerwerkhöheNr. Hand fitting height No	Dépassement Höhe über Zifferblattaufgabe Height over dial seat			Longueur Länge Length		Epaisseur max. (peinture comprise) Max. Dicke (inkl. Farbe) Max. thickness (paint included)			
	Pignon des secondes Sekundentrieb Second pinion	Chaussée Minutenrohr Cannon-pinion	Roue des heures Stundenrad Hour wheel		Roue des heures Stundenrad Hour wheel	Cadran Zifferblatt Dial		Aiguilles Zeiger Hands	
	G	E	F	H	B	Sous l'aiguille des secondes Unter Sekundenzeiger Under second hand	Sous l'aiguille des minutes Unter Minutenzeiger Under minute hand	Sous l'aiguille des heures Unter Stundenzeiger Under hour hand	
6	2.31	1.98	1.58	1.19	2.58	1.80	1.55	0.40	0.15

	Aig. des secondes Sekundenzeiger Second hand	Aig. des minutes Minutenzeiger Minute hand	Aig. des heures Stundenzeiger Hour hand	Lors de la pose d'aiguilles, le mouvement doit être soutenu. Beim Zeigersetzen muss das Werk abgestützt werden. The movement needs to be supported for hand setting.
mg max.	10	30	30	Masse / Masse / Weight *
µNm max.	0.08	0.70	0.70	Balourd / Unwucht / Unbalance *
gmm ² max.	0.4	-	-	Inertie / Massenträgheit / Inertia *
N max.	30	40	40	Force de chassage / Aufpresskraft / Force

Sous réserve de toutes modifications

Aenderungen vorbehalten

All modifications reserved

Aiguillages Zeigerwerkhöhen Hand fitting heights	10½", 11½"		Issued	23 Mai 2011	dh
			Modified	24 Mai 2011 ÄA 11034	dh
			Released	Yes	
			Tolerance	µm	
			Scale	20 : 1 (A3H)	
RONDA	507, 509, 517, 519 505.24D, 515.24D		Sous réserve de modifications Aenderungen vorbehalten Modifications reserved		
	No.	3316.157			00

* En cas de données différentes, veuillez contacter le service après-vente

* Bei abweichenden Werten, bitte technischen Kundendienst anfragen

* In case of different values, please contact the customer service

RONDA powertech

- 505.24D/515.24D
- 505.24H/515.24H
- 507/517
- 509/519

You have decided to buy a watch, which was assembled by a watchmaker using a Ronda movement. Please note that no watches are produced or distributed under the Ronda brand.

In case of repairs, guarantee claims and questions concerning the functioning of a watch, purchasers and consumers should contact their retailer or the watch manufacturer, for which the relevant information can be found in the sales or guarantee documentation provided with the watch.



Cal. 505.24D / 515.24D

Pos. I Position of rest (watch running)

Pos. II Quick-change correction of the date

The date can also be corrected during the day-changing phase between 10 pm and midnight. The date of the following day has to be set, because no automatic date change takes place at midnight.

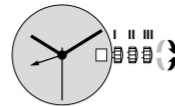
- Pull the crown out to position II (watch still running).
- Turn the crown clockwise until the required date appears.
- Push the crown back into position I.

Quick-change correction for 24-hour display

- Pull the crown out to position II (watch still running).
- Turn the crown anticlockwise until the desired time appears.
- Push the crown back into position I.

Pos. III Setting the time

- Pull the crown out to position III (watch stopped).
- Turn the crown, until the current time is displayed (remember the 24-hour cycle).
- Push the crown back into position I.



Cal. 505.24H / 515.24H

Pos. I Position of rest (watch running)

Pos. II Quick-change correction of the date

The date can also be corrected during the day-changing phase between 10 pm and midnight. The date of the following day has to be set, because no automatic date change takes place at midnight.

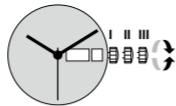
- Pull the crown out to position II (watch still running).
- Turn the crown clockwise until the required date appears.
- Push the crown back into position I.

Quick-change correction for 24-hour display

- Pull the crown out to position II (watch still running).
- Turn the crown anticlockwise until the desired time appears.
- Push the crown back into position I.

Pos. III Setting the time

- Pull the crown out to position III (watch stopped).
- Turn the crown, until the current time is displayed (remember the 24-hour cycle).
- Push the crown back into position I.



Cal. 507 / 517

Pos. I Position of rest (watch running)

Pos. II Quick-change correction of the date

The date can also be corrected during the day-changing phase between 10 pm and midnight. The date of the following day has to be set, because no automatic date change takes place at midnight.

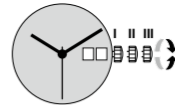
- Pull the crown out to position II (watch still running).
- Turn the crown until the required date appears.
- Push the crown back into position I.

Quick-change correction for day of the week

The blocking time for the day of the week quick-change correction is from approx. 10 pm and midnight.

- The second language always first appears around 24.00hrs for about 2 hours, until the display changes to the required language.
- Pull the crown out to position II (watch still running).
- Turn crown anticlockwise until the desired day of the week appears in the required language.
- Push the crown back into position.





Cal. 507 / 517

Pos. III Setting the time

- Pull the crown out to position III (watch stopped).
- Turn the crown, until the current time is displayed (remember the 24-hour cycle).
- Push the crown back into position I.

Cal. 509 / 519

Pos. I Position of rest (watch running)

Pos. II Quick-change correction of the date

The date display comprises a 2-disc system. For construction reasons, on the first day of a new month, the date must be set on 01 via the quick-change method passing through 31–39.

The date can also be changed during the day-changing phase between approx. 10 pm and midnight. The date of the following day has to be set, because no automatic date change takes place at midnight.

- Pull the crown out to position II (watch still running).
- Turn the crown clockwise until the required date appears.
- Push the crown back into position I.

Pos. III Setting the time

- Pull the crown out to position III (watch stopped).
- Turn the crown, until the current time is displayed (remember the 24-hour cycle).
- Push the crown back into position I.

Applies to all calibers:

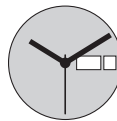
Battery type: 371/SR920SW (Ø 9.5 mm x 2.05 mm)

Accuracy: +20/-10 seconds per month

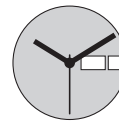




11 1/2^{mm}



517



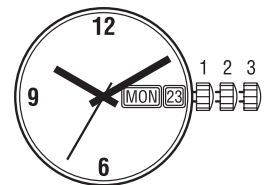
517S

Funktionen

Fonctions

Functions

Kaliber	Stellwellenpos.	Funktionen
Calibre	Pos. de tige	Fonctions
Caliber	Stem position	Functions
517	1	Normale Position / Position normale / Running position
	2	Datum- + Wochentagkorrektur / Correction de la date et du jour / Date + day correction Zeiger stellen, Sekunden-Stopp mit Unterbruch der Motorimpulse
	3	Mise à l'heure, stop-seconde avec interruption des impulsions moteur Hand setting, stop-second with interruption of motor pulses



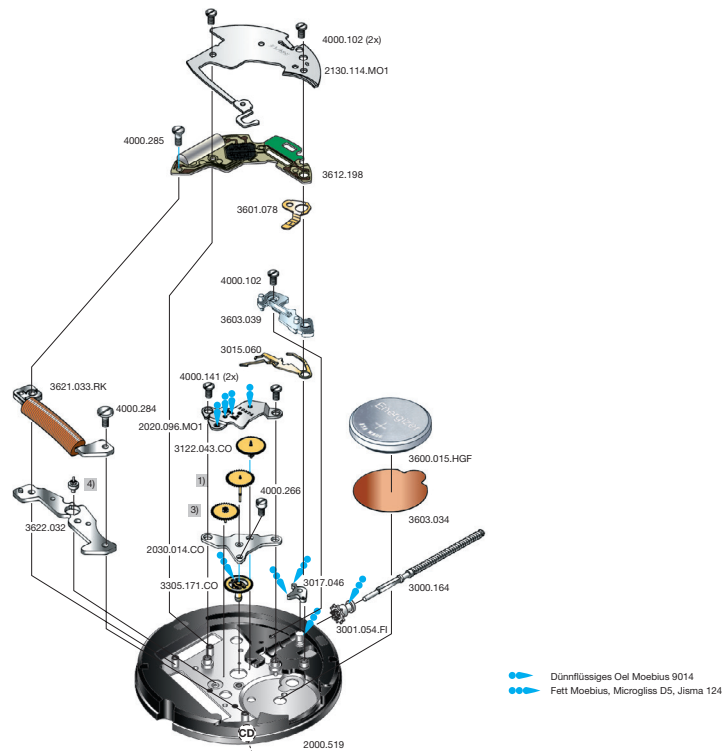
Batterie

Pile

Battery

Kaliber	Batterie	Spannung	Artikelnummer RONDA
Calibre	Pile	Voltage	Numero d'article RONDA
Caliber	Battery	Tension	Part number RONDA
517	371/SR920SW	1.55 V	3600.015.HGF

11 1/2''' 517, 517S



Code: Beispiel CD / exemple CD / exemple CD

Plan No.	Bestandteile	Fournitures	Spare Parts
2000.519	Werkplatte	Platine	Main plate
2020.096.MO1	Räderwerkbrücke	Pont rouage	Train w. bridge
2030.014.CO	Zentrumbrücke	Pont centre	Centre bridge
2130.114.MO1	Modul-Abdeckp.	Couvre module	Module cover pl.
3000.164	Stellwelle	Tige	Stem
3001.054.FI	Kupplungstrieb	Pignon coulant	Sliding pinion
3015.060	Kuppl.-triebhebel	Bascule	Yoke
3017.046	Winkelhebel	Tirette	Setting lever
3122.043.CO	Kleinbodenrad	Roue moyenne	Third wheel
1)	Sekundenrad	Roue secondes	Second-wheel
3)	Zwischenrad	Roue interméd.	Intermed. wheel
3305.171.CO	Minutenrohr	Chaussée	Cannon pinion
3600.015.HGF	Batterie	Pile	Battery
3601.078	Batterie-Kontakt	Bride contact	Battery contact
3603.034	Batterie-Isolation	Isolateur pile	Battery insulation
3603.039	Deckplatte/ Ste.	Couvre mécan.	Setting lev. cover
3612.198	Modul	Module	Module
3621.033.RK	Spule	Bobine	Coil
3622.032	Stator	Stator	Stator
4)	Rotor	Rotor	Rotor
4000.102	Schraube	Vis	Screw
4000.141	Schraube	Vis	Screw
4000.266	Schraube	Vis	Screw
4000.284	Schraube	Vis	Screw
4000.285	Schraube	Vis	Screw

Cal. 517

Bis Juni 2015 Jusqu' en Juin 2015 Untill June 2015	Ab Juli 2015 A partir de Juillet 2015 From July 2015
--	--

Code	2. Buchstabe ... C Second letter ... C 2 ^{ème} chiffre: ... C	2. Buchstabe: ab D Second letter: from D 2 ^{ème} chiffre: à partir de D
1)	3136.090.CO	3136.194.CO
3)	3147.019.CO	3147.092.CO
4)	3715.089.RK	3715.144.RK

Die obigen 3 Teile bilden jeweils eine Gruppe. Deshalb sind die 3 Teile jeder Gruppe nicht einzeln gegeneinander austauschbar.

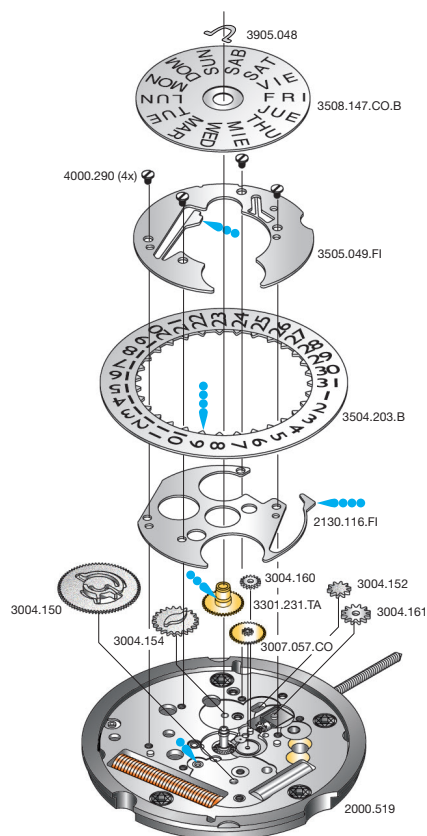
Les 3 fournitures ci-dessous forment un groupe individuel. C'est pourquoi les 3 fournitures de chaque groupe ne sont pas interchangeables.




The 3 parts mentioned above are forming an individual group. Therefore the 3 parts of each group are not interchangeable.

Abweichungen / Divergences / Deviations

Plan No.	Bestandteile	Fournitures	Spare Parts
3612.199	Modul	Module	Module
3621.036.RK	Spule	Bobine	Coil

11 1/2''' 517, 517S



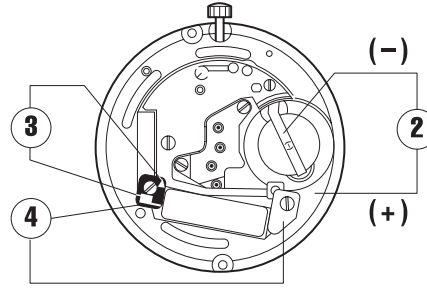
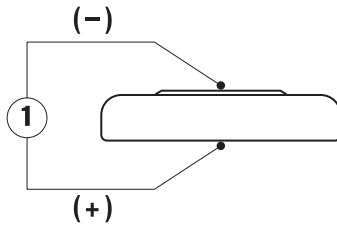
-  Dünnflüssiges Öl Moebius 9014
-  Moebius 9020
-  Fett Moebius, Microgliss I 4

Cal. 517 Zifferblattseite / Côté cadran / Dial side			
Plan No.	Bestandteile	Fournitures	Spare Parts
2130.116.FI	Kalenderplatte	Plaque calendrier	Date ind. plate
3004.150	Datummitn.-rad	Renvoi entraî.	Ind. driving wheel
3004.152	Umkehrad	Baladeur	Sliding gear
3004.154	Korrekturrad	Roue corr. disque	Correction wheel
3004.160	Zeigerstellrad	Renvoi minuterie	Setting wheel
3004.161	Verbindungsrad-Kupplungtrieb	Renvoi pig. coulant	Sliding pinon setting wheel
3007.057.CO	Wechselrad	Minuterie	Minute wheel
3301.231.TA	Stundenrad	Canon	Hour wheel
3504.203.B	Datumanzeiger	Bague	Date indicator
3505.049.FI	Kal.-Abdeckplatte	Couvercle calend.	Date ind. cover
3508.147.CO.B	Tagesscheibe	Disque jour	Day indicator
3905.048	Klem. f. Dat.sch.	Clavette disque	Date ind. spr. clip
4000.290	Schraube	Vis	Screw

Elektr. Messungen

Contrôles électriques

Electrical checking



Kaliber Calibre Caliber	Pos. Pos. Pos.	Einheit Unité Unit	Messwerte Valeurs mesurées Measured values	Kontrolle Contrôle Check	Bemerkungen Remarques Remarks
517, 517S	1	V	1,55	Batterie-Spannung Tension de la pile Battery voltage	Batterie herausnehmen und messen Enlever et mesurer la pile Remove battery for measuring
517 517S	2	µA	1,10–1,85 2,20–2,65	Stromaufnahme Consom. de courant Power consumption	Ohne Batterie, mit externer Speisung Sans pile, avec alimentation externe Without battery, with external power supply
517, 517S	2	V	≤ 1,30	Funktionskontrolle bei Minimalspannung Contrôle de fonctionnement à tension minimale Check with lowest possible voltage	Ohne Batterie, mit externer Speisung Sans pile, avec alimentation externe Without battery, with external power supply
517 517S	3	KΩ	1,90–2,10 2,35–2,55	Spulenwiderstand Résistance de la bobine Resistance of the coil	Ohne Batterie Sans pile Without battery
517, 517S	4	KΩ	∞	Spulenisolation Isolation de la bobine Coil insulation	Ohne Batterie Sans pile Without battery
517, 517S		Sek./Monat sec./mois sec./month	- 10/+ 20	Induktivsonde 60 Sek. Senseur inductif 60 sec. Inductive sensor 60 sec.	Mit Batterie Avec pile With battery

Einschalen / Werkzeuge

Emboîtage / outils

Casing / tools

Nr. H 51X.1A



Nr. H 51X.1T



SWISS MADE & SWISS PARTS

Schraube
Vis
Screw



Zeigersetzen

Maximale Aufpresskraft:

- Stunden und Minutenzeiger: max. 40N
- Sekundenzeiger: max. 30N

Beim Zeigersetzen muss das Werk abgestützt werden.

Poser les aiguilles

Force de chassage maximale:

- Aiguilles des heure et des minutes: max. 40N
- Aiguille des secondes: max. 30N

Lors de la pose d'aiguilles, le mouvement doit être soutenu.

Hand setting

Maximal force:

- Hour and minute hands: max. 40N
- Second hand: max. 30N

The movement needs to be supported for hand setting.

Kal. 517 Stellwelle entfernen

Beim Entfernen der Stellwelle muss sich die Stellwelle in **Position 2** befinden, bevor auf den Winkelhebel gedrückt wird.

Cal. 517 Enlever la tige

Enlevant la tige, la tige doit se trouver en **position 2**, avant de pousser sur la tirette.

Cal. 517 Stem removal

For removal of the stem, the stem must be in **position 2** prior to apply pressure to the setting lever.