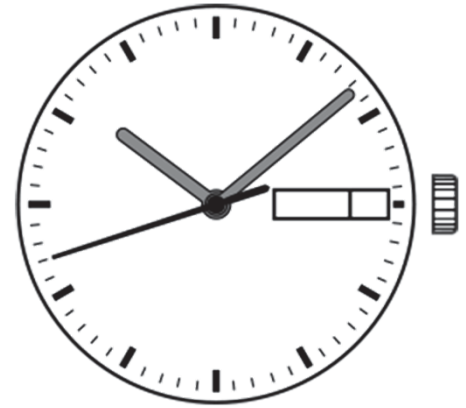


Watch Movement Specification and Drawing

Standard Movement

PC33A



Movement Size: **10 1/2"**
 Diameter: **Φ23.70mm**
 Height: **4.15mm**

Items	Ver.	Items	Ver.
Specification	1	Dial - 9	1
Appearance	1	Dial - 10	1
Casing	1	Dial - 11	1
Hand Fitting	1	Dial - 12	1
Hand Setting Stem	1	Casing Ring - 1	1
Dial - 1	1	Casing Ring - 2	1
Dial - 2	1	Assembly Plan	1
Dial - 3	1	Hands	1
Dial - 4	1		
Dial - 5	1		
Dial - 6	1		
Dial - 7	1		
Dial - 8	1		

CAL.PC33A 10½ Ligne Quartz Movement

Three Hands with Day & Date

1. FUNCTION

- Jewel 0 jewel
- Accuracy Less than ± 30 seconds / month (Normal temperature range)
- Battery life Approx. 3 years
- Regulation hands unbalance
 - Hour hand : Less than $0.30 \mu\text{N}\cdot\text{m}$ (30 mg·mm)
 - Minute hand : Less than $0.30 \mu\text{N}\cdot\text{m}$ (30 mg·mm)
 - Second hand : Less than $0.07 \mu\text{N}\cdot\text{m}$ (7 mg·mm)
- Additional function Day & Date display with quick date correction

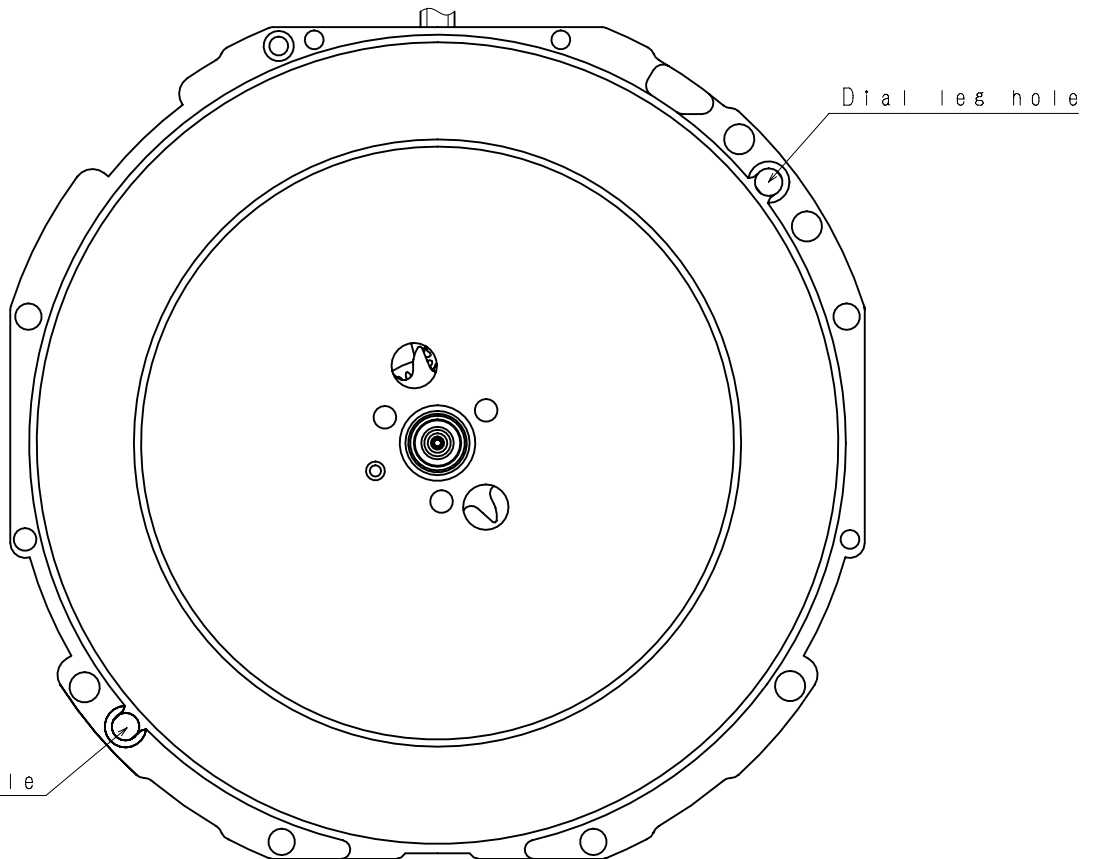
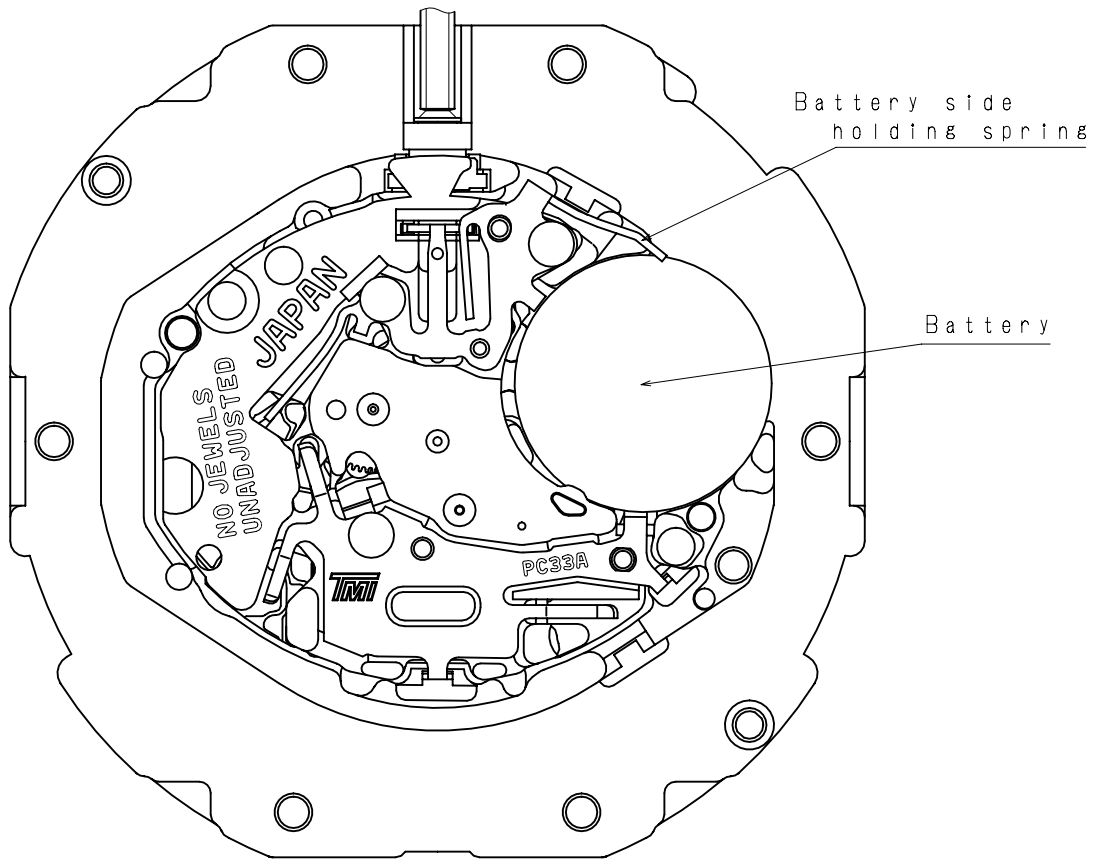
2. USE AND TEST CONDITION

- Battery SR626SW (Recommended battery is SEIZAIKEN)
- Operation temperature range From $-5\text{ }^{\circ}\text{C}$ to $+50\text{ }^{\circ}\text{C}$
- Antimagnetic $\geq 1600\text{ A / m}$ (Direct current magnetic field)
- Test of accuracy 10 seconds (Duration of measurement)

*** All specifications are subject to change without notice.**

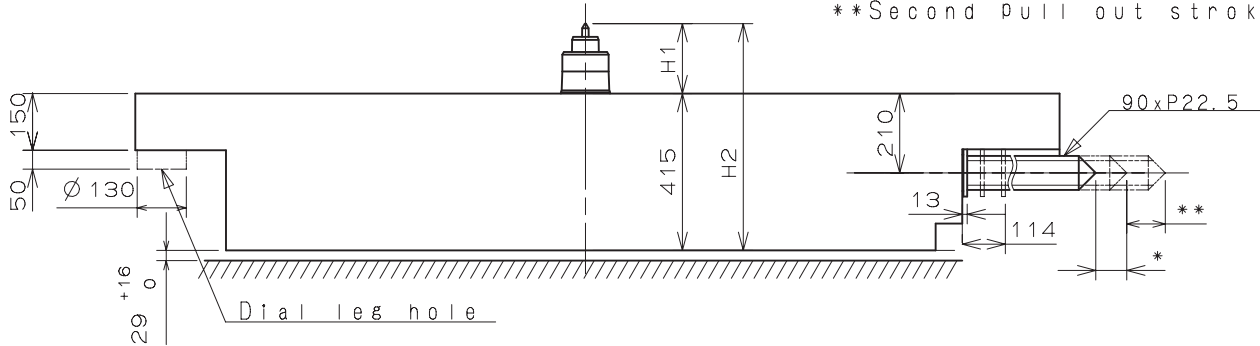
Appearance

PC33A



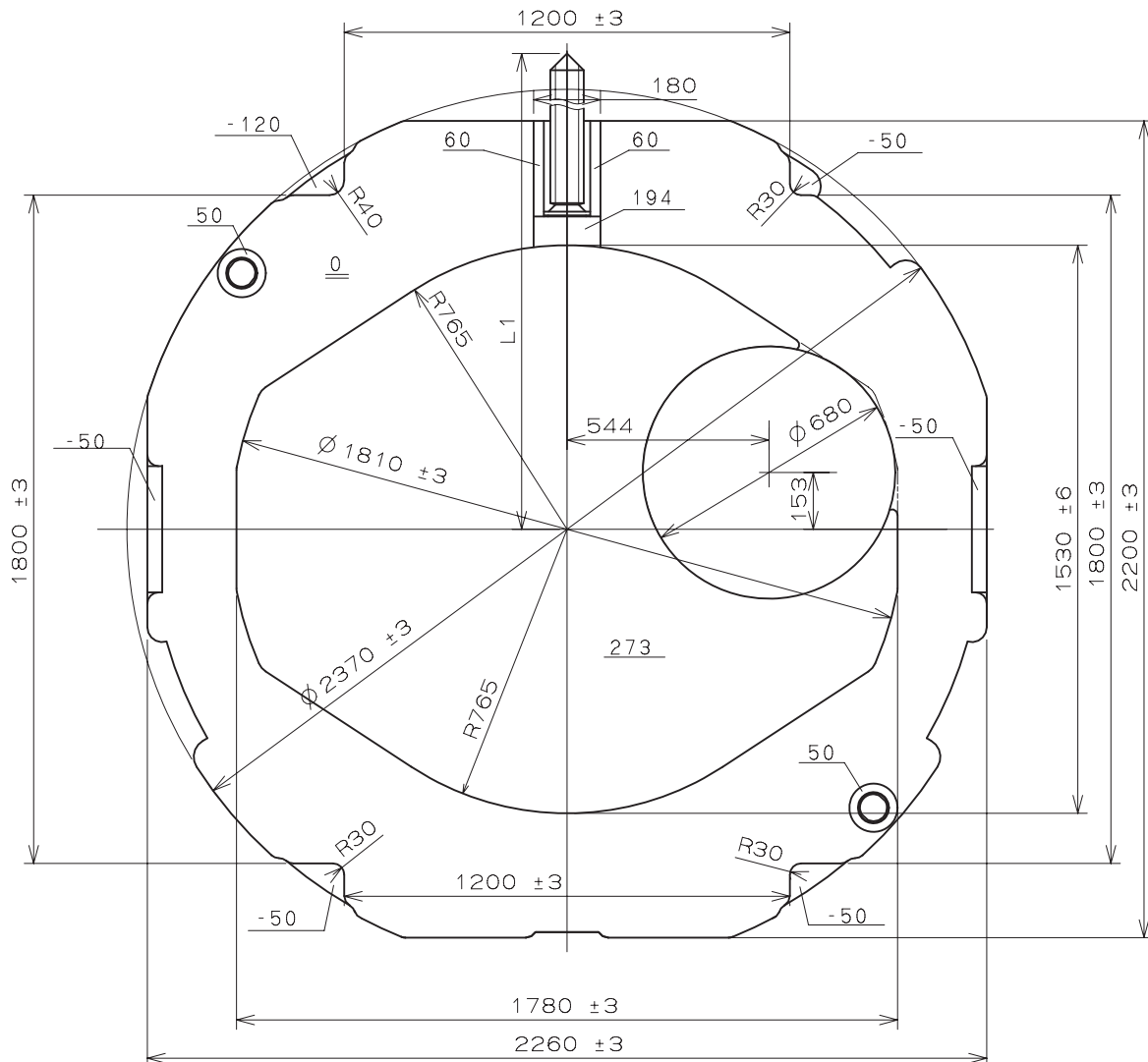
Battery Side Holding Spring Type

*First pull out stroke 45
 **Second pull out stroke 56

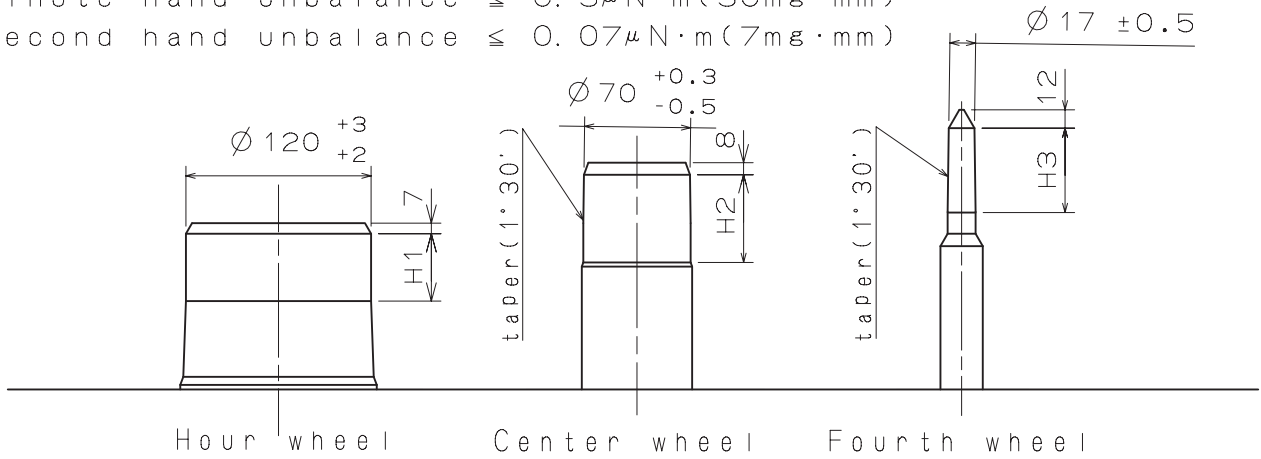


Center post 中心柱位		TYPE M 一般針高
Maximum height from main plate surface 與機芯平面的最大高度	H1	185
Total height incl. movement 機芯總高度	H2	600

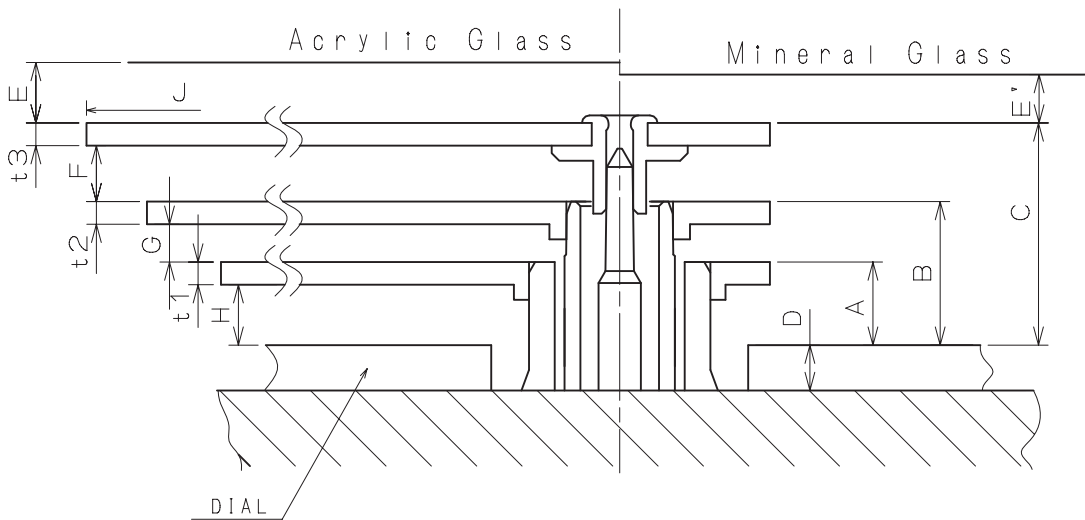
Hand Setting Stem	TYPE A
L1	2210.5



Hour hand unbalance $\leq 0.3 \mu\text{N}\cdot\text{m}$ (30mg·mm)
 Minute hand unbalance $\leq 0.3 \mu\text{N}\cdot\text{m}$ (30mg·mm)
 Second hand unbalance $\leq 0.07 \mu\text{N}\cdot\text{m}$ (7mg·mm)

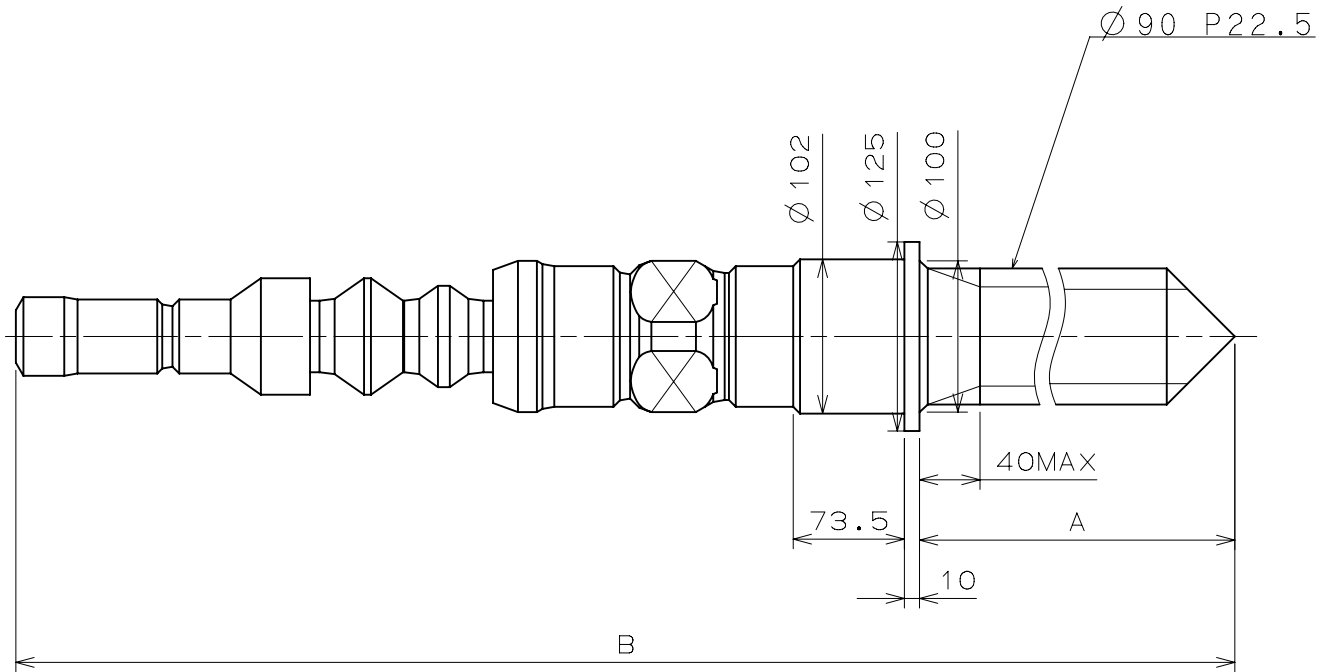


	Part No.			Dimension		
	Hour wheel 時針輪	Center wheel 分針輪	Fourth wheel 秒針輪	H1	H2	H3
TYPE M 一般針高	0271 322	0221 322	0241 310	43	61	55



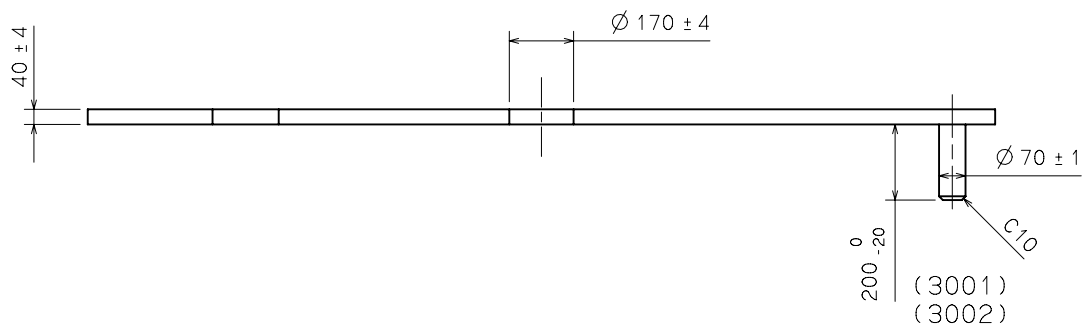
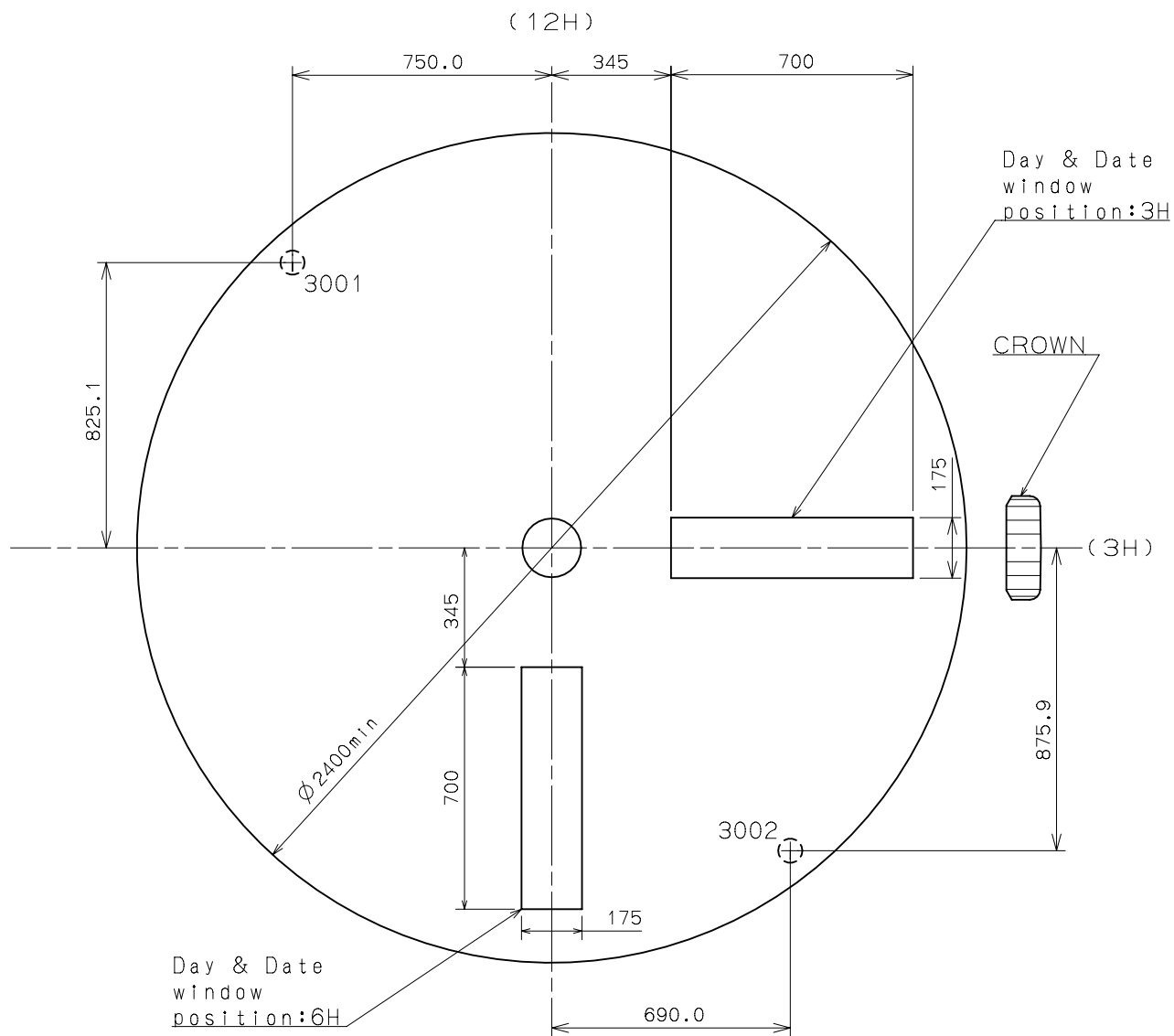
	A	B	C	D	E	E'	F	G	H	t1	t2	t3
TYPE M 一般針高	70	110	162	40	*	*	37	25	55	15	15	15

*	J		
	Max 800	800~850	850~
E'	Min 40	Min 45	Min 65
E	Min 48	Min 53	Min 73

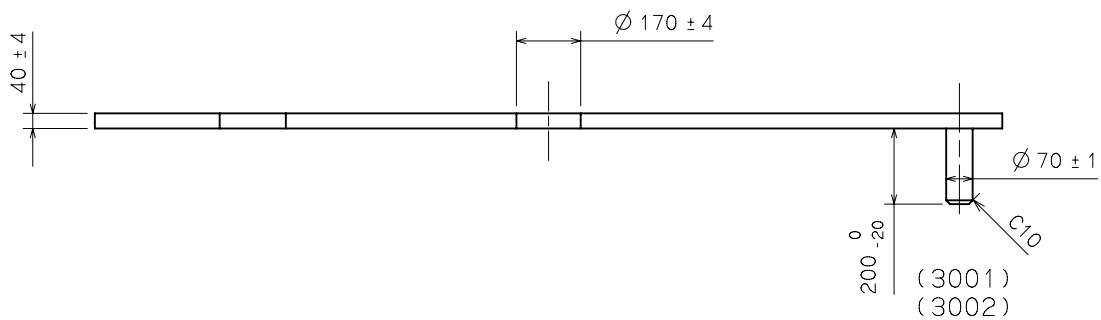
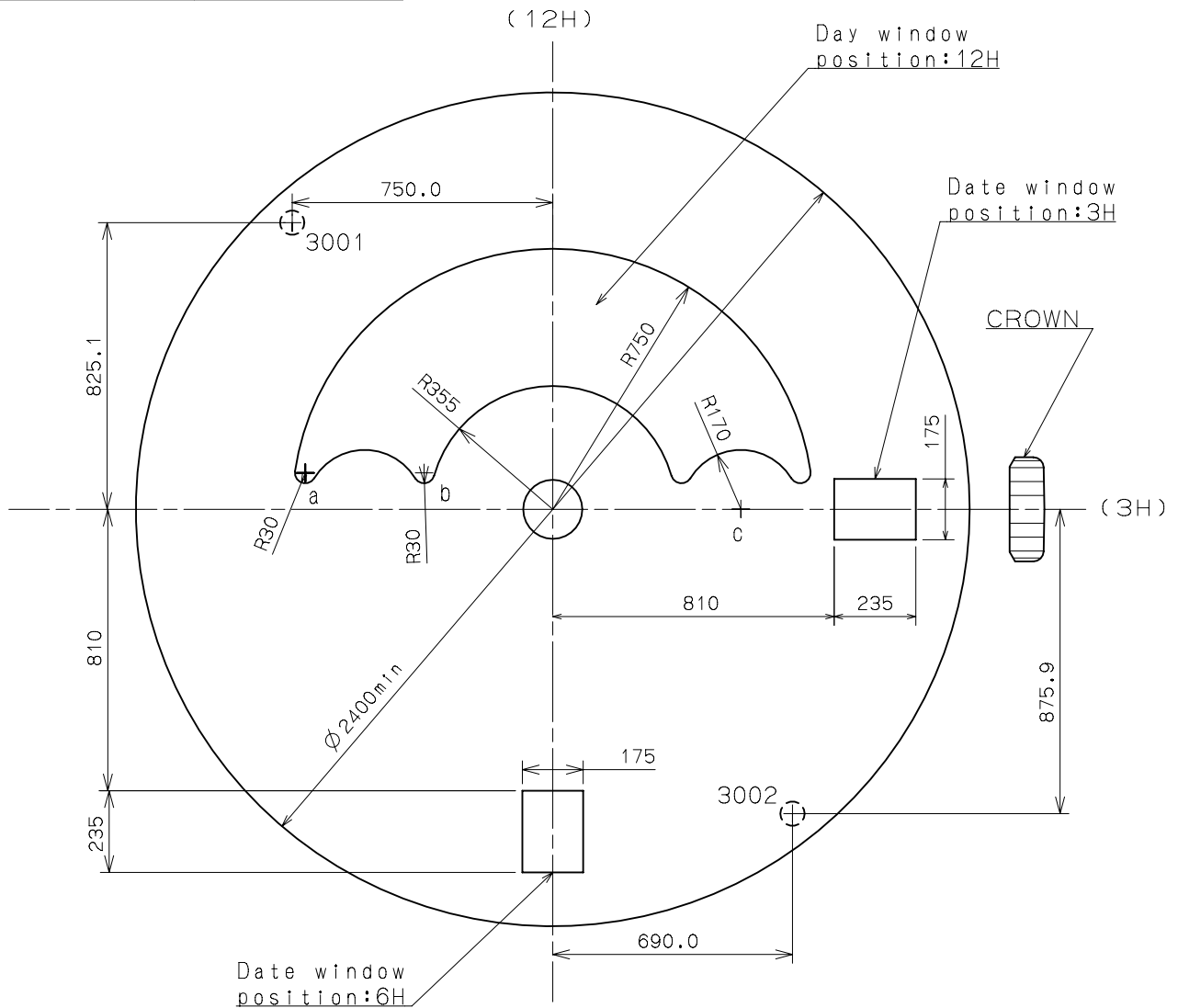


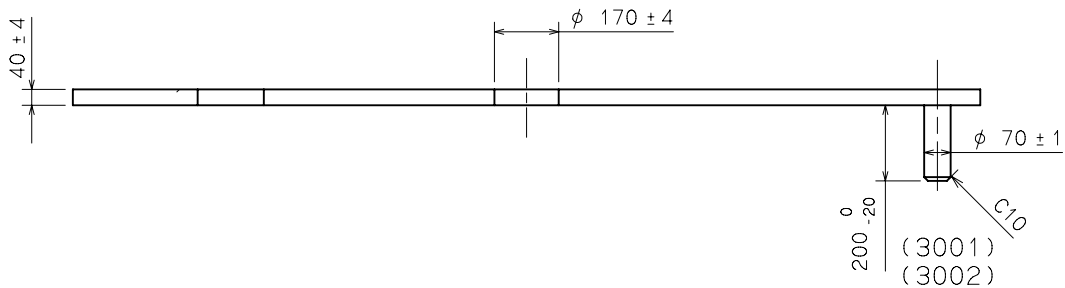
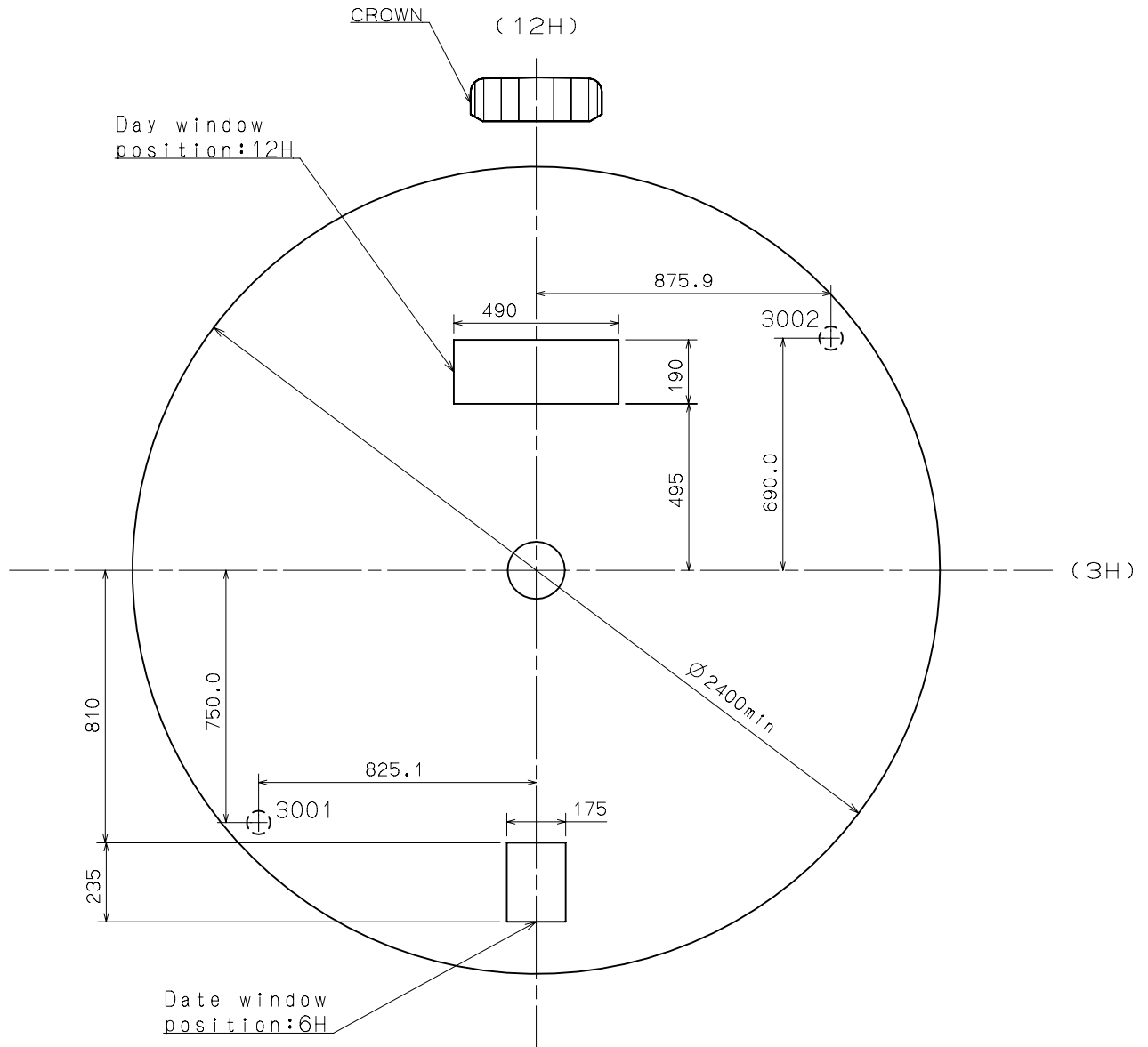
	Part No.	A	B
TYPE A	0354 300	1355	1952.5

Do not lubricate the hand setting stem.

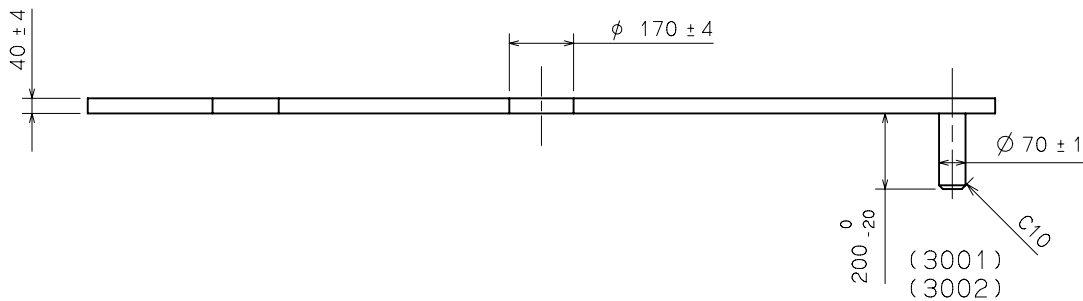
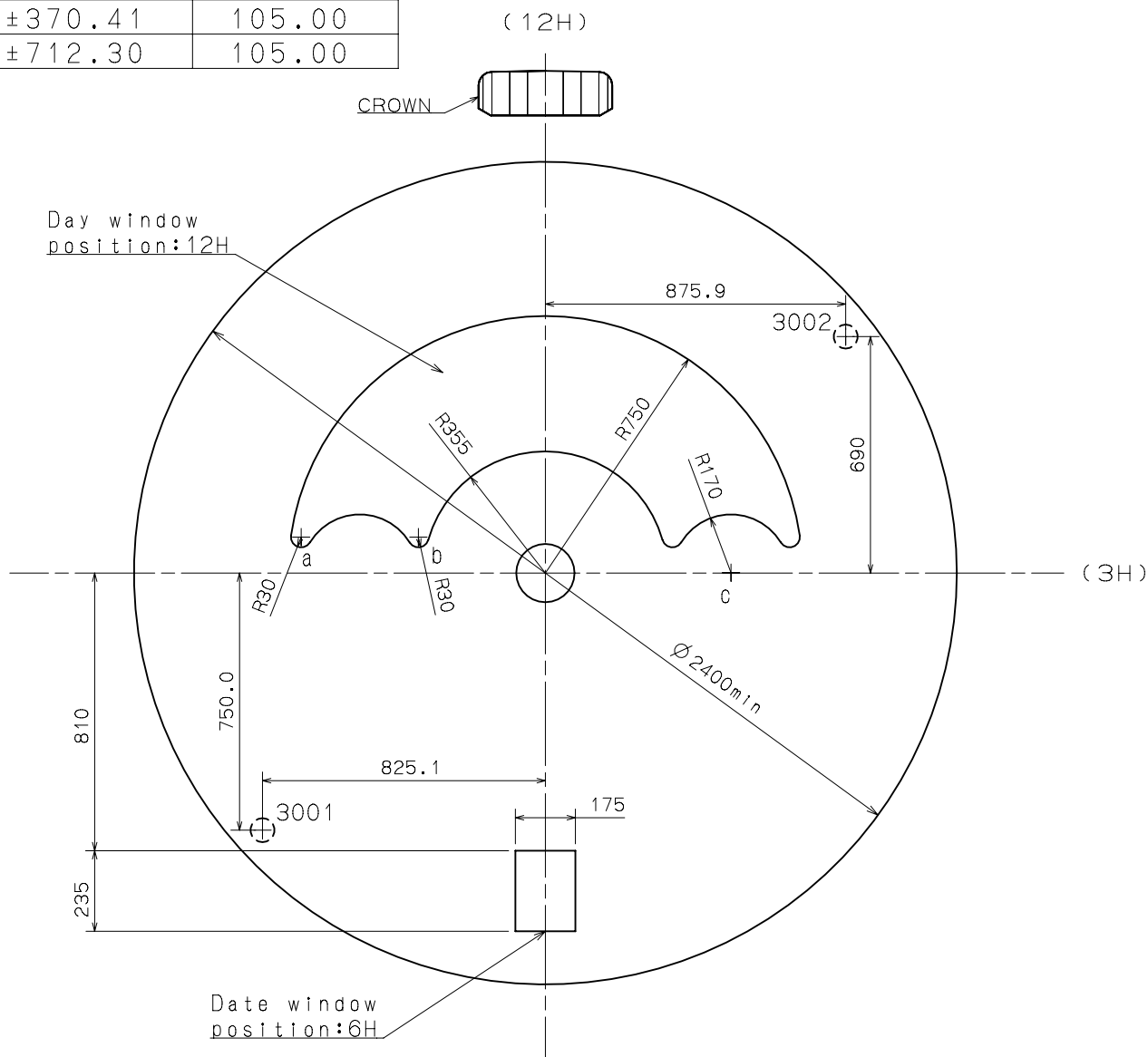


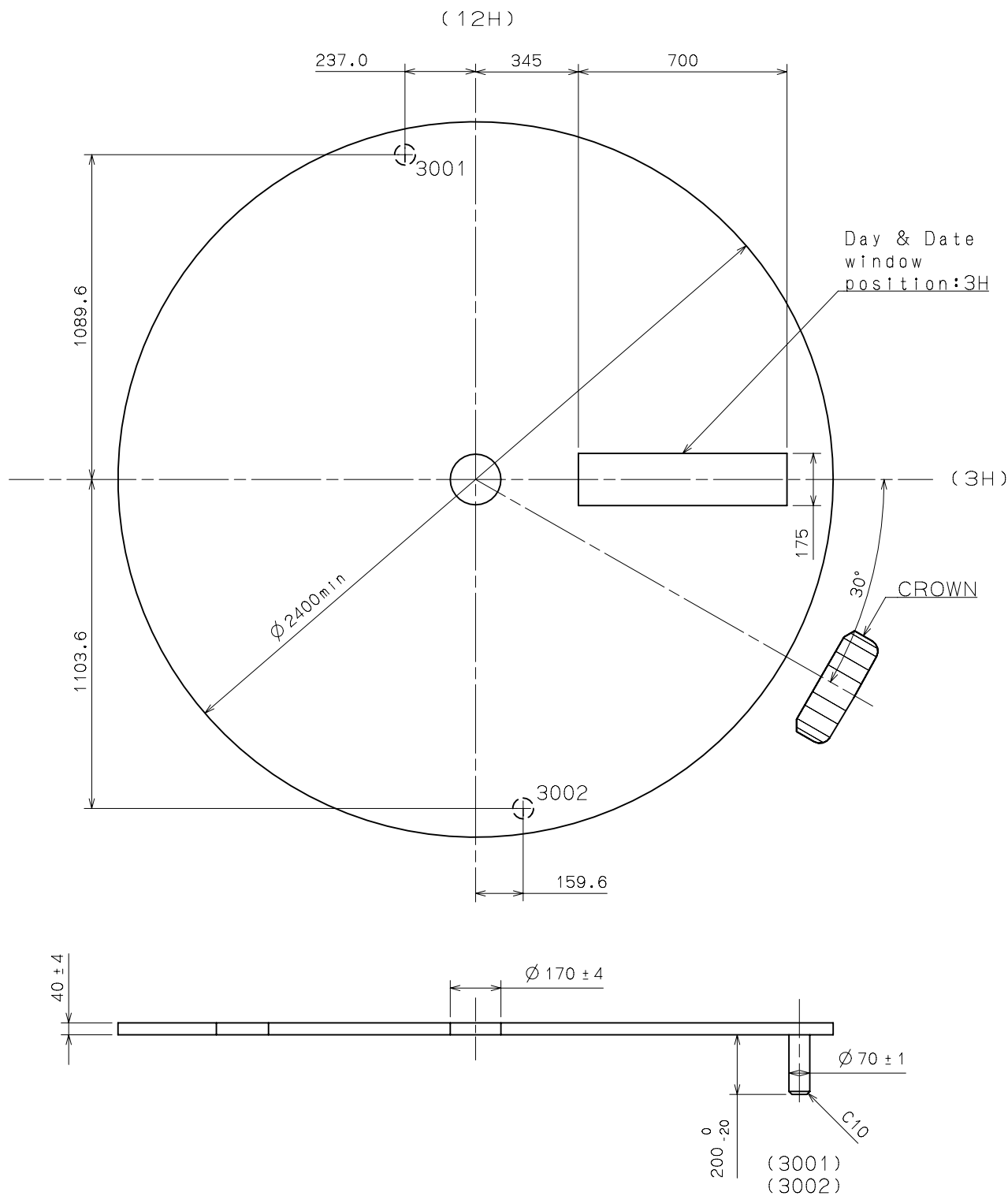
	X	Y
c	±541.35	1.19
b	±370.41	105.00
a	±712.30	105.00

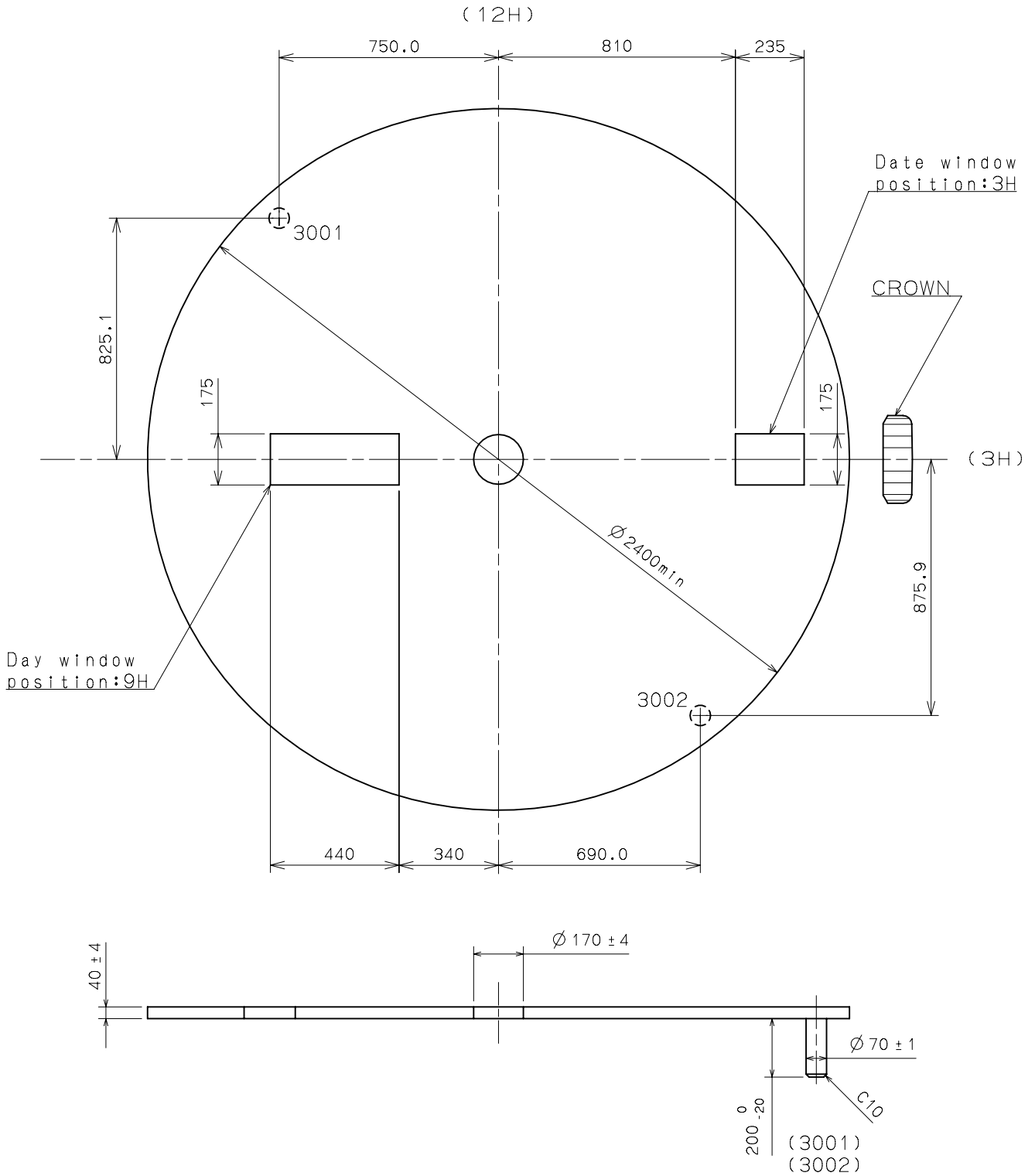


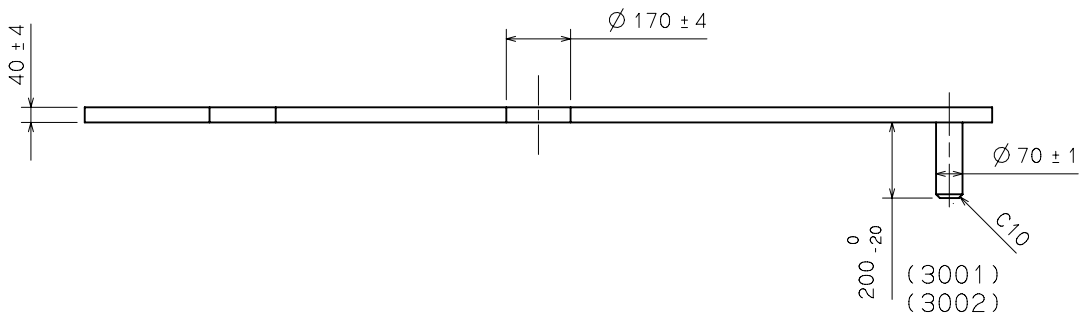
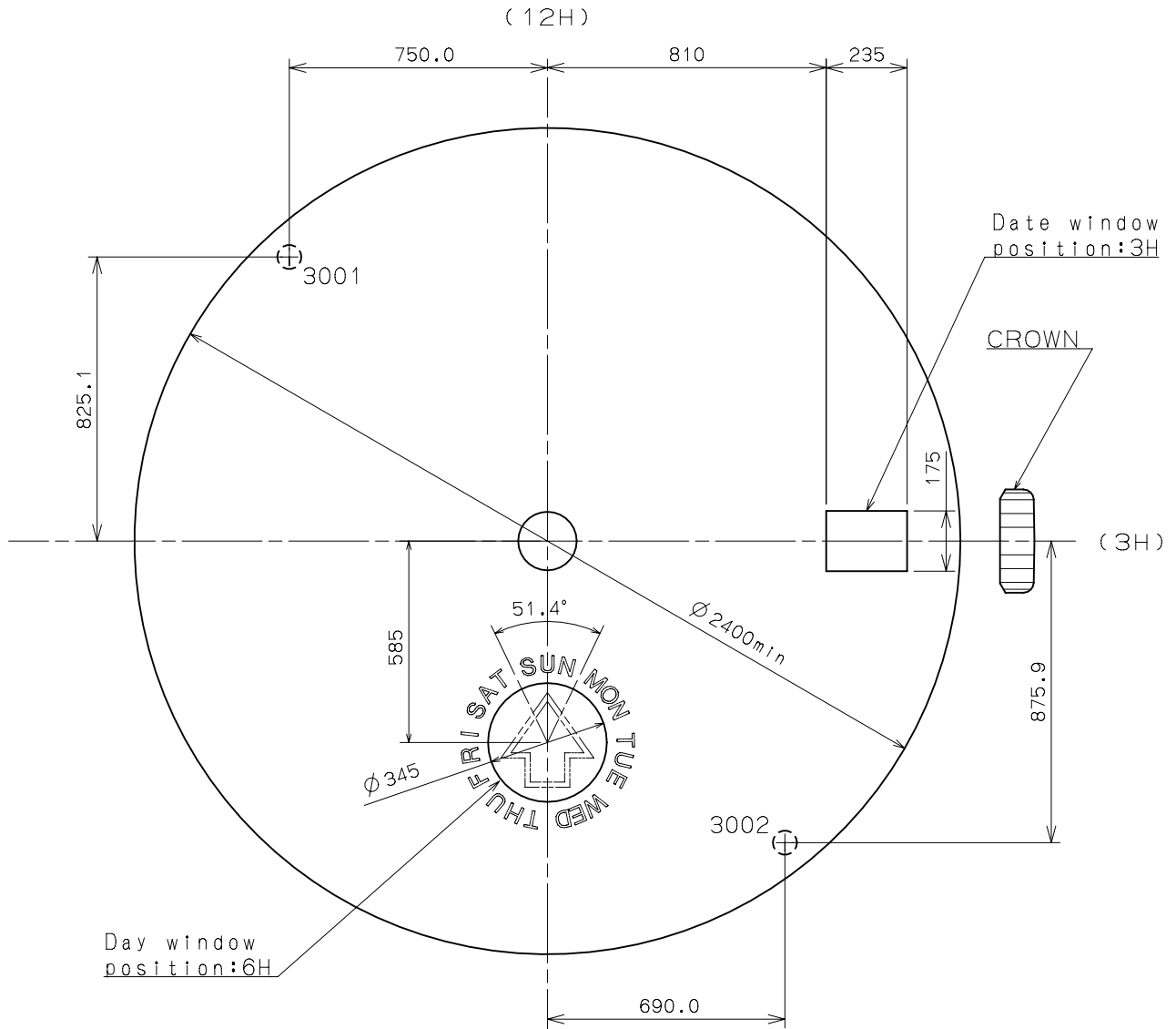


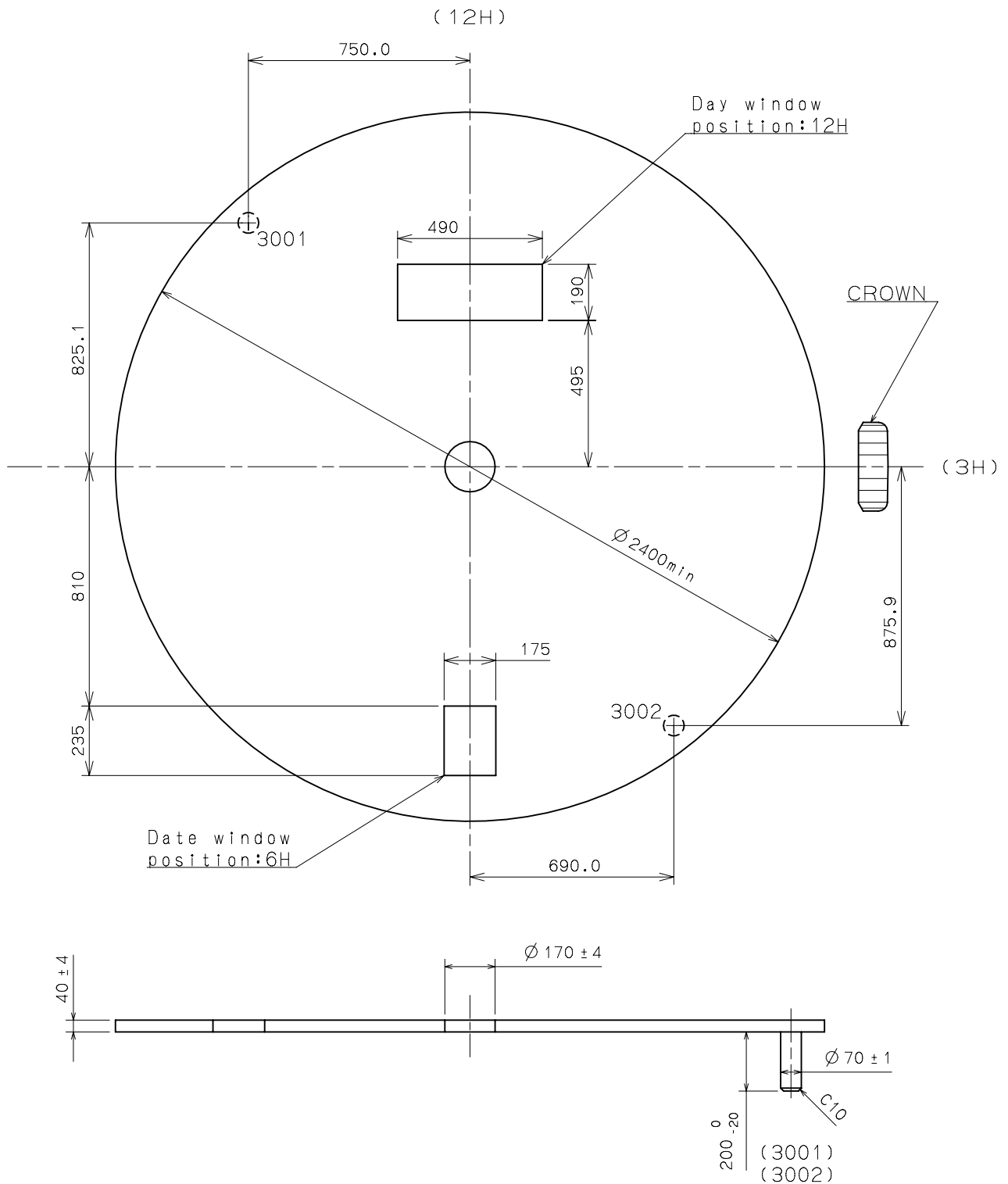
	X	Y
c	±541.35	1.19
b	±370.41	105.00
a	±712.30	105.00

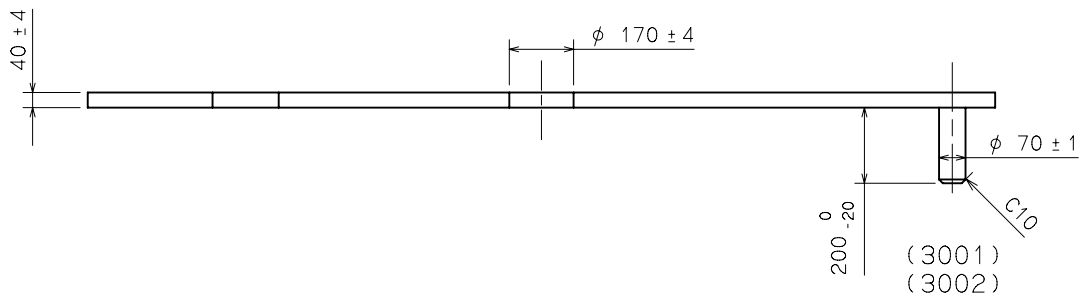
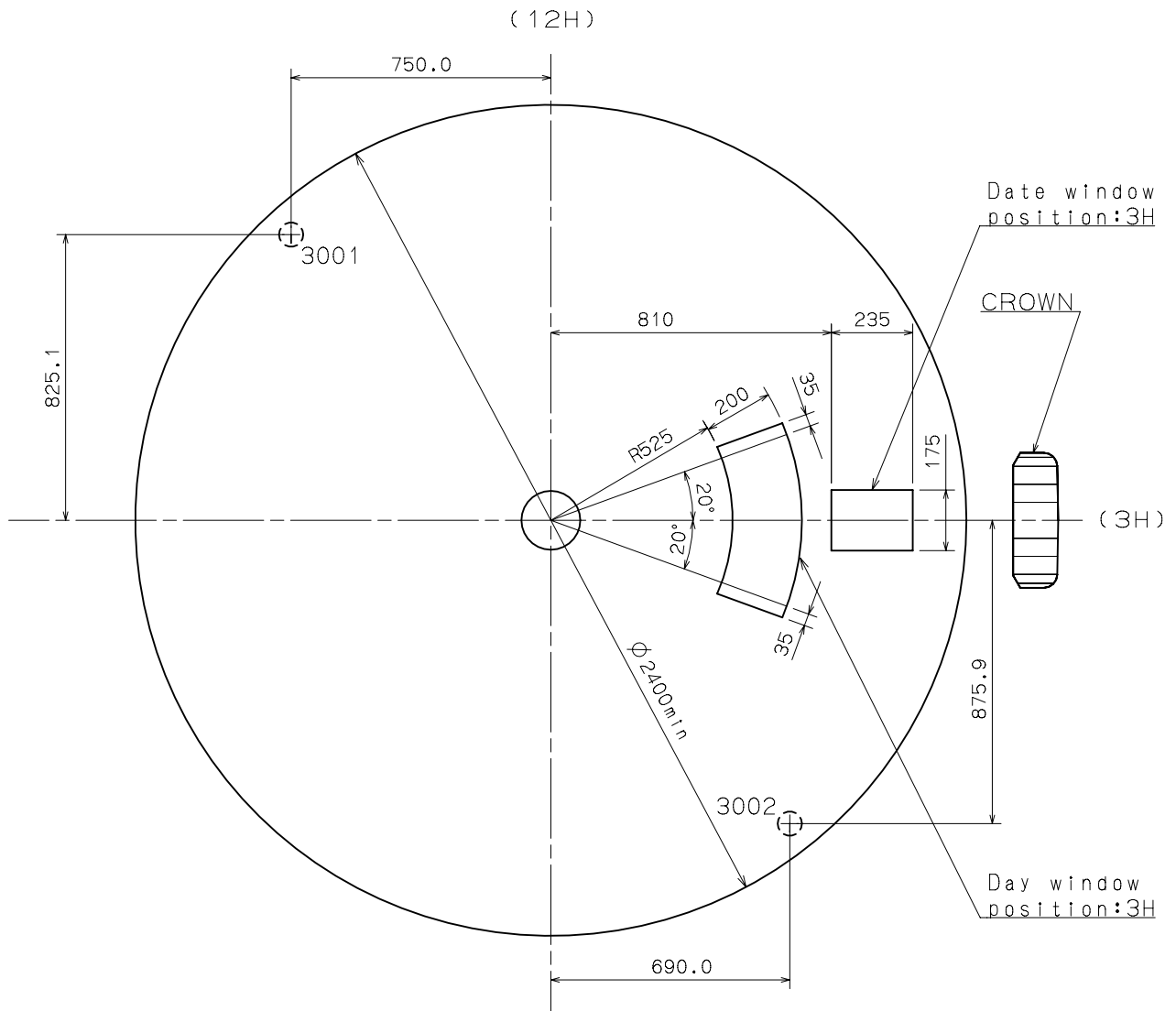


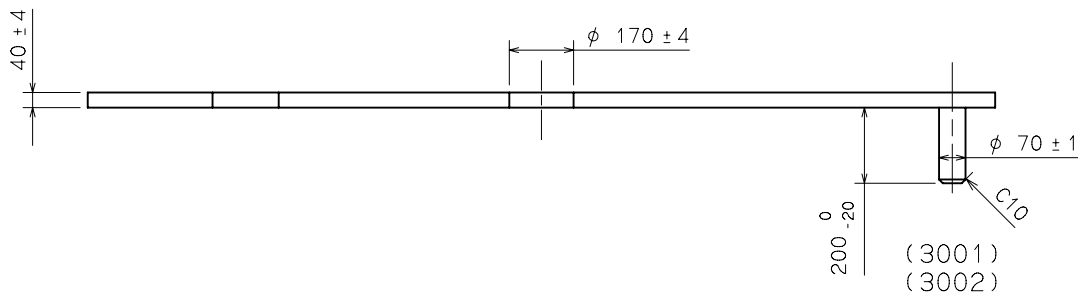
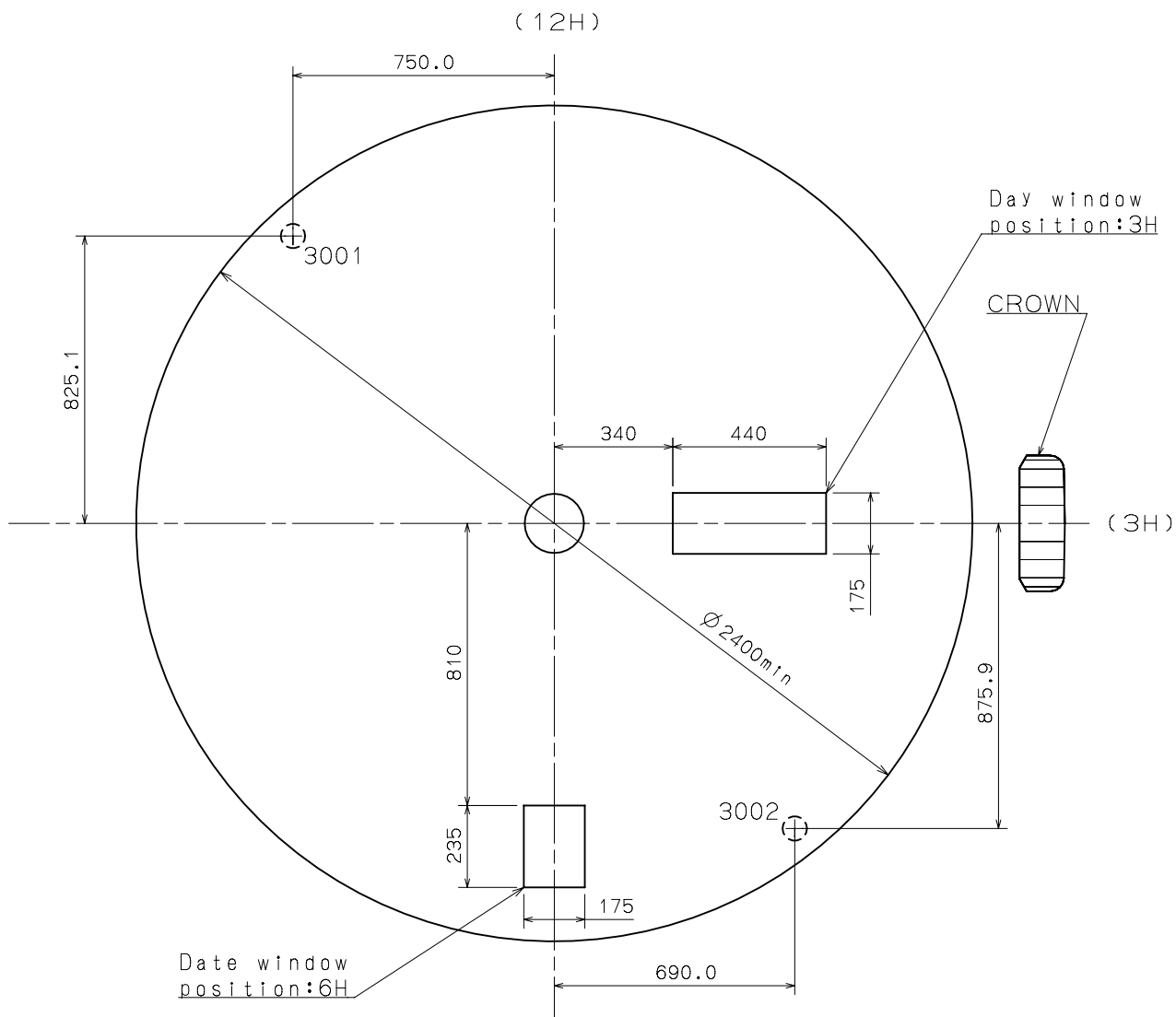


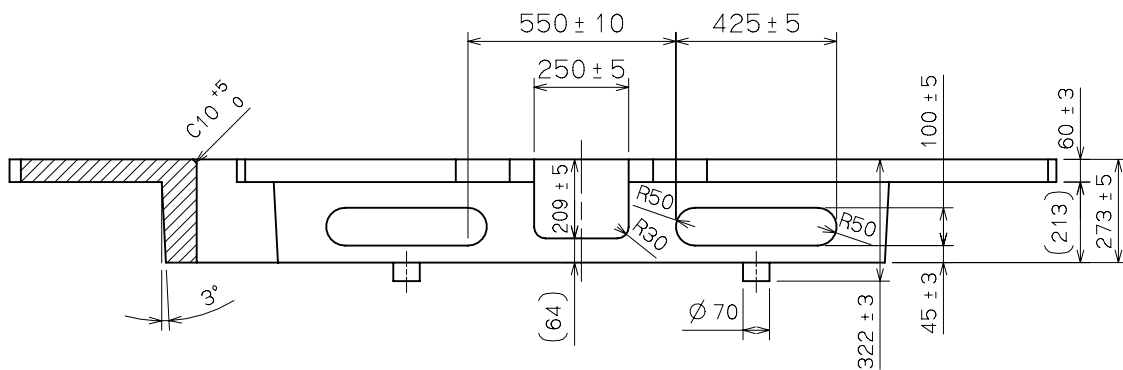
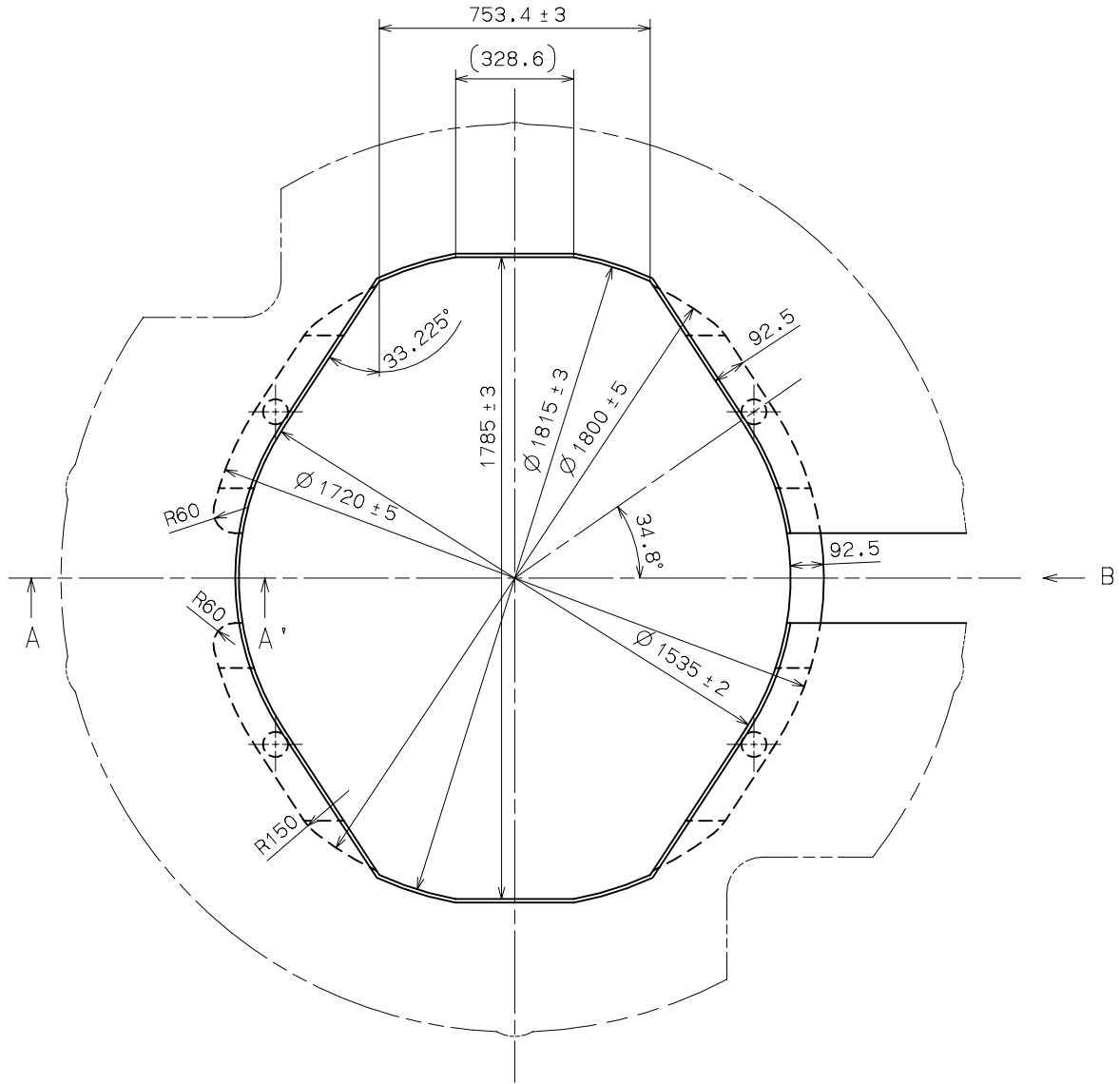












SECTIONAL VIEW of A-A'

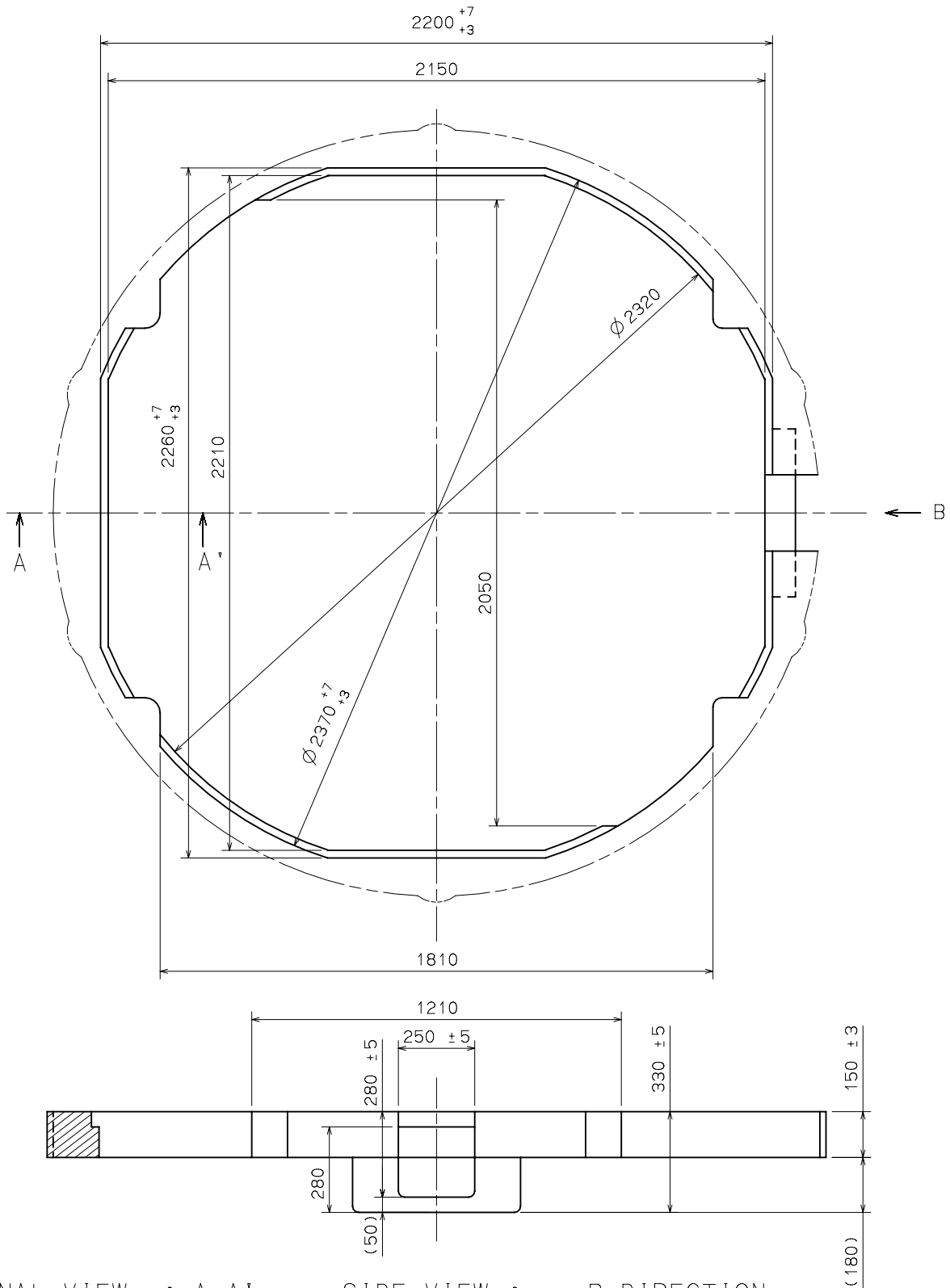
SIDE VIEW from B DIRECTION

Unit : 1=1/100mm

Version : 1

Casing Ring - 2

PC33A

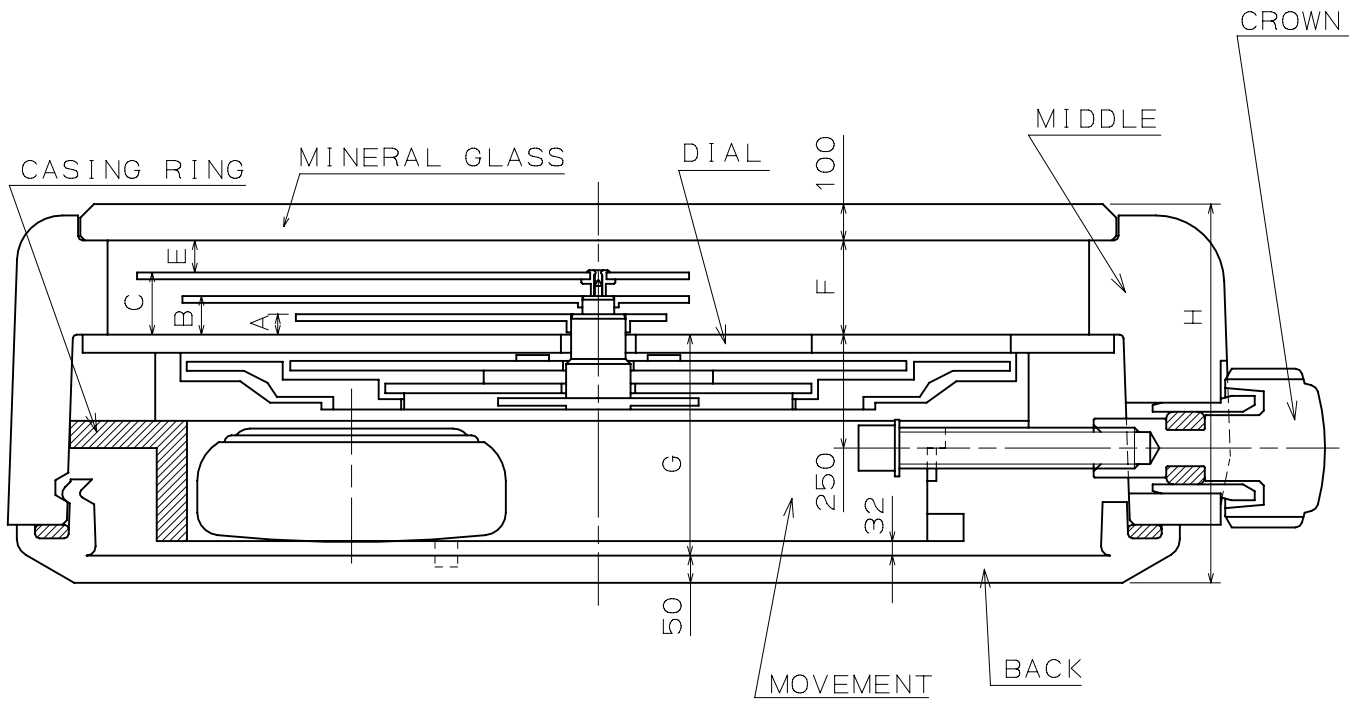


SECTIONAL VIEW of A-A'

SIDE VIEW from B DIRECTION

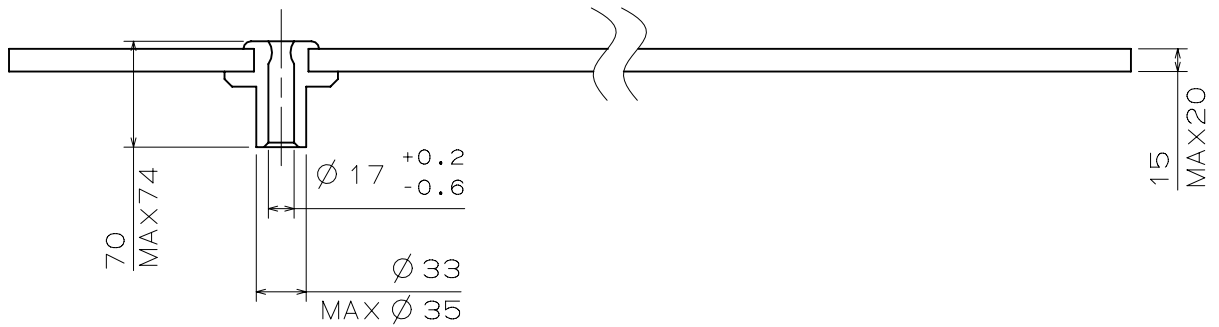
Unit : 1=1/100mm

Version : 1

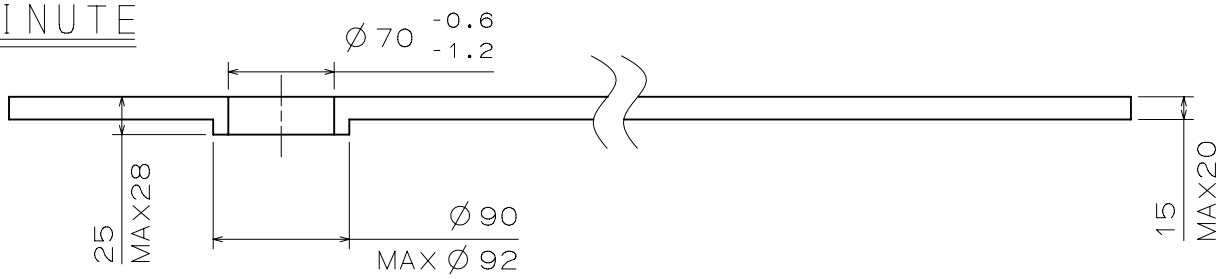


	A	B	C	D	E	F	G	H
TYPE M	70	110	162	40	65	227	487	864

SECOND



MINUTE



HOUR

